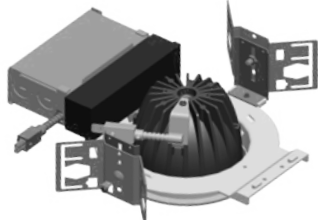


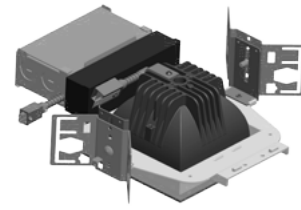
NDLED4 INSTALLATION INSTRUCTIONS



Thank you for buying RAB lighting fixtures. Our goal is to design the best quality products to get the job done right. We'd like to hear your comments. Call the Marketing Department at 888-RAB-1000 or email: marketing@rabweb.com



NDLED4R
Cut-Out Diameter: 5"



NDLED4S
Cut-Out: 5"x5"

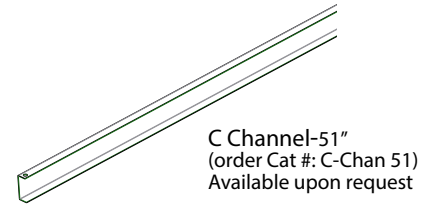
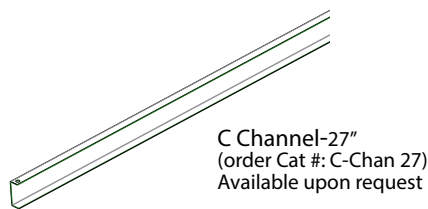
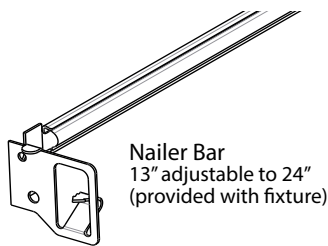
IMPORTANT

READ CAREFULLY BEFORE INSTALLING FIXTURE. RETAIN THESE INSTRUCTIONS FOR FUTURE REFERENCE.

RAB fixtures must be wired in accordance with the National Electrical Code and all applicable local codes. Proper grounding is required for safety. THIS PRODUCT MUST BE INSTALLED IN ACCORDANCE WITH THE APPLICABLE INSTALLATION CODE BY A PERSON FAMILIAR WITH THE CONSTRUCTION AND OPERATION OF THE PRODUCT AND THE HAZARDS INVOLVED.

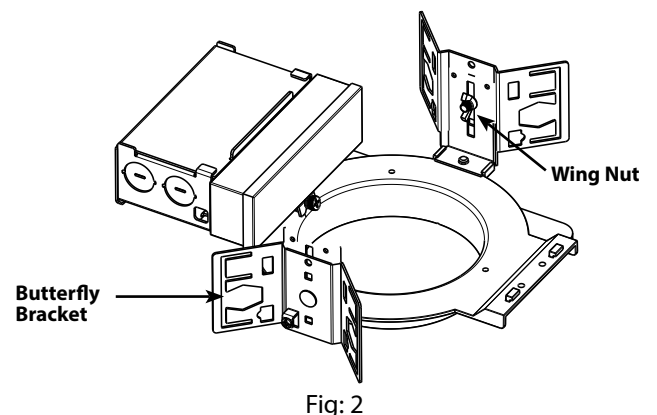
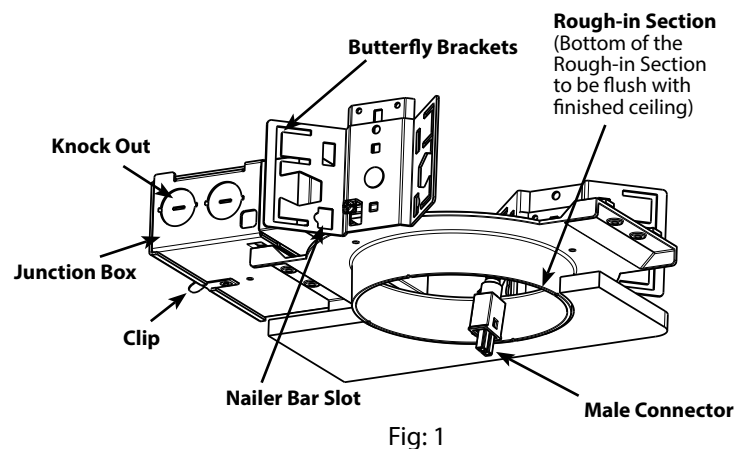
WARNING: Make certain power is OFF before installing or maintaining fixture. No user serviceable parts inside.

MOUNTING BARS



ROUGH-IN MOUNTING

1. Nailer bars are provided for use with wood joist installations. Insert through **Nailer Bar Slots** in **Butterfly Brackets** and secure accordingly. C-Channels are optionally available, consult factory. Consult local building codes for final support of fixture.
2. Remove appropriate **Knock out** on Junction box. Press **Clip** to open the **Junction Box**.
3. Feed the supply wires through **Knock out** hole and connect to the driver. See wiring section for details.
4. The fixture can be adjusted to different heights above the ceiling surface. For height adjustment, loosen the **Wing Nut** and slide the **Butterfly Bracket**. If necessary remove the **Wing Nut** and insert in screw in different hole provided on the **Butterfly Bracket**. (Fig: 2)
5. Adjust both the **Butterfly Brackets** such that the frame of **Rough-In Section** is flush with the finished ceiling surface. Tighten the **Wing nuts**.



Note: These instructions do not cover all details or variations in equipment nor do they provide for every possible situation during installation, operation or maintenance. RAB cannot troubleshoot Lutron systems and have provided only basic information. See www.lutron.com for complete instructions and functional compatibility of Lutron Drivers with Lutron or other Control systems/dimmers.

NDLED4 INSTALLATION INSTRUCTIONS

Thank you for buying RAB lighting fixtures. Our goal is to design the best quality products to get the job done right. We'd like to hear your comments. Call the Marketing Department at 888-RAB-1000 or email: marketing@rabweb.com

TRIM MODULE MOUNTING

1. Pull **Female Connector** conduit through frame opening. Raise **Trim Module** towards opening and connect to **Male Connector** conduit as shown in Fig. 3
2. Press **Torsion Springs** inward and slide **Trim Module** into frame opening. Release both springs into opening together. **Trim Ring** should be flush to ceiling.
3. For the Wallwash Model, orient the fixture such that the reflector is in correct orientation. Look for 'Towards the Wall' label on the fixture.

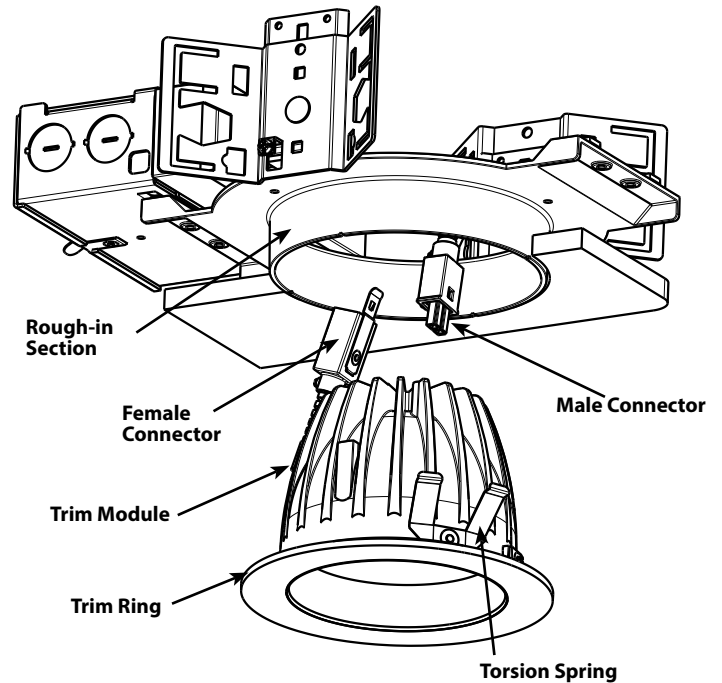


Fig: 3

WIRING

RISK OF FIRE. Universal voltage driver permits operation at 120V thru 277V, 50 or 60 Hz. For Non-Dimming, Electronic Low Voltage (ELV) and Triac Dimming follow the wiring directions in Fig. 4.

1. Connect the GROUND wire from fixture to supply ground.
2. Connect the black fixture lead to the (+) LINE supply lead.
3. Connect the white fixture lead to the (-) COMMON supply lead.

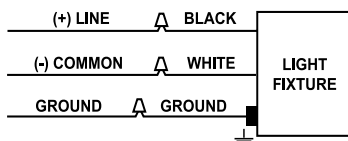


Fig: 4

Lutron L3D Hi-Lume series drivers work with Lutron 3-Wire Control (Fig. 5) or EcoSystem Digital Controls (Fig. 6).

Note: See www.lutron.com for complete instructions and functional compatibility of Lutron drivers with Lutron or other control systems/dimmers.

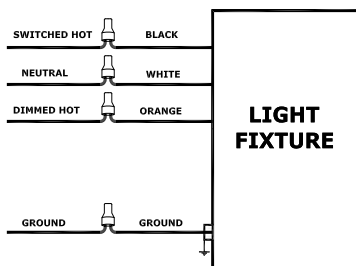


Fig: 5

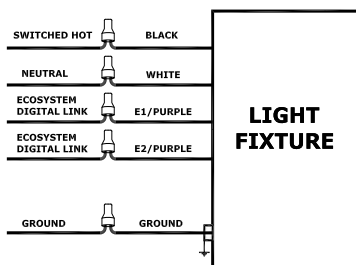


Fig: 6

CLEANING & MAINTENANCE

CAUTION: Be sure fixture temperature is cool enough to touch. Do not clean or maintain while fixture is energized.

1. Do not open fixture to clean the LED. Do not touch the LED.
2. Do not touch reflector, lens, or trim cone.
3. Do not clean any fixture surface with wood base cleaning material such as paper towels or tissues. Only use micro fiber cleaning cloth.

TROUBLESHOOTING

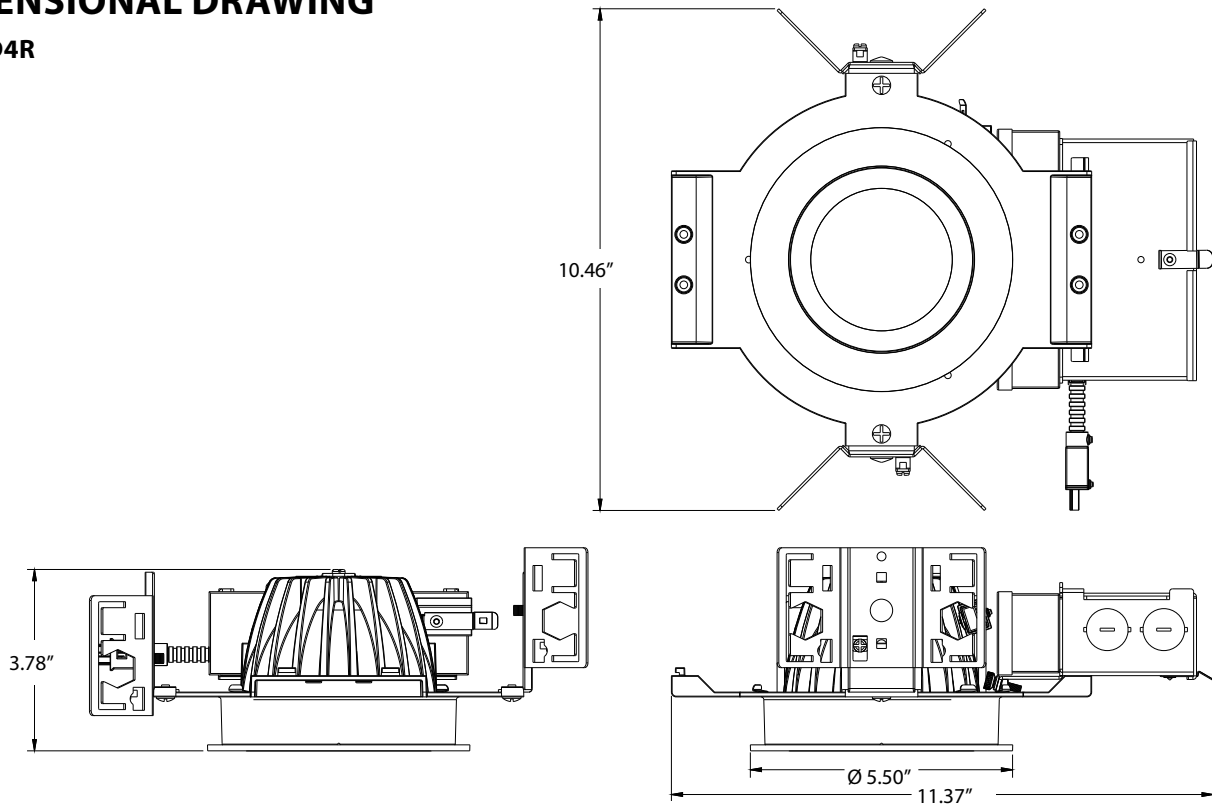
1. Check that the line voltage at the fixture is correct. Refer to wiring directions.
2. Is the fixture grounded properly?
3. For questions on compatibility of dimmers purchased separately refer to www.rabweb.com
4. If the LED is blinking the fixture may be overheating. Remove the Trim assembly and if the fixture is labeled 'BLINKING LIGHT OF THIS THERMALLY PROTECTED LUMINAIRE MAY INDICATE OVERHEATING' allow the fixture to cool down. Determine cause of overheating and remove. Fixtures with this label have a thermal protector that turns fixture off above a certain temperature. It will automatically restart when cool.

NDLED4 INSTALLATION INSTRUCTIONS

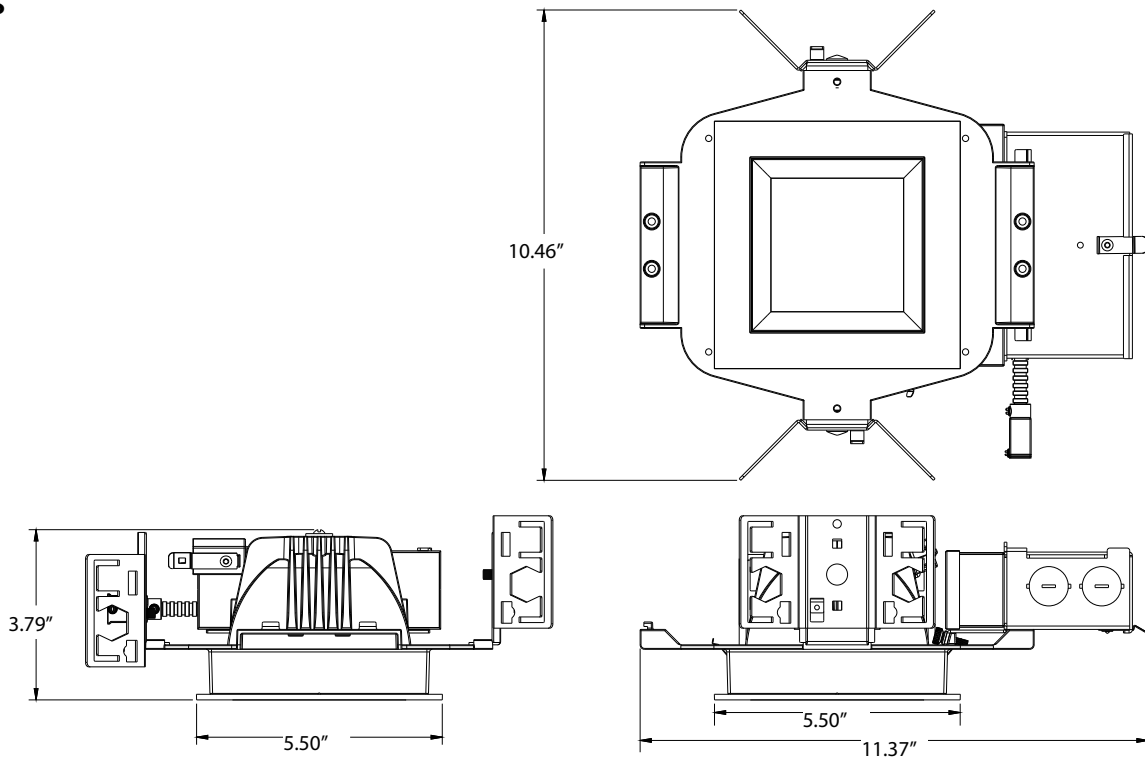
Thank you for buying RAB lighting fixtures. Our goal is to design the best quality products to get the job done right. We'd like to hear your comments. Call the Marketing Department at 888-RAB-1000 or email: marketing@rabweb.com

DIMENSIONAL DRAWING

NDLED4R



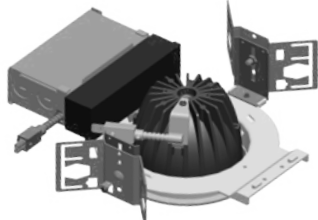
NDLED4S



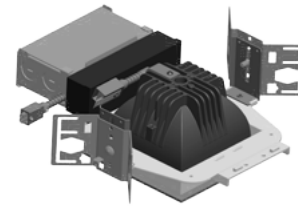
NDLED6 INSTALLATION INSTRUCTIONS



Thank you for buying RAB lighting fixtures. Our goal is to design the best quality products to get the job done right. We'd like to hear your comments. Call the Marketing Department at 888-RAB-1000 or email: marketing@rabweb.com



NDLED6R
Cut-Out Diameter: 7"



NDLED6S
Cut-Out: 7"x7"

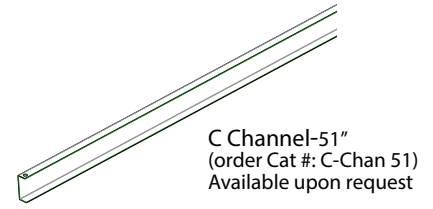
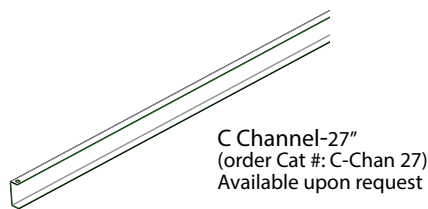
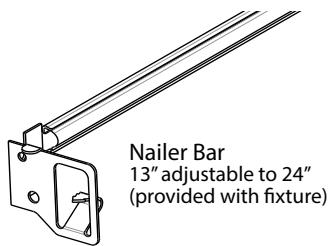
IMPORTANT

READ CAREFULLY BEFORE INSTALLING FIXTURE. RETAIN THESE INSTRUCTIONS FOR FUTURE REFERENCE.

RAB fixtures must be wired in accordance with the National Electrical Code and all applicable local codes. Proper grounding is required for safety. THIS PRODUCT MUST BE INSTALLED IN ACCORDANCE WITH THE APPLICABLE INSTALLATION CODE BY A PERSON FAMILIAR WITH THE CONSTRUCTION AND OPERATION OF THE PRODUCT AND THE HAZARDS INVOLVED.

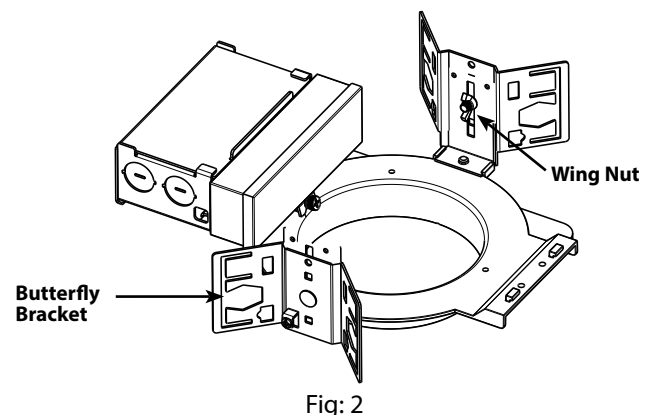
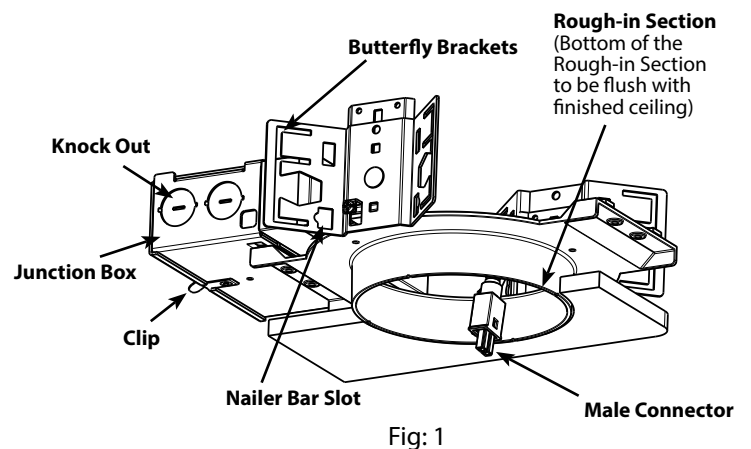
WARNING: Make certain power is OFF before installing or maintaining fixture. No user serviceable parts inside.

MOUNTING BARS



ROUGH-IN MOUNTING

1. Nailer bars are provided for use with wood joist installations. Insert through **Nailer Bar Slots** in **Butterfly Brackets** and secure accordingly. C-Channels are optionally available, consult factory. Consult local building codes for final support of fixture.
2. Remove appropriate **Knock out** on Junction box. Press **Clip** to open the **Junction Box**.
3. Feed the supply wires through **Knock out** hole and connect to the driver. See wiring section for details.
4. The fixture can be adjusted to different heights above the ceiling surface. For height adjustment, loosen the **Wing Nut** and slide the **Butterfly Bracket**. If necessary remove the **Wing Nut** and insert in screw in different hole provided on the **Butterfly Bracket**. (Fig: 2)
5. Adjust both the **Butterfly Brackets** such that the frame of **Rough-In Section** is flush with the finished ceiling surface. Tighten the **Wing nuts**.



Note: These instructions do not cover all details or variations in equipment nor do they provide for every possible situation during installation, operation or maintenance. RAB cannot troubleshoot Lutron systems and have provided only basic information. See www.lutron.com for complete instructions and functional compatibility of Lutron Drivers with Lutron or other Control systems/dimmers.

NDLED6 INSTALLATION INSTRUCTIONS

Thank you for buying RAB lighting fixtures. Our goal is to design the best quality products to get the job done right. We'd like to hear your comments. Call the Marketing Department at 888-RAB-1000 or email: marketing@rabweb.com

TRIM MODULE MOUNTING

1. Pull **Female Connector** conduit through frame opening. Raise **Trim Module** towards opening and connect to **Male Connector** conduit as shown in Fig. 3.
2. Press **Torsion Springs** inward and slide **Trim Module** into frame opening. Release both springs into opening together. **Trim Ring** should be flush to ceiling.
3. For the Wallwash Model, orient the fixture such that the reflector is in correct orientation. Look for 'Towards the Wall' label on the fixture.

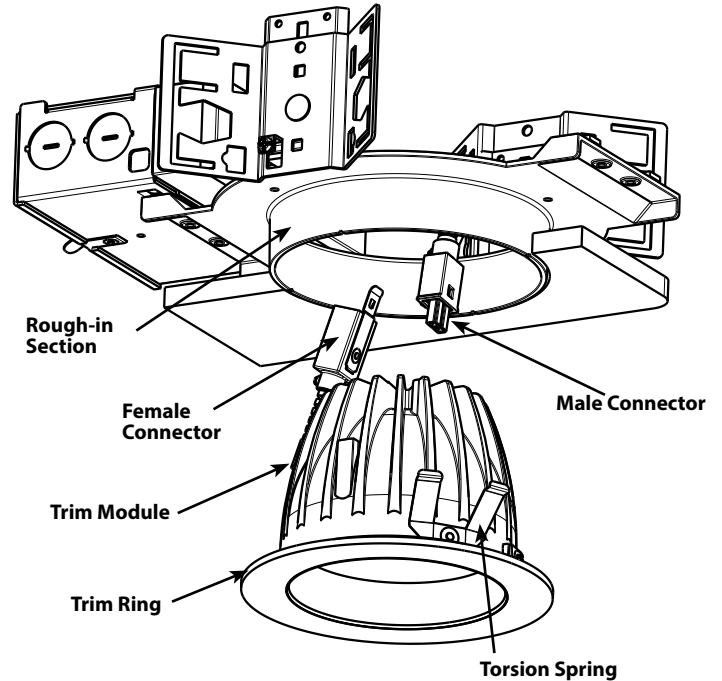


Fig: 3

WIRING

RISK OF FIRE. Universal voltage driver permits operation at 120V thru 277V, 50 or 60 Hz. For Non-Dimming, Electronic Low Voltage (ELV) and Triac Dimming follow the wiring directions in Fig. 4.

1. Connect the GROUND wire from fixture to supply ground.
2. Connect the black fixture lead to the (+) LINE supply lead.
3. Connect the white fixture lead to the (-) COMMON supply lead.

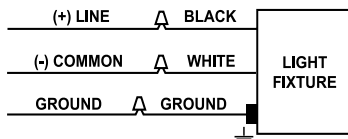


Fig: 4

Lutron L3D Hi-Lume series drivers work with Lutron 3-Wire Control (Fig. 5) or EcoSystem Digital Controls (Fig. 6).

Note: See www.lutron.com for complete instructions and functional compatibility of Lutron drivers with Lutron or other control systems/dimmers.

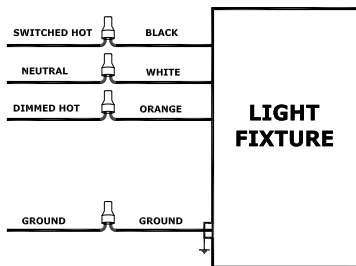


Fig: 5

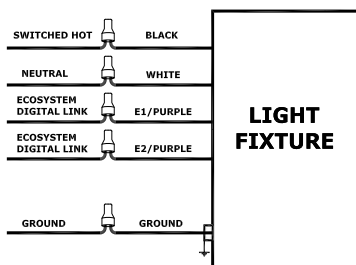


Fig: 6

CLEANING & MAINTENANCE

CAUTION: Be sure fixture temperature is cool enough to touch. Do not clean or maintain while fixture is energized.

1. Do not open fixture to clean the LED. Do not touch the LED.
2. Do not touch reflector, lens, or trim cone.
3. Do not clean any fixture surface with wood base cleaning material such as paper towels or tissues. Only use micro fiber cleaning cloth.

TROUBLESHOOTING

1. Check that the line voltage at the fixture is correct. Refer to wiring directions.
2. Is the fixture grounded properly?
3. For questions on compatibility of dimmers purchased separately refer to www.rabweb.com
4. If the LED is blinking the fixture may be overheating. Remove the Trim assembly and if the fixture is labeled 'BLINKING LIGHT OF THIS THERMALLY PROTECTED LUMINAIRE MAY INDICATE OVERHEATING' allow the fixture to cool down. Determine cause of overheating and remove. Fixtures with this label have a thermal protector that turns fixture off above a certain temperature. It will automatically restart when cool.

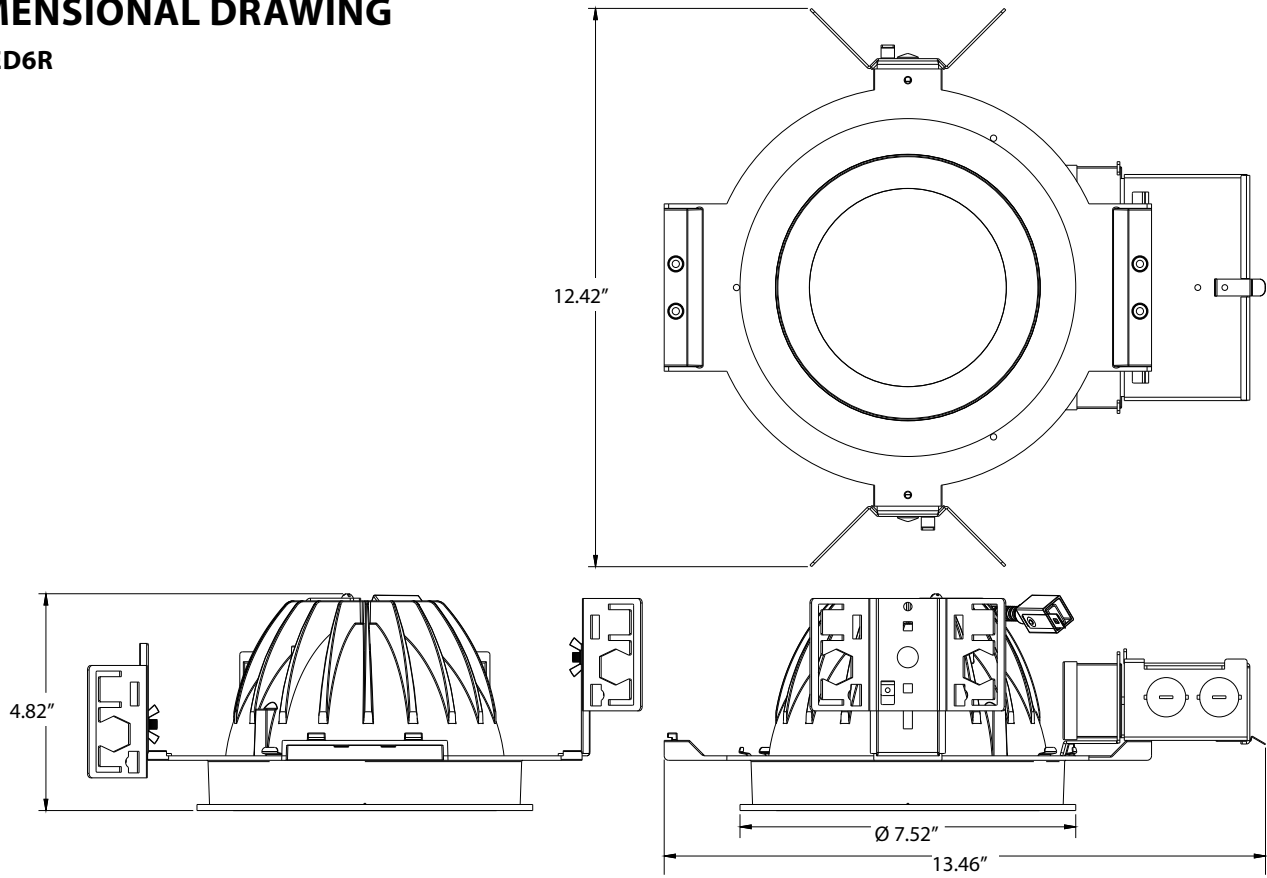
NDLED6 INSTALLATION INSTRUCTIONS



Thank you for buying RAB lighting fixtures. Our goal is to design the best quality products to get the job done right. We'd like to hear your comments. Call the Marketing Department at 888-RAB-1000 or email: marketing@rabweb.com

DIMENSIONAL DRAWING

NDLED6R



NDLED6S

