

BAYLED & AISLED INSTALLATION INSTRUCTIONS



Thank you for buying RAB lighting fixtures. Our goal is to design the best quality products to get the job done right. We'd like to hear your comments. Call the Marketing Department at 888-RAB-1000 or email: marketing@rabweb.com



IMPORTANT

READ CAREFULLY BEFORE INSTALLING FIXTURE. RETAIN THESE INSTRUCTIONS FOR FUTURE REFERENCE.

Fixtures must be wired in accordance with the National Electrical Code and all applicable local codes. Proper grounding is required for safety. THIS PRODUCT MUST BE INSTALLED IN ACCORDANCE WITH THE APPLICABLE INSTALLATION CODE BY A PERSON FAMILIAR WITH THE CONSTRUCTION AND OPERATION OF THE PRODUCT AND THE HAZARDS INVOLVED.

WARNING: Make certain power is OFF before installing or maintaining fixture. No user serviceable parts inside.

CAUTION

For Aisle fixtures, orient the fixture as indicated by the label “← AISLE ORIENTATION →” on the product. SILICONE ALL PLUGS AND UNUSED CONDUIT ENTRIES FOR WEATHER PROOF SEALING.

FIXTURE MOUNTING

FOR HOOK MOUNTING:

CAUTION: Suitable for DAMP LOCATION OR INDOOR APPLICATIONS with hook & cord.

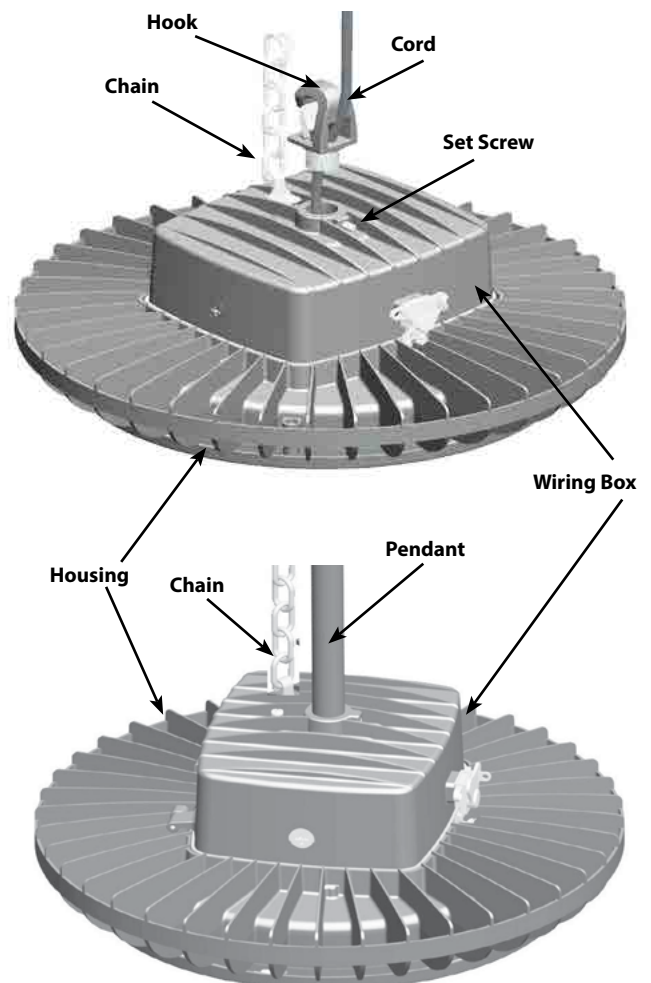
1. Thread **Hook** into the **Wiring Box**.
2. Unlatch and open the **Wiring Box** and slide **Cord** through the **Hook**.
3. Mount **Housing** with **Hook** to a sturdy ceiling structure.
4. Connect **Cord** to supply wires inside a junction box using approved wire connectors.
5. Use **Chain** for supplemental support while installing the fixture.
6. Tighten **Hook** with **Set Screw**.

FOR PENDANT MOUNTING:

(3/4" NPS Pendant Stem not supplied)

CAUTION: Suitable for WET LOCATION with pendant stem

1. Choose pendant length and feed **Cord** through pendant stems. If longer cord is required, replace the **Cord** with the appropriate length wires.
2. For wet locations wrap threads on pendant stems with teflon tape and silicone gel. Screw the pendant stem to the **Wiring Box**. Tighten set screw.
3. Connect supply wires to fixture wires inside a junction box using approved wire connectors.
4. Use **Chain** for supplemental support of the fixture.



BAYLED & AISLED INSTALLATION INSTRUCTIONS

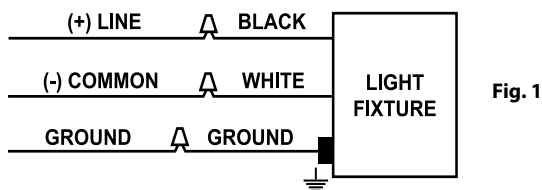


Thank you for buying RAB lighting fixtures. Our goal is to design the best quality products to get the job done right. We'd like to hear your comments. Call the Marketing Department at 888-RAB-1000 or email: marketing@rabweb.com

WIRING

Universal voltage driver permits operation at 120V thru 277V, 50 or 60 Hz. Follow wiring directions as in Fig. 1.

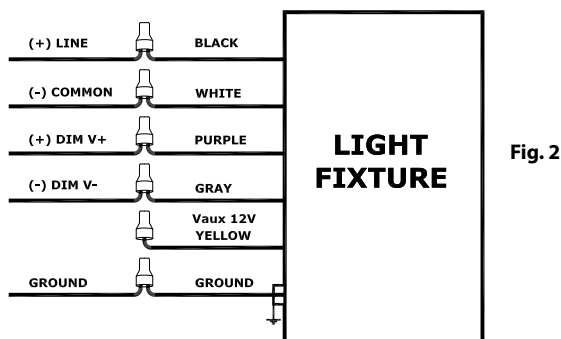
1. Connect the black fixture lead to the (+) LINE supply lead.
2. Connect the white fixture lead to the (-) COMMON supply lead.
3. Connect the GROUND wire from fixture to supply ground.



0-10V DIMMABLE WIRING

Universal voltage driver permits operation at 120V thru 277V, 50 or 60 Hz. A 5-wire cord is provided. For 0-10V Dimming, follow the wiring directions as in fig. 2.

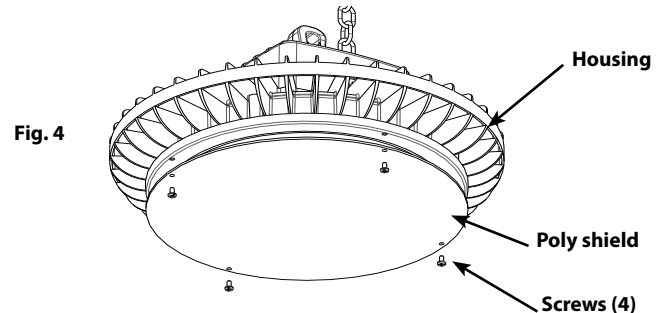
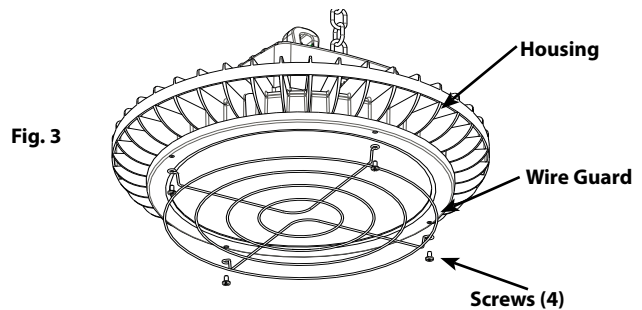
1. Connect the black fixture lead to the (+) LINE supply lead.
2. Connect the white fixture lead to the (-) COMMON supply lead.
3. Connect the GROUND wire from fixture to supply ground. Do NOT connect the GROUND of the dimming fixture to the output.
4. Connect the purple fixture lead to the (V+) DIM lead.
5. Connect the gray fixture lead to the (V-) DIM lead.
6. Cap the yellow fixture lead, if present. Do NOT connect.



GUARD OR SHIELD INSTALLATION

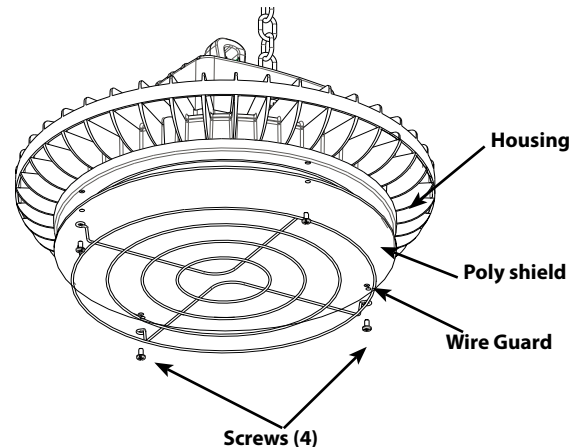
Wire Guard and Poly Shield mount with (4) #8-32 **Stainless Steel Screws**. Screws are provided with the accessory. See Fig. 3 for Guard. See Fig. 4 for Shield.

1. Line up guard or shield with existing pre-drilled holes in frame as shown, tighten screws.



GUARD & SHIELD INSTALLATION

The Wire Guard and Poly Shield can be mounted on the same fixture with (4) #8-32 screws as shown below.



Note: These instructions do not cover all details or variations in equipment nor do they provide for every possible situation during installation operation or maintenance.

BAYLED & AISLED INSTALLATION INSTRUCTIONS



Thank you for buying RAB lighting fixtures. Our goal is to design the best quality products to get the job done right. We'd like to hear your comments. Call the Marketing Department at 888-RAB-1000 or email: marketing@rabweb.com

CLEANING & MAINTENANCE

CAUTION: Be sure fixture temperature is cool enough to touch. Do not clean or maintain while fixture is energized.

1. Clean glass lens & fixture with non-abrasive glass cleaning solution.
2. Do not open fixture to clean the LED. Do not touch the LED.

TROUBLESHOOTING

1. Check that the line voltage at fixture is correct. Refer to wiring directions.
2. Is the fixture grounded properly?

ACCESSORIES

Chrome Wire Guard:
Poly Shield:
Lens & Door Replacement:
Occupancy sensor
Sensor mounting kit

GDBAYLED78W
GDBAYLED78P
LFBAYLED78W
LOSBAY800
LOSBAYMK

BAYLED78

LED lighting facts
A Program of the U.S. DOE

Light Output (Lumens)	7463
Watts	88.7
Lumens per Watt (Efficacy)	84

Color Accuracy Color Rendering Index (CRI)	82
---	----

Light Color
Correlated Color Temperature (CCT): **5217 (Daylight)**

2700K 3000K 4500K 6500K

All results are according to IESNA LM-79-2008: Approved Method for the Electrical and Photometric Testing of Solid-State Lighting. The U.S. Department of Energy (DOE) verifies product test data and results.

Visit www.lightingfacts.com for the Label Reference Guide.

Registration Number: WVMA-364LB8 (12/6/2013)
Model Number: BAYLED78 upgrade (12/31/2013)
Type: Luminaire - Industrial

BAYLED104

LED lighting facts
A Program of the U.S. DOE

Light Output (Lumens)	10375
Watts	123
Lumens per Watt (Efficacy)	84

Color Accuracy Color Rendering Index (CRI)	82
---	----

Light Color
Correlated Color Temperature (CCT): **5143 (Daylight)**

2700K 3000K 4500K 6500K

All results are according to IESNA LM-79-2008: Approved Method for the Electrical and Photometric Testing of Solid-State Lighting. The U.S. Department of Energy (DOE) verifies product test data and results.

Visit www.lightingfacts.com for the Label Reference Guide.

Registration Number: WVMA-JPG383 (8/14/2014)
Model Number: BAYLED104W
Type: Luminaire - Industrial

AISLED78

LED lighting facts
A Program of the U.S. DOE

Light Output (Lumens)	6050
Watts	88.6
Lumens per Watt (Efficacy)	68

Color Accuracy Color Rendering Index (CRI)	82
---	----

Light Color
Correlated Color Temperature (CCT): **5141 (Daylight)**

2700K 3000K 4500K 6500K

All results are according to IESNA LM-79-2008: Approved Method for the Electrical and Photometric Testing of Solid-State Lighting. The U.S. Department of Energy (DOE) verifies product test data and results.

Visit www.lightingfacts.com for the Label Reference Guide.

Registration Number: WVMA-AERSFQ (1/22/2014)
Model Number: AISLED78 [UPGRADE 12/31/2013]
Type: Luminaire - Industrial



Easy Installation & Product Help

Tech Help Line
Call our experts 888 RAB-1000

rabweb.com
Visit our website for product info

email
Answered promptly sales@rabweb.com