



you move me

2" LED downlight now adjusts  
for wall washing or accent lighting.



**RAB**<sup>®</sup>  
LIGHTING  
RABWEB.COM • 888 722-1000

# Our sleek, high-performing 2" LED downlight is now available with adjustable optics.

- 8W replaces 50W MR16 with energy savings of 84%
- Up to 799 lumens, 98 lm/W
- TRIAC dimmer compatibility for additional light control
- Precision-engineered optics deliver smooth light without hot spots or glare
- 100,000-hour LED Lifespan



## Every designer's dream.

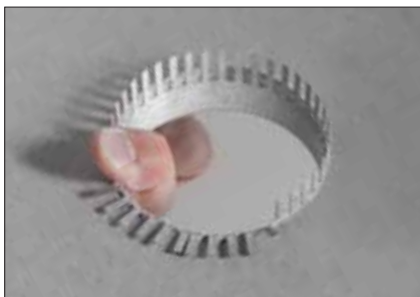


30° vertical adjustment with 3 beam angle options: spot 20°, flood 30°, wide flood 40°



White, black or matte silver finishes offered, in both trim or trimless versions

## Flexible, simple installation.



Remodeler and new construction versions offered. Remodeler includes patent-pending ceiling collar for easy, secure installation.



The low-profile design requires only 3" of space above the ceiling.

## Guaranteed performance.

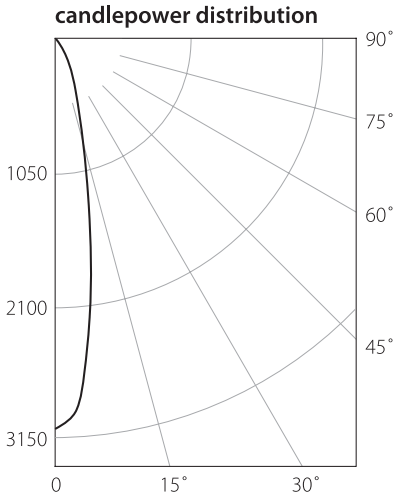


2-step color consistency is warranted to shift less than 200K over 5 years.

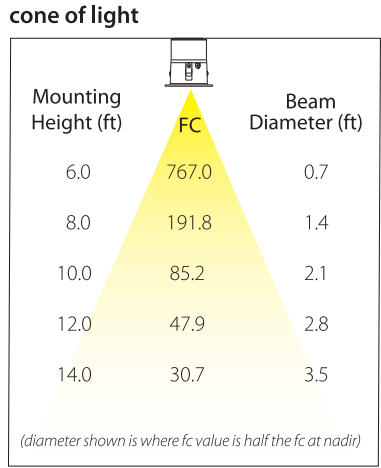


Specification-grade luminaire with 90 CRI models available.

8W - 20° Optics - 3000K (Photometric Report #RAB02055MOD3080)



LUMENS PER WATT: 90



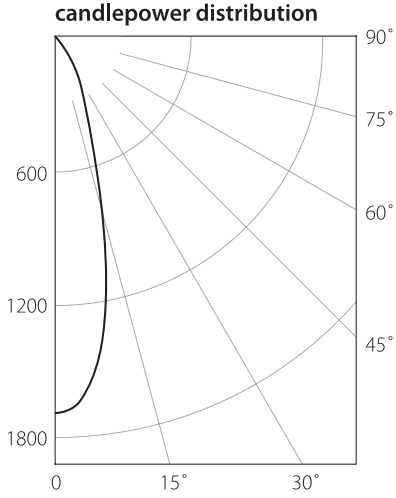
Spacing Criteria 0.3

vertical deg.	candelas
0	3068
5	2624
15	824
25	314
35	132
45	31
55	13
65	6
75	4
85	1
90	0

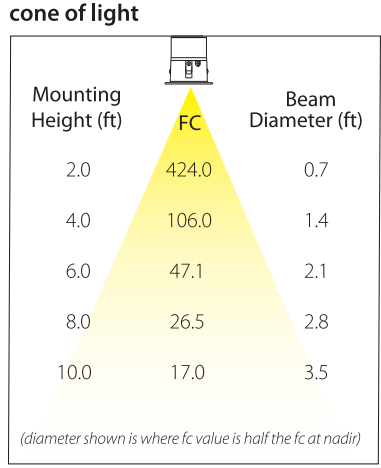
zone	lumens	% fix.
0-30	603	81.6
0-40	686	92.9
0-60	725	98.2
0-90	739	100.0
90-180	0	0.0
0-180	739	100.0

angle	avg. luminance
45	96,169
55	49,399
65	33,522
75	32,842
85	32,510

8W - 30° Optics - 3000K (Photometric Report #RAB02057MOD3080)



LUMENS PER WATT: 85



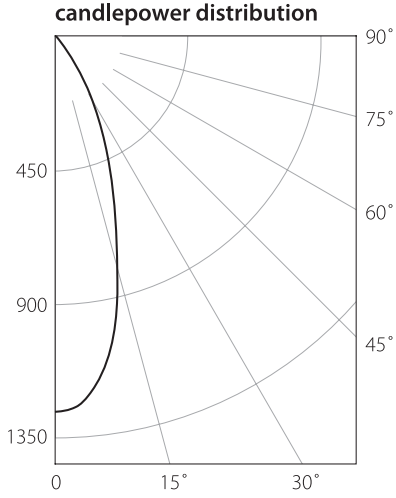
Spacing Criteria 0.5

vertical deg.	candelas
0	1696
5	1610
15	843
25	319
35	146
45	47
55	23
65	14
75	8
85	3
90	0

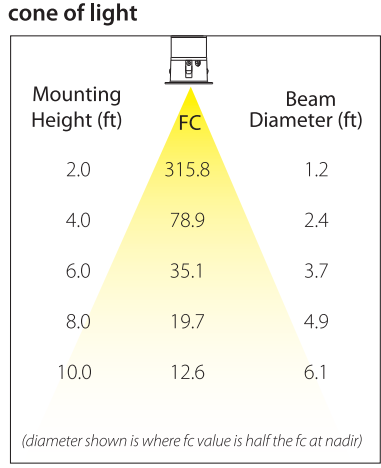
zone	lumens	% fix.
0-30	530	75.0
0-40	621	88.0
0-60	681	96.4
0-90	706	100.0
90-180	0	0.0
0-180	706	100.0

angle	avg. luminance
45	144,176
55	88,870
65	73,709
75	65,649
85	64,984

8W - 40° Optics - 3000K (Photometric Report #RAB02086)



LUMENS PER WATT: 85



Spacing Criteria 0.6

vertical deg.	candelas
0	1263
5	1220
15	819
25	400
35	154
45	47
55	23
65	14
75	8
85	3
90	0

zone	lumens	% fix.
0-30	522	74.1
0-40	621	88.0
0-60	680	96.5
0-90	705	100.0
90-180	0	0.0
0-180	705	100.0

angle	avg. luminance
45	246,066
55	148,449
65	122,636
75	114,428
85	127,428

# Specifications

- UL Listing:** Suitable for wet locations in a covered ceiling
- IC Rating:** Suitable for direct contact with insulation
- LED:** High-output, long-life LED with 2-step binning and integrated driver technology
- Lumen Maintenance:** 100,000-hour LED lifespan based on IES LM-80 results and TM-21 calculations
- Driver:** Constant Current, Class 2, 120VAC, 50/60Hz, 200mA, 0.08A
- Dimming:** TRIAC and ELV dimming compatibility (120V only)\*
- Color Consistency:** 2-step MacAdam Ellipse binning to achieve consistent fixture-to-fixture color
- Lens:** Polycarbonate diffusion lens eliminates "hot spots", and helps provide smooth, uniform light and higher efficiency
- Housing:** Specification-grade, die-cast aluminum construction
- Installation:** Torsion springs easily install into ceiling collar (remodeler) or rough-in (new construction)
- IESNA LM-79 & LM-80 Testing:** RAB LED luminaires have been tested by an independent laboratory in accordance with IESNA LM-79 and LM-80, and have received the Department of Energy "Lighting Facts" label.
- Green Technology:** Mercury and UV free. RoHS-compliant components.

\*See list on right for known dimmer compatibility.

# Dimmer Compatibility List

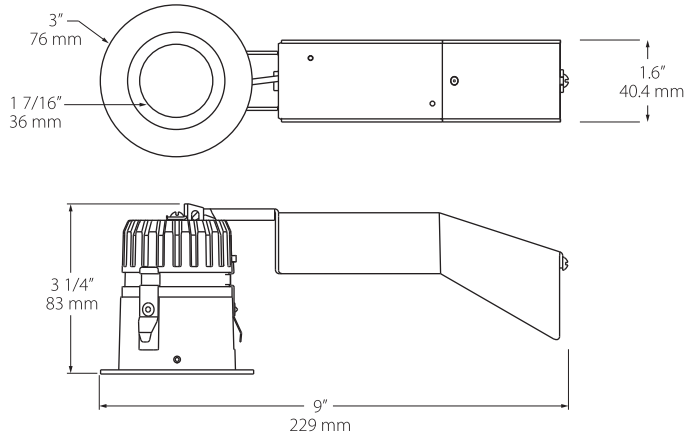
BRAND	MODEL
PASS & SEYMOUR	LEGRAND D703P
LUTRON	DIVA DV-603P
LUTRON	SKYLARK S-600P
LUTRON	SKYLARK SELV-300P
LUTRON	CASETA/PD-6WCL-WH
LUTRON	SKYLARK CTCL-153P
LEVITON	DECORA IPL06-10Z
LEVITON	DECORA 6631-P
LEVITON	VIZIA RF ZWAVE/VRMX1

Note: Bottom trim required

# Dimensions & Weights

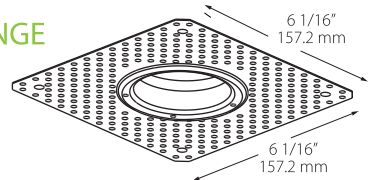
## REMODELER MODULE

Weight: 1.8 lbs



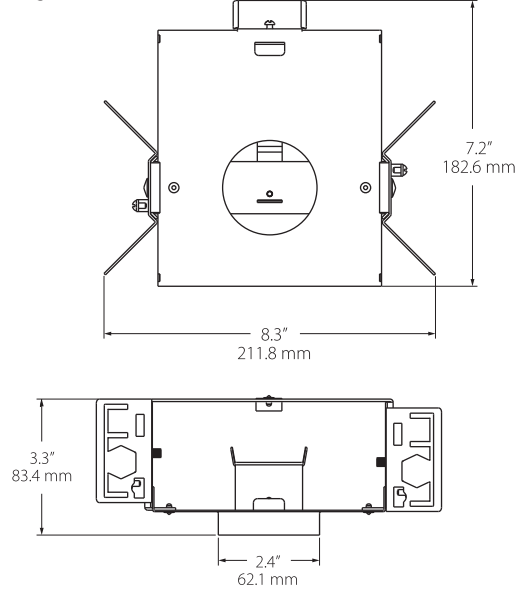
## SPACKLE FLANGE (Trimless)

Weight: 0.6 lbs



## NEW CONSTRUCTION ROUGH-IN

Weight: 1.7 lbs



# Ordering information

## REMODELER

Product Family	Size/Shape	Wattage	Optics	Color Temp	CRI	Trim	Trim Ring Color
RDLED	2AR	8	20 20° 30 30° 40 40°	N 4000K YN 3500K Y 3000K YY 2700K	Blank 80 CRI HC 90 CRI	T 1/2" Trim TL Trimless	S Matte Silver W White B Black

## NEW CONSTRUCTION ROUGH-IN (Remodeler is required to complete a New Construction fixture assembly)

Product Family	Size	Trim
ND	2	T 1/2" Trim TL Trimless