

WPT Field-Adjustable Tall Pack



WPT



PROJECT:

DATE:

TYPE:

PREPARED BY:



KEY FEATURES

- The field-adjustable fixture with following adjustable wattages: WPT: 40/25/15W (Default 40W)
- Adjustable CCT: 3000/4000/5000K (Default 4000K)
- Voltage ratings: 120-277V
- Comes with selectable on/off photocell
- Models available with smart controls
- **Battery backup** option available
- Suitable for **wet** locations
- IP65 rated
- 5-Year, **limited** warranty

The 3-way, field-adjustable wall packs with selectable photocell



PERFORMANCE

WPT	3000K	4000K	5000K	3000K	4000K	5000K	3000K	4000K	5000K
WATTAGE	40W			25W			15W		
INPUT WATTS	38.8W	38.6W	38.8W	24.8W	25.2W	24.7W	15.7W	16.4W	15.6W
LUMENS	4,915	5,345	5,134	3,385	3,681	3,507	2,162	2,392	2,247
EFFICACY	126.7	138.5	132.3	136.5	146.1	142.0	137.7	145.9	144.0
CRI	82	84	83	82	84	83	82	84	83
VOLTAGE RATING	120-277V								

TECHNICAL SPECIFICATIONS

COMPLIANCE

UL Listed:

Suitable for wet locations. Suitable for mounting within 4 feet of the ground

DLC Listed

This product family is listed with the DesignLights Consortium (DLC). Individual SKUs within this family may carry either a DLC Standard or DLC Premium qualification. Please refer to the individual product specification sheet or the DLC Qualified Products List (QPL) at designlights.org to confirm the qualification status of a specific SKU prior to specification or purchase.

LED CHARACTERISTICS

LEDS

Long-life, high-efficacy, surface-mount LEDs

Color Uniformity

RAB's range of Correlated Color Temperature follows the guidelines of the American National Standards for Specifications for the Chromaticity of Solid State Lighting (SSL) Products, ANSI C78.377-2017.

IESNA LM-79 & LM-80 Testing:

RAB LED luminaires and LED components have been tested by an independent laboratory in accordance with IESNA LM-79 and LM-80.

TECHNICAL SPECIFICATIONS (CONTINUED)

CONSTRUCTION

Cold Weather Starting

Minimum starting temperature is -40°C (-40°F)

Maximum Ambient Temperature

Suitable for use in up to 40°C (104°F)

Cold Weather Starting for Battery Backup

Minimum starting temperature is 0°C (32°F)

Maximum Ambient Temperature for Battery Backup

Suitable for use in up to 60°C (140°F)

IP Rating:

Ingress protection rating of IP65 for dust and water

Mounting

Wall mount

Housing Material

Die-cast aluminum

Lens

Polycarbonate

Gaskets

Silicone rubber

Reflector

Specular aluminum

Green Technology

Mercury and UV free. RoHS-compliant components.

Finish

Formulated for high durability and long lasting color

ELECTRICAL

Drivers:

Constant Current, Class 1, 120-277V, 50/60 Hz

40W: 120V: 0.33A, 208V: 0.19A, 240V: 0.17A, 277V: 0.14A

25W: 120V: 0.21A, 208V: 0.12A, 240V: 0.10A, 277V: 0.09A

15W: 120V: 0.13A, 208V: 0.07A, 240V: 0.06A, 277V: 0.05A

THD

9.94% @120V, 9.42% AT 277V

Power Factor

99.5% @120V, 98.1% at 277V

Note

All values are typical (tolerance +/- 10%)

Surge Protection

4kV

Dimming Driver

Driver includes dimming control wiring for 0-10V dimming systems.

Requires separate 0-10V DC dimming circuit. Dims down to 10%

Note: Lightcloud Blue models do not require 0-10V dimming circuit.

Photocell

Integrated photocell included with on/off switch

Battery Backup:

Battery backup will operate the LED Lamp for 90 minutes if power falls. Wired for 120-277V.

Battery Backup Light Loss Factor

40W: 0.07

25W: 0.11

15W: 0.17

FIELD ADJUSTABLE

Color Temperature: Selectable 3000/4000/5000K (4000K default)

Wattages: 40/25/15W (40W default)

Photocell: On/Off (Off default)

Note: Lightcloud Blue models offer wireless control for on/off and dimming. Color temperature must be adjusted using the dipswitch.

OTHER

Warranty

The RAB 5-year, limited warranty covers light output, driver performance and paint finish. RAB's warranty is subject to all terms and conditions found at rablighting.com/warranty.

Lifespan

100,000-hour LED lifespan based on IES LM-80 results and TM-21 calculations

WPT Field-Adjustable Tall Pack



WIRELESS NETWORK LIGHTING CONTROLS

Lightcloud products offer integrated network lighting control for a truly wireless solution that allows you to manage RAB's various compatible devices. With RAB's patented Rapid Provisioning technology, devices can be quickly and easily commissioned for residential and commercial applications. Each device can communicate with other devices in the mesh network. With two Lightcloud systems to choose from, it's easy to implement controls anywhere.

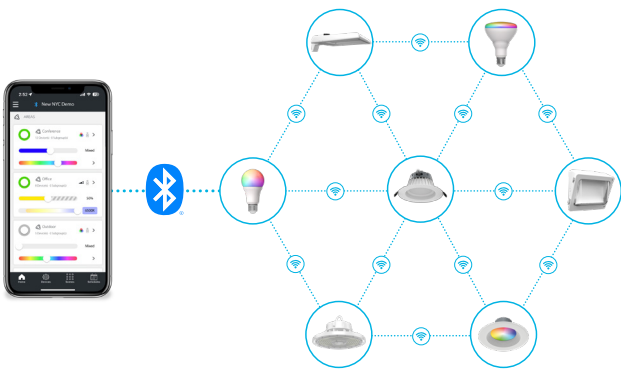


Learn more about Lightcloud wireless networked lighting controls.

Design Lights Consortium Network Lighting Controls:

- Interior Applications: N1XML0EATB
- Exterior Applications: NHCZ2BIA17L

Lightcloud®



- Utilizes Bluetooth Mesh, eliminating the need for a Gateway or Hub
- Ideal for applications that need basic wireless control such as ON/OFF, dimming, color tuning, Schedules, and SmartShift
- Download the Lightcloud Blue mobile app for iOS or Android devices
- Add the XDIM/BRIDGE/LCB and LCGATEWAY to adopt premium Lightcloud Enterprise features

SIMPLE SETUP

- 1** Download the app.
- 2** Connect product to power.
- 3** Pair product to app.
- 4** Enjoy!

Learn more about [Lightcloud Blue](#). Visit the [Lightcloud Blue Resources](#) page for more information on how to use the system.

Lightcloud®



- Utilizes a secure cellular and Zigbee mesh network that requires a Gateway or Hub (sold separately)
- Offers premium features like remote commissioning, demand response, BACnet integration, and more
- Download the Lightcloud Enterprise mobile app for iOS or Android devices

SIMPLE SETUP

- 1** Download the app.
- 2** Complete the startup document.
- 3** Connect product to power.
- 4** Contact RAB for Remote Commissioning.
- 5** Enjoy!

Learn more about [Lightcloud Enterprise](#). Visit the [Lightcloud Enterprise Resources](#) page for more information on how to use the system.

WPT Field-Adjustable Tall Pack

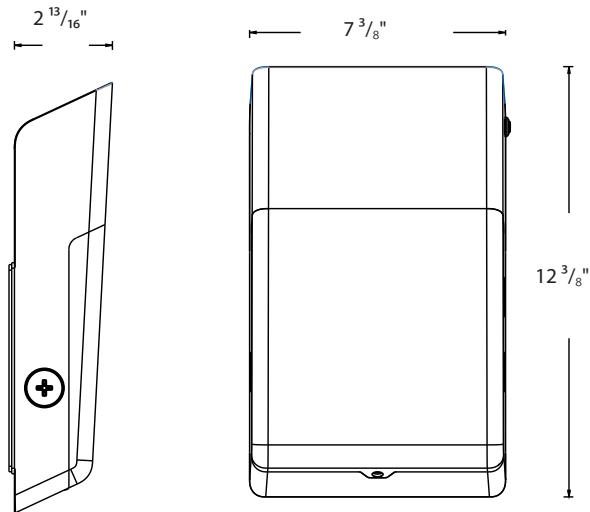


DIMENSIONS

WPT

Weight: 3.61 lbs

With Battery Backup: 4.58 lbs



ORDERING MATRIX

WPT Field-Adjustable Tall Pack

Family	Wattage	Color Temp	Finish	Driver	Controls	Battery Backup
WPT	BLANK 40/25/15W	BLANK 3000/4000/5000K CCT Adjustable	BLANK W Bronze White	BLANK 120-277V, 0-10V Dimming	BLANK /LC /LCB Selectable On/Off Photocell Lightcloud Lightcloud Blue	BLANK /E None Battery Backup