



Omnidirectional, T-Shape HID Replacement Lamp, UL Type B



PROJECT: _____

DATE: _____

TYPE: _____

PREPARED BY: _____



KEY FEATURES

- Can be used to replace traditional **HID or high output incandescent lamps**
- **Integral driver** enables lamp to be wired directly to line voltage without need for an external driver or ballast
- Rated for use in **enclosed and open fixtures in dry or damp** locations
- Lightweight design
- **Omnidirectional** light output
- **25,000-Hour** Lifespan
- Environmentally friendly, no mercury used
- **UL Recognized**
- **Non-dimmable**
- **3-Year, Limited Warranty**

PERFORMANCE

Catalog Number	Equivalency	Input Wattage	Lumen	Efficacy lm/W	Color Temperature	CRI	L70 Lifespan
HID-26-E26-850-BYP-TS	50W HID	26W	3450	133	5000K	80	25,000

TECHNICAL SPECIFICATIONS

CONSTRUCTION

Product Type
HID

Base Type
E26

Bulb Shape
T-Shape

Beam Angle
180°

Enclosure Material
Plastic

Endcap Finish
White

INSTALLATION

Installation Method
UL Type B, Ballast Bypass

Burning Position
Universal

ELECTRICAL

Power Factor
>0.9

Input Voltage
120-277V

Operating Frequency
60Hz

Operating Temperature
-20°C to 40°C

Note
All values are typical (tolerance +/- 10%)

TECHNICAL SPECIFICATIONS (CONT.)

COMPLIANCE

Safety Listing

UL Recognized

Environment/Fixture Rating

Damp / Enclosed

IP Rating

IP64

FCC

Complies with Part 15 of the FCC Rules.

RoHS

Mercury and UV free. RoHS-compliant components.

OTHER

Warranty

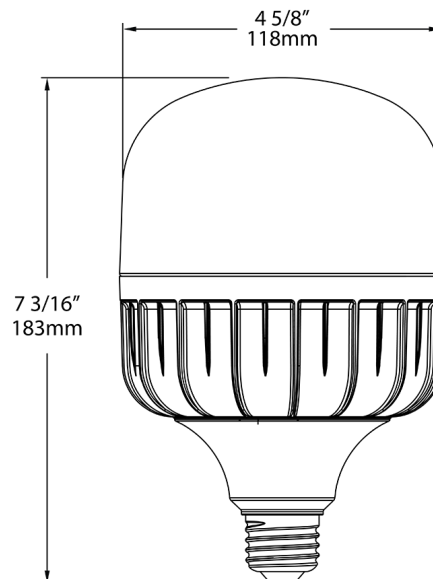
RAB 3-year, limited warranty covers light output, driver performance and paint finish. RAB's warranty is subject to all terms and conditions found at rablighting.com/warranty.

RAB's warranty is subject to all terms and conditions found at rablighting.com/warranty.

DIMENSIONS

HID-TS 26W

Weight: 0.8 lb



ORDERING INFO

Catalog Number	Model Number (DLC/Energy Star)	UPC	Case Pack
HID-26-E26-850-BYP-TS	H10043(HID-26-E26-850-BYP-TS)	019813700656	12

ORDERING MATRIX

Family	Wattage	Base Type	CRI/Color Temp	Installation Type	Bulb Shape
HID	- 26	- E26	- 850	- BYP	- TS
	26 26W	E26 E26 Base	850 80 CRI, 5000K	BYP Ballast Bypass	TS T-Shape