

Smart LED Post Top



Connected via Lightcloud Gateway
UL Type B



PROJECT: _____

DATE: _____

TYPE: _____

PREPARED BY: _____



KEY FEATURES

- **Wireless Dimming** - Dim individual lights or group together and set schedules. High end trim capable and can be controlled by Lightcloud motion sensors.
- **Remote Control** - Control for mobile device, tablet or PC from anywhere
- **Replaces traditional 200W metal halide or high pressure sodium HID lamp**
- **Integral driver** enables lamp to be wired directly to line voltage without need for an external driver or ballast
- Rated for use in **enclosed and open fixtures in dry or damp** locations
- 4kV surge protection built in
- 50,000-Hour lifespan
- **Environmentally friendly**, no mercury used
- **UL Listed, DLC Listed**
- **5-Year, No-compromise warranty**

PERFORMANCE

Catalog Number	Equivalency	Input Wattage	Lumens (Nominal)	Efficacy lm/W	Color Temperature	CRI	L70 Lifespan	DLC ID
HID-54-EX39-850-BYP-PT/LC	200W HID	54W	8100	150	5000K	80	50,000	PLCAR3XX9XV1

TECHNICAL SPECIFICATIONS

CONSTRUCTION

Product Type HID	Base Type EX39
Bulb Shape Post Top	Beam Angle 360°
Enclosure Material Polycarbonate & Metal Heat Sink	
Endcap Finish White	

INSTALLATION

Installation Method UL Type B, Ballast Bypass	Burning Position Universal
---	--------------------------------------

LIGHTCLOUD CONTROLLER

Lamp, Zone, and plug-load control from one powerful device. Capable of switching, wireless dimming, power monitoring. Can also be used to extend the range of the Lightcloud mesh network.

ELECTRICAL

THD <20%
Power Factor >0.9
Input Voltage 100-277V
Operating Frequency 50/60Hz
Operating Temperature -30°C to 60°C
Surge protection 4kV
Power Monitoring Yes, TRIAC Dimming - Forward and Reverse Phase dimming. Please refer to dimmer compatibility chart
Operating Current 20mA
Note All values are typical (tolerance +/- 10%)

TECHNICAL SPECIFICATIONS (CONT.)

COMPLIANCE

Safety Listing

UL Listed

Environment/Fixture Rating

Damp / Enclosed

IP Rating

IP64

DLC

This product is on the Design Lights Consortium (DLC) Qualified Products List and is eligible for rebates from DLC Member Utilities

FCC

Complies with Part 15 of the FCC Rules.

RoHS

Mercury and UV free. RoHS-compliant components.

MODULE/SENSOR

Input Voltage

12V

Output Voltage

0-10V

Max Mounting Height

20ft

Rating

IP20

OTHER

Warranty

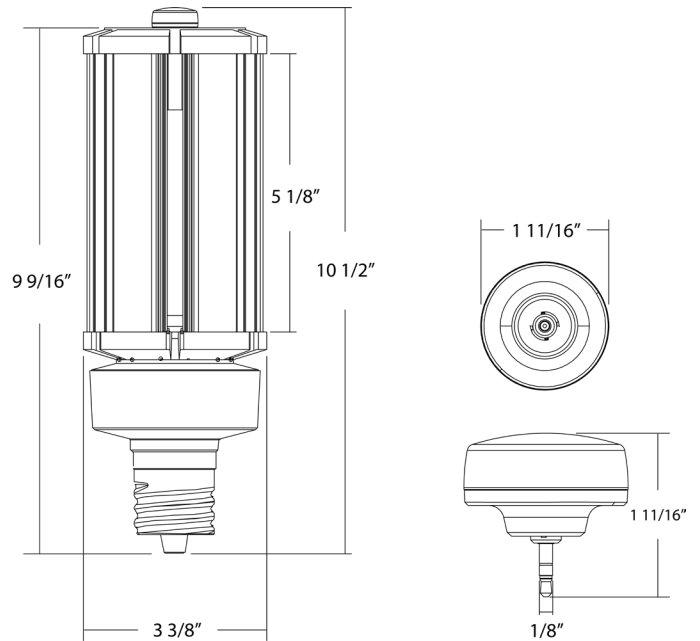
RAB warrants that our LED products will be free from defects in materials and workmanship for a period of five (5) years from the date of delivery to the end user, including coverage of light output, color stability, driver performance and fixture finish.

RAB's warranty is subject to all terms and conditions found at: rablighting.com/warranty.

DIMENSIONS

HID 54W with Lightcloud Controller

Weight: 1.65lbs



ORDERING INFO

Catalog Number	Model Number (DLC/Energy Star)	UPC	Case Pack
HID-54-EX39-850-BYP-PT/LC	HID-54-EX39-850-BYP-PT/LC	019813519197	12

ORDERING MATRIX

Family	Wattage	Base Type	CRI/Color Temp	Installation Type	Bulb Shape	Controller
HID	54	EX39	850	BYP	PT	/LC
	54 54W	EX39 EX39 Base	850 80 CRI, 5000K	BYP Ballast Bypass	PT Post Top	/LC Lightcloud Controller