



4" SQUARE -BAFFLE

4" ROUND - BAFFLE

4" ROUND - SMOOTH



6" SQUARE -BAFFLE

6" ROUND - BAFFLE

6" ROUND - SMOOTH

## Recessed retrofit 4" & 6" smooth/baffle



90 CRI



80 CRI



50,000 HOURS



WET RATED



FCC LISTED



RoHS

PROJECT:

DATE:

TYPE:

PREPARED BY:



\* Select 90CRI models



### KEY FEATURES

- LED array provides a uniform source with **high efficiency** and no pixilation
- **UL Classified - Wet location** rated
- Compatible with most standard **recessed housings**
- **Dimmable** down to 5% on compatible dimmers
- Available in 5 CCT: **2700K, 3000K, 3500K, 4000K, 5000K** (5000K only available for 90CRI 120V)
- Available in a **smooth** and **baffle** trim option
- **Color designer trims** available as accessories
- **5-Year, No-Compromise Warranty**

## TECHNICAL SPECIFICATIONS

### CONSTRUCTION

#### Product Type

Retrofit

#### Fixture Shape

Round or square

#### Fixture Finish

White

#### Trim Style

Round: Smooth & baffle trims

Square: Baffle trims

#### Housing Material

Round: Metal

Square: Plastic

#### LEDs

LED array provides a uniform source with high efficiency and no pixilation

#### Lens

Regressed lens constructed from impact-resistant polycarbonate. Convex lens gives the optic a similar lamp-like appearance. Provides smooth and diffuse light distribution.

#### Gaskets

Gasket included can achieve restrictive airflow and wet location without any additional gasket or calk.

#### Mounting

##### For 4" models:

Pre-installed friction clips are designed to fit 4" compatible recessed housings

##### For 6" models:

Torsion springs are pre-installed and adjust to fit 5" or 6" compatible housing

#### E26 Socket

Optional E26 Socket. Wire leads and quick connect are included for retrofitting to incandescent housings.

# Retrofit Downlights

## TECHNICAL SPECIFICATIONS (CONTINUED)

### COMPLIANCE

#### Safety Listing

UL Classified

#### Environment/Fixture Rating

Wet Location / Enclosed

#### Air Tight

Airtight per ASTM-E283-04 90CRI 120-277V Models Only

#### Title 20 Compliant

California Title 20 Certified LED Tier 2 Lamp

\*90CRI Models only

#### FCC

Complies with Part 15 of the FCC Rules.

#### RoHS

Mercury and UV free. RoHS-compliant components.

### OTHER

#### Warranty

RAB warrants that our LED products will be free from defects in materials and workmanship for a period of five (5) years from the date of delivery to the end user, including coverage of light output, color stability, driver performance and fixture finish.

RAB warranty is subject to all terms and conditions found at: [rablighting.com](http://rablighting.com)

### ELECTRICAL

#### THD

≤20%

#### Power Factor

≥0.9

#### Input Voltage

80CRI: 120V

90CRI: 120V & 120-277V models available

#### Operating Frequency

60Hz

#### Operating Temperature

-30°C to 40°C

Note: All values are typical (tolerance +/- 10%)

### PERFORMANCE

#### Lifespan

50,000-hour LED lifespan based on IES LM-80 results and TM-21 calculations

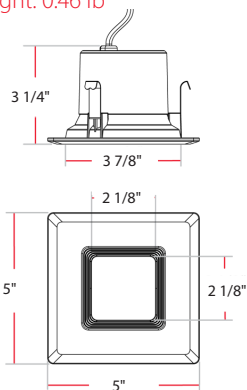
#### Dimmable

TRIAC and ELV dimming compatibility

## DIMENSIONS

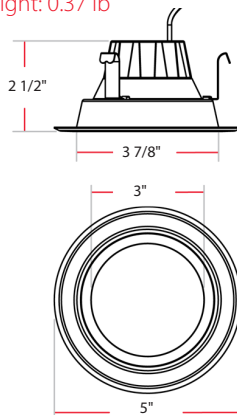
### 4" SQUARE -BAFFLE

Weight: 0.46 lb



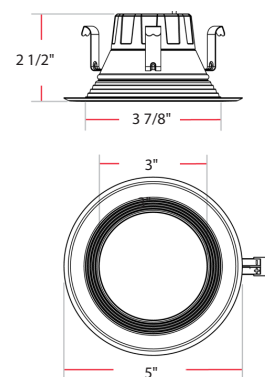
### 4" ROUND - SMOOTH

Weight: 0.37 lb



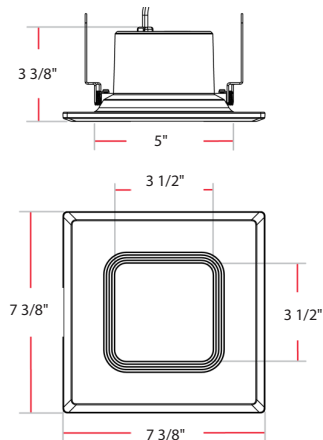
### 4" ROUND - BAFFLE

Weight: 0.37 lb



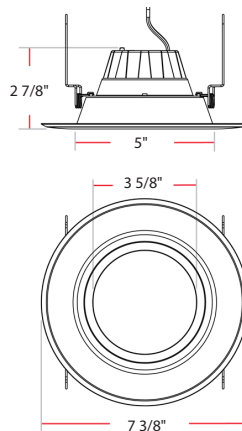
### 6" SQUARE -BAFFLE

Weight: 0.75 lb



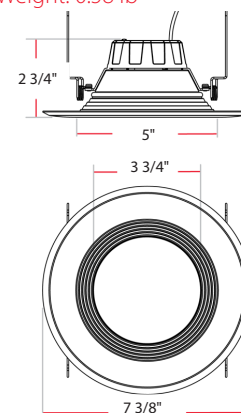
### 6" ROUND - SMOOTH

Weight: 0.58 lb



### 6" ROUND - BAFFLE

Weight: 0.58 lb



# Retrofit Downlights



## PERFORMANCE

7W 4" SQUARE 80CRI 120V

	2700K	3000K	4000K
INPUT WATTS	7W	7W	7W
LUMENS	713	746	787
EFFICACY	100	100	100
CRI	80	80	80
EQUIVALENCY	65W INCANDESCENT		
INPUT VOLTAGE	120V		

7W 4" SQUARE 90CRI 120V

	2700K	3000K	4000K	5000K
INPUT WATTS	7W	7W	7W	7W
LUMENS	619	635	642	600
EFFICACY	85.7	85.7	85.7	85.7
CRI	92	92	92	90
EQUIVALENCY	50W INCANDESCENT			
INPUT VOLTAGE	120V			

8W 4" ROUND 80CRI 120V

	2700K	3000K	3500K	4000K
INPUT WATTS	8W	8W	8W	8W
LUMENS	810	849	862	897
EFFICACY	100	100	100	100
CRI	80	80	80	80
EQUIVALENCY	65W INCANDESCENT			
INPUT VOLTAGE	120V			

8W 4" ROUND 90CRI 120V

	2700K	3000K	3500K	4000K	5000K
INPUT WATTS	8W	8W	8W	8W	8W
LUMENS	720	748	771	783	700
EFFICACY	87.5	87.5	87.5	87.5	87.5
CRI	92	92	92	92	90
EQUIVALENCY	65W INCANDESCENT				
INPUT VOLTAGE	120V				

10W 5/6" SQUARE 80CRI 120V

	2700K	3000K	4000K
INPUT WATTS	10W	10W	10W
LUMENS	1044	1081	1142
EFFICACY	100	100	100
CRI	80	80	80
EQUIVALENCY	85W INCANDESCENT		
INPUT VOLTAGE	120V		

10W 6" SQUARE 90CRI 120V

	2700K	3000K	4000K	5000K
INPUT WATTS	10W	10W	10W	10W
LUMENS	913	918	989	900
EFFICACY	90	90	90	90
CRI	92	92	92	90
EQUIVALENCY	75W INCANDESCENT			
INPUT VOLTAGE	120V			

8W 5/6" ROUND 80CRI 120V

	2700K	3000K	3500K	4000K
INPUT WATTS	8W	8W	8W	8W
LUMENS	862	879	897	925
EFFICACY	106.3	106.3	106.3	106.3
CRI	80	80	80	80
EQUIVALENCY	75W INCANDESCENT			
INPUT VOLTAGE	120V			

8W 5/6" ROUND 90CRI 120V

	2700K	3000K	3500K	4000K	5000K
INPUT WATTS	8W	8W	8W	8W	8W
LUMENS	736	769	833	796	725
EFFICACY	90.6	90.6	90.6	90.6	90.6
CRI	92	92	92	92	90
EQUIVALENCY	65W INCANDESCENT				
INPUT VOLTAGE	120V				

11W 5/6" ROUND 80CRI 120V

	2700K	3000K	3500K	4000K
INPUT WATTS	11W	11W	11W	11W
LUMENS	1093	1120	1158	1144
EFFICACY	100	100	100	100
CRI	80	80	80	80
EQUIVALENCY	85W INCANDESCENT			
INPUT VOLTAGE	120V			

11W 5/6" ROUND 90CRI 120V

	2700K	3000K	3500K	4000K	5000K
INPUT WATTS	11W	11W	11W	11W	11W
LUMENS	901	961	1004	1024	900
EFFICACY	85.7	85.7	85.7	85.7	85.7
CRI	92	92	92	92	90
EQUIVALENCY	75W INCANDESCENT				
INPUT VOLTAGE	120V				

# Retrofit Downlights

## PERFORMANCE (CONT.)

### 14w 6" ROUND 80CRI 120V

	2700K	3000K	3500K	4000K
INPUT WATTS	14W	14W	14W	14W
LUMENS	1438	1464	1501	1545
EFFICACY	100	100	100	100
CRI	80	80	80	80
EQUIVALENCY	100W INCANDESCENT			
INPUT VOLTAGE	120V			

### 14W 6" ROUND 90CRI 120V

	2700K	3000K	3500K	4000K	5000K
INPUT WATTS	14W	14W	14W	14W	14W
LUMENS	1231	1232	1217	1279	1200
EFFICACY	85.7	85.7	85.7	85.7	85.7
CRI	92	92	92	92	90
EQUIVALENCY	100W INCANDESCENT				
INPUT VOLTAGE	120V				

### 10W 6" ROUND 90CRI 120-277V

	2700K	3000K	3500K	4000K
INPUT WATTS	10W	10W	10W	10W
LUMENS	874	874	874	874
EFFICACY	85	85	85	85
CRI	90	90	90	90
EQUIVALENCY	75W INCANDESCENT			
INPUT VOLTAGE	120-277V			

### 10W 6" ROUND 90CRI 120-277V

	2700K	3000K	3500K	4000K
INPUT WATTS	14W	14W	14W	14W
LUMENS	1299	1299	1299	1299
EFFICACY	85.7	85.7	85.7	85.7
CRI	90	90	90	90
EQUIVALENCY	100W INCANDESCENT			
INPUT VOLTAGE	120-277V			

## TRIMS

### 4" COLOR TRIMS (Field Installable)

#### Round-Smooth



Brushed Nickel Bronze Black

#### Round-Baffle



Brushed Nickel Bronze Black

Catalog Number	UPC	Description	Packaging
DLTRIM/R4RS-BN	192552000895	4" Round Trim, Smooth, Brushed Nickel	1
DLTRIM/R4RS-BR	192552000901	4" Round Trim, Smooth, Bronze	1
DLTRIM/R4RS-B	192552000918	4" Round Trim, Smooth, Black	1
DLTRIM/R4RB-BN	192552000956	4" Round Trim, Baffle, Brushed Nickel	1
DLTRIM/R4RB-BR	192552000963	4" Round Trim, Baffle, Bronze	1
DLTRIM/R4RB-B	192552000970	4" Round Trim, Baffle, Black	1

### 6" Color Trims (Field Installable)

#### Round-Smooth



Brushed Nickel Bronze Black

#### Round-Baffle



Brushed Nickel Bronze Black

Catalog Number	UPC	Description	Packaging
DLTRIM/R6RS-BN	192552000925	6" Round Trim, Smooth, Brushed Nickel	1
DLTRIM/R6RS-BR	192552000932	6" Round Trim, Smooth, Bronze	1
DLTRIM/R6RS-B	192552000949	6" Round Trim, Smooth, Black	1
DLTRIM/R6RB-BN	192552000987	6" Round Trim, Baffle, Brushed Nickel	1
DLTRIM/R6RB-BR	192552000994	6" Round Trim, Baffle, Bronze	1
DLTRIM/R6RB-B	192552001007	6" Round Trim, Baffle, Black	1

## ORDERING MATRIX

### Retrofit 4"

Family	Size-Shape	Wattage	CRI/CCT	Voltage Rating	Fixture Finish	Trim Finish
<b>R</b>				<b>120</b>	<b>W</b>	
	4R = 4" Round 4S = 4" Square	For Square: 7 = 7W  For Round: 8 = 8W	827=80CRI,2700K 830=80CRI,3000K 835=80CRI,3500K 840=80CRI,4000K  927=90CRI,2700K 930=90CRI,3000K 935=90CRI,3500K 940=90CRI,4000K 950=90CRI,5000K  Note: 3500K only for Round	120 = 120 V	W = White	S = Smooth B = Baffle  Note: Square only in baffle finish

### Retrofit 6"

Family	Size-Shape	Wattage	CRI/CCT	Voltage Rating	Fixture Finish	Trim Finish
<b>R</b>					<b>W</b>	
	6R = 6" Round 6S = 6" Square	For Square: 10 = 10W  For Round: 8 = 8W 10 = 10W 11 = 10.5W 14 = 14W	827=80CRI,2700K 830=80CRI,3000K 835=80CRI,3500K 840=80CRI,4000K  927=90CRI,2700K 930=90CRI,3000K 935=90CRI,3500K 940=90CRI,4000K 950=90CRI,5000K  Note: 3500K only for Round	120 = 120 V UNV = 120-277 V  Note: UNV only for 10W & 14W Round-Smooth trims	W = White	S = Smooth B = Baffle  Note: Square only in baffle finish