

# Field-Adjustable Post Top



275  
(No sensor port)



365 / 455 / 545 / 635  
(with 5-pin sensor port)



805/1005/1205  
(with 5-pin sensor port)

## Wattage and CCT Adjustable UL Type B



PROJECT:

DATE:

TYPE:

PREPARED BY:



### KEY FEATURES

- Replaces traditional metal halide or high pressure sodium HID lamp
- Adjustable wattage and CCT allow for in-field customization
- Lamp includes on board low-voltage AUX port for lamp-level sensor accessories (select models)
- Integral driver enables lamp to be wired directly to line voltage without need for an external driver or ballast
- Rated for use in enclosed fixtures in dry or damp locations
- 4kV surge protection built in
- 50,000-Hour lifespan
- Environmentally friendly, no mercury used
- UL Listed, DLC Listed (select models)
- Dimmable
- 5-Year, No-Compromise Warranty

### PERFORMANCE

Catalog Number	Equivalency	Input Wattage	Lumens (Nominal)	Efficacy lm/W	Color Temperature	CRI	L70 Lifespan	DLC ID
HIDFA-275-E26-8CCT-BYP	50/75/125W	12/18 /27W	1740/2610/3915	145	Field adjustable via dip switch 3000K/4000K/5000K	80+	50,000	N/A
HIDFA-275-EX39-8CCT-BYP	50/75/125W	12/18 /27W	1740/2610/3915	145		80+	50,000	PR1C77FW
HIDFA-365-E26-8CCT-BYP/5SP	75/125/150W	18/27/36W	2610/3915/5220	145		80+	50,000	N/A
HIDFA-365-EX39-8CCT-BYP/5SP	75/125/150W	18/27/36W	2610/3915/5220	145		80+	50,000	PANI3V6G
HIDFA-455-E26-8CCT-BYP/5SP	125/150/175W	27/36/45W	3915/5220/6525	145		80+	50,000	N/A
HIDFA-455-EX39-8CCT-BYP/5SP	125/150/175W	27/36/45W	3915/5220/6525	145		80+	50,000	PG98TFU5
HIDFA-545-E26-8CCT-BYP/5SP	150/175/200W	36/45/54W	5220/6525/7830	145		80+	50,000	N/A
HIDFA-545-EX39-8CCT-BYP/5SP	150/175/200W	36/45/54W	5220/6525/7830	145		80+	50,000	PK1M7DYL
HIDFA-635-EX39-8CCT-BYP/5SP	175/200/250W	45/54/63W	6525/7830/9135	145		80+	50,000	PNEUJU9B
HIDFA-805-EX39-8CCT-BYP/5SP	200/250/320W	54/63/80W	7830/9135/11600	145		80+	50,000	PDIHGBYQ
HIDFA-1005-EX39-8CCT-BYP/5SP	250/320/400W	63/80/100W	9135/11600/14500	145		80+	50,000	PEXK7EN6
HIDFA-1205-EX39-8CCT-BYP/5SP	320/400/600W	80/100/120W	11600/14500/17400	145		80+	50,000	PZW8AHTW

## TECHNICAL SPECIFICATIONS

### CONSTRUCTION

<b>Product Type</b> HID Replacement	<b>Base Type</b> E26, EX39
<b>Bulb Shape</b> Post top (sensor)	<b>Beam Angle</b> 360°
<b>Enclosure Material</b> Polycarbonate	
<b>Endcap Material</b> Metal	

### ELECTRICAL

**Dimmable**  
Yes, via the Lightcloud Blue mobile app and devices.  
The lamps will not operate properly when connected to a standard (incandescent) dimmer or dimming control.

**THD**  
≤20%

**Power Factor**  
≥0.9

**Input Voltage**  
100-277V

**Operating Frequency**  
50-60Hz

**Operating Temperature**  
-22°F to 140°F (-30°C to 60°C)

**Surge Protection**  
4 kV

**Flicker**  
<30%

### COMPLIANCE

**Safety Listing**  
UL Listed, UL Classified

**Environment**  
Suitable for use in dry and damp environments.

**Fixture Rating**  
Suitable for use in enclosed fixtures

**IP Rating**  
IP64

**DLC**  
Select products are on the Design Lights Consortium (DLC) Qualified Products List and is eligible for rebates from DLC Member Utilities. Designed to meet DLC 5.1 requirements.

**California Energy Commission (CEC) Status**  
Lawful for Sales in California

**FCC**  
Complies with Part 15 of the FCC Rules.

**RoHS**  
Mercury and UV free. RoHS-compliant components.

### INSTALLATION

<b>Installation Method</b> UL Type B, Ballast Bypass	<b>Installation Orientation</b> Vertical/Horizontal. The 120W is vertical installation only.
---	---

### LED CHARACTERISTICS

**Color Temperature**  
Field adjustable via dip switch 3000K/4000K/5000K

**Color Accuracy (CRI)**  
≥80

**R9 Value**  
High color performance with R9 no less than 0

**Color Consistency**  
<6-step MacAdam Ellipse binning to achieve consistent fixture-to-fixture color

**Color Stability**  
LED color temperature is warranted to shift no more than 200K in color temperature over a 5-year period

**Color Uniformity**  
RAB's range of Correlated Color Temperature follows the guidelines of the American National Standard for Specifications for the Chromaticity of Solid State Lighting (SSL) Products, ANSI C78.377-2017.

### OTHER

**Compatible Products**  
/5SP lamps are compatible with 3-pin sensors and 5-pin Lightcloud Blue controllers/sensors.

Add the Lightcloud Blue 5-Pin Plug-in Controller with optional sensor to connect to the Lightcloud Blue Bluetooth Mesh Wireless Network Lighting Control System. Learn more about Lightcloud Blue.

**Warranty**  
RAB warrants that our LED products will be free from defects in materials and workmanship for a period of five (5) years from the date of delivery to the end user, including coverage of light output, color stability, driver performance and fixture finish.

RAB's warranty is subject to all terms and conditions found at [rablighting.com/warranty](http://rablighting.com/warranty).

**Buy American Act Compliance**  
RAB values USA manufacturing! Upon request, RAB may be able to manufacture this product to be compliant with the Buy American Act (BAA). Please contact customer service to request a quote for the product to be made BAA compliant.

**Note**  
All values are typical (tolerance +/- 10%)

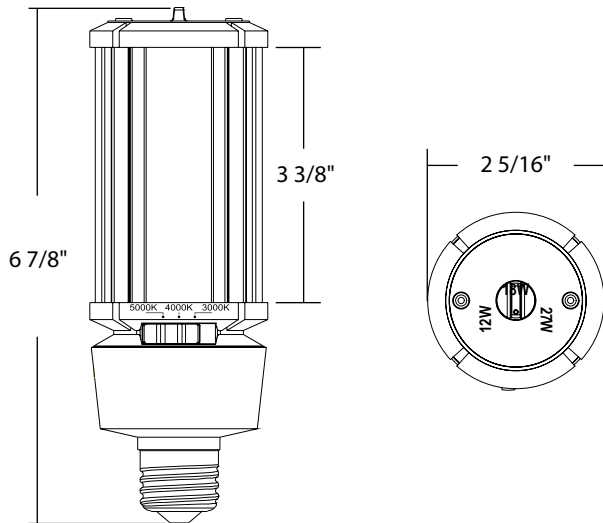
# Field-Adjustable Post Top



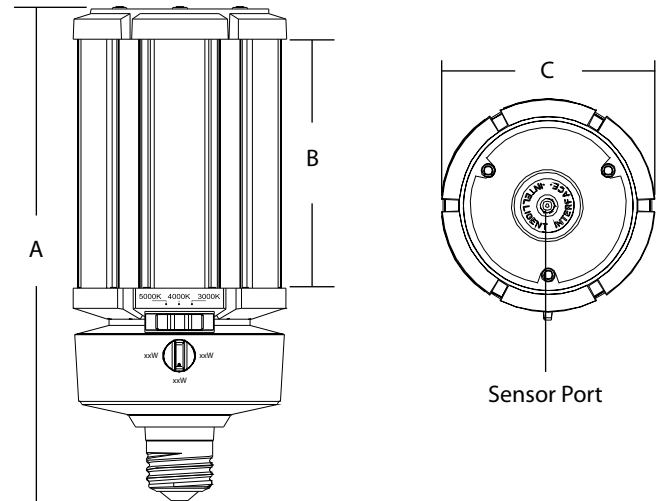
## DIMENSIONS

### HIDFA 12/18/27W - E26 Base

Weight: 0.8 lb



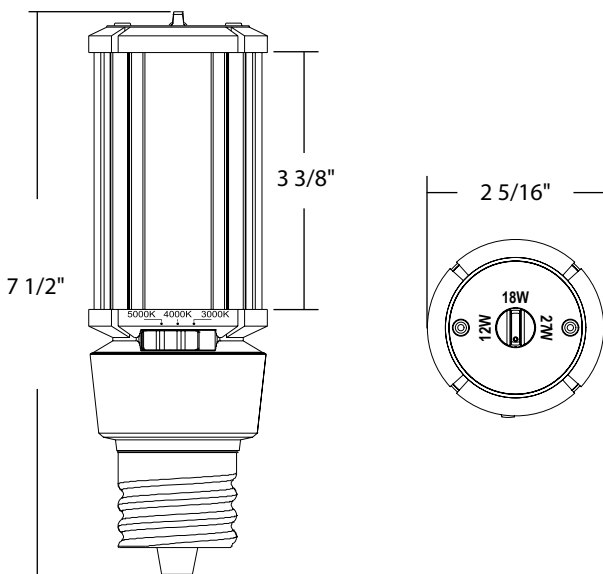
### HIDFA E26 Base



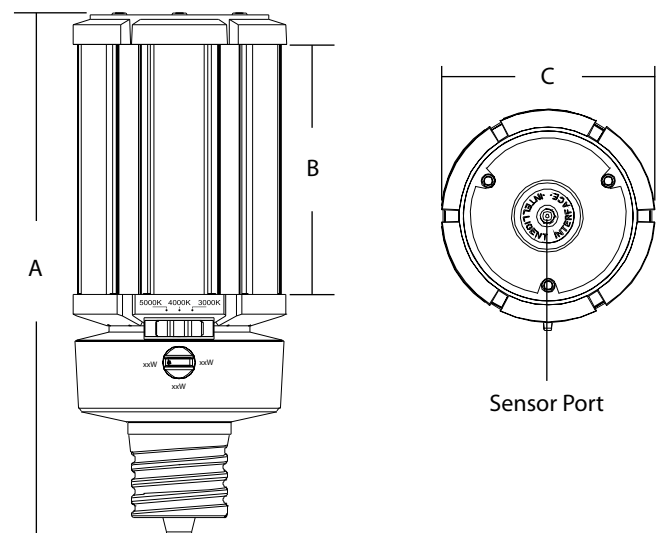
E26	Weight	A	B	C	Sensor Port
18/27/36W	1.6 lbs	7 7/8"	3 7/8"	3 3/8"	5-pin
27/36/45W	1.9 lbs	9 1/16"	5 1/16"	3 3/8"	
36/45/54W	1.9 lbs	9 1/16"	5 1/16"	3 3/8"	

### HIDFA 12/18/27W - EX39 Base

Weight: 0.8 lb



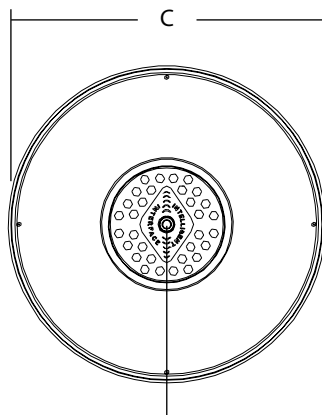
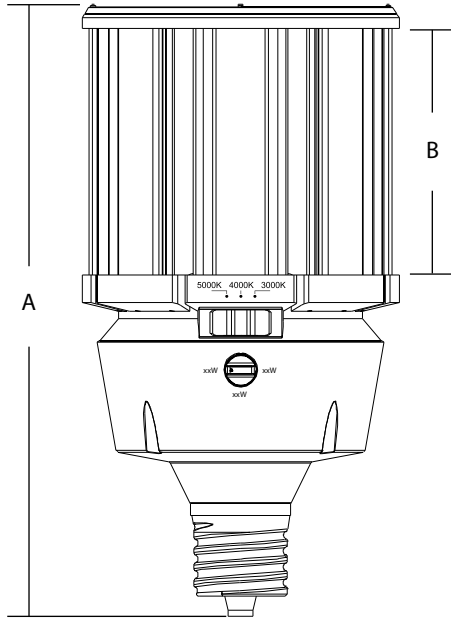
### HIDFA EX39 Base



EX39	Weight	A	B	C	Sensor Port
18/27/36W	1.6 lbs	8 3/8"	3 7/8"	3 3/8"	5-pin
27/36/45W	1.9 lbs	9 9/16"	5 1/16"	3 3/8"	
36/45/54W	1.9 lbs	9 9/16"	5 1/16"	3 3/8"	
45/54/63W	2 lbs	10 3/16"	5 11/16"	3 3/8"	

## DIMENSIONS (CONT.)

### HIDFA EX39 Base

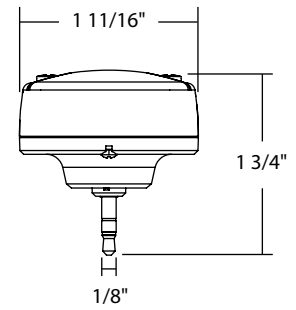
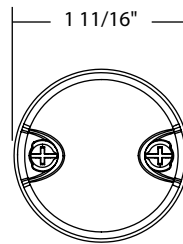


5-Pin Sensor Port

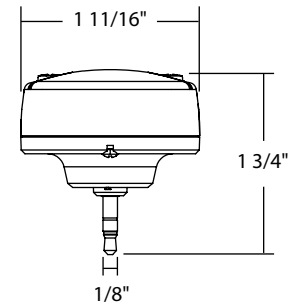
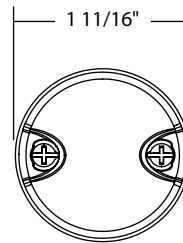
EX39	Weight	A	B	C	Sensor Port
54/63/80W	3.5 lbs	9 7/8"	4"	5 1/8"	5-pin
63/80/100W	3.8 lbs	10 1/2"	4 9/16"	5 1/8"	
80/100/120W	4 lbs	11 1/4"	5 3/8"	5 1/8"	

## ACCESSORIES (SOLD SEPARATELY)

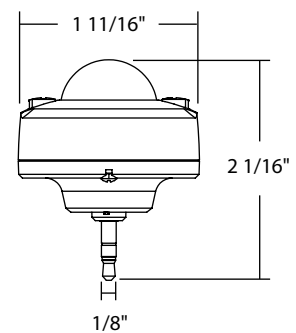
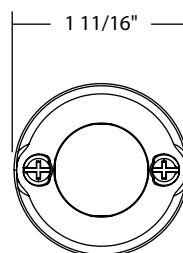
3-Pin sensors (Compatible with lamps with the 5-pin Sensor Port (/SSP))



SMW-S / MW-S



DAYLIGHT-S



SPIR-S / PIR-S

Catalog Number	UPC	Description
SMW-S	019813834818	Microwave sensor without daylight photocell built in.
MW-S	019813833064	Microwave sensor with daylight photocell built in.
DAYLIGHT-S	019813834832	Daylight sensor
SPIR-S	019813834825	Passive infrared sensor without daylight photocell built in.
PIR-S	019813833057	Passive infrared sensor with daylight photocell built in.

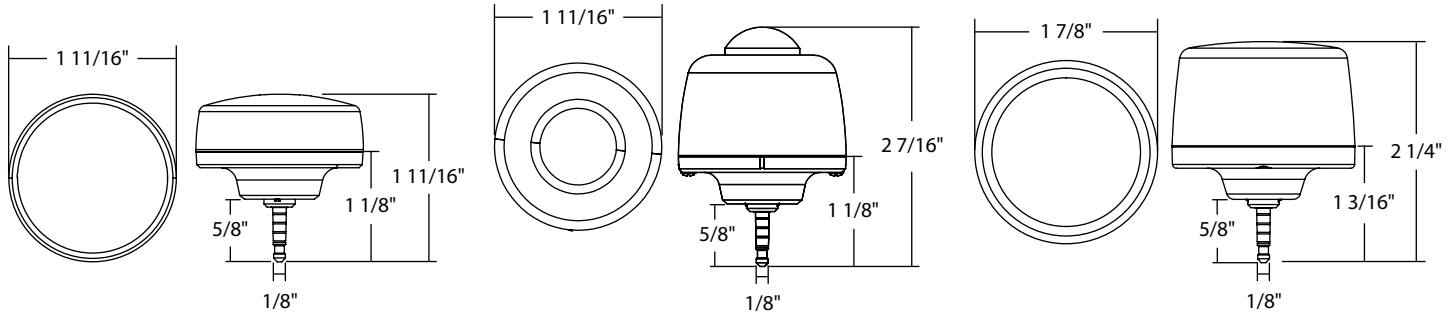
# Field-Adjustable Post Top



## DIMENSIONS (CONT.)

### ACCESSORIES (SOLD SEPARATELY)

#### Lightcloud Blue 5-pin controllers/sensors



CONTROL/W/AUX/5SP/LCB

CONTROL/W/AUX/5SP/LCBS

CONTROL/W/AUX/5SP/LCBS/MVS

Catalog Number	UPC	Description
CONTROL/W/AUX/5SP/LCB	192552025591	Lightcloud Blue 5-Pin plug-in controller
CONTROL/W/AUX/5SP/LCBS	192552025607	Lightcloud Blue 5-Pin plug-in controller + Passive infrared sensor + Photocell sensor
CONTROL/W/AUX/5SP/LCBS/MVS	192552025614	Lightcloud Blue 5-Pin plug-in controller + Microwave sensor + Photocell sensor

## ORDERING INFO

Catalog Number	Model Number (DLC)	UPC	Case Pack
HIDFA-27S-E26-8CCT-BYP	H10046(HIDFA-27S-E26-8CCT-BYP)	192552004985	12
HIDFA-27S-EX39-8CCT-BYP	H10047(HIDFA-27S-EX39-8CCT-BYP)	192552004978	12
HIDFA-36S-E26-8CCT-BYP/5SP	H20033(HIDFA-36S-E26-8CCT-BYP/5SP)	192552026932	12
HIDFA-36S-EX39-8CCT-BYP/5SP	H20034(HIDFA-36S-EX39-8CCT-BYP/5SP)	192552026925	12
HIDFA-45S-E26-8CCT-BYP/5SP	H20035(HIDFA-45S-E26-8CCT-BYP/5SP)	192552026956	12
HIDFA-45S-EX39-8CCT-BYP/5SP	H20036(HIDFA-45S-EX39-8CCT-BYP/5SP)	192552026949	12
HIDFA-54S-E26-8CCT-BYP/5SP	H20037(HIDFA-54S-E26-8CCT-BYP/5SP)	192552027021	12
HIDFA-54S-EX39-8CCT-BYP/5SP	H20038(HIDFA-54S-EX39-8CCT-BYP/5SP)	192552026963	12
HIDFA-63S-EX39-8CCT-BYP/5SP	H20039(HIDFA-63S-EX39-8CCT-BYP/5SP)	192552026970	12
HIDFA-80S-EX39-8CCT-BYP/5SP	H20040(HIDFA-80S-EX39-8CCT-BYP/5SP)	192552026987	6
HIDFA-100S-EX39-8CCT-BYP/5SP	H20041(HIDFA-100S-EX39-8CCT-BYP/5SP)	192552026994	6
HIDFA-120S-EX39-8CCT-BYP/5SP	H20042(HIDFA-120S-EX39-8CCT-BYP/5SP)	192552027007	6

# Field-Adjustable Post Top



## ORDERING MATRIX

Family	Wattage	Base Type	CRI/Color Temp	Installation Type	Sensor
<b>HIDFA</b>	-	-	<b>8CCT</b>	<b>BYP</b>	
	27S 12/18/27W	<b>EX39</b> Exclusionary Base	<b>8CCT</b> 80 CRI, CCT Selectable	<b>BYP</b> Ballast Bypass	<b>Blank</b> No sensor**
	36S 18/27/36W	<b>E26</b> Edison Base*			<b>/5SP</b> 5-Pin Sensor Port†
	45S 27/36/45W				
	54S 36/45/54W				
	63S 45/54/63W				
	80S 54/63/80W				
	100S 63/80/100W				
	120S 80/100/120W				
	Wattage Selectable				

\*E26 Base is only available in 27S, 36S, 45S, and 54S wattages.

\*\*Available only in 27S wattage

†5SP only available in 36S/45S/54S/63S/80S/100S/120S