

# “LES” is even more than before.

2X13W LESLIE® delivers wide coverage and surprising value.



**RAB**

Outdoor



# LESLIE 2x13

- Equivalent to two 75W PAR30
- Wide 6H x 6V distribution
- Diffused lens for smooth, even light distribution
- Sensor with 180° detection pattern at up to 30 ft.
- Time settings from 5 seconds to 15 minutes
- Adjustable photo and motion sensitivity

## Specifications

### FLOODLIGHTS

**UL Listing:** Suitable for wet locations. Suitable for mounting within 4 feet of the ground.

**LEDs:** Long-life, high-efficiency surface mount LEDs

**Driver:** 120V driver, 50/60 Hz, 0.22A

### LESLIE2X13:

	5000K	4000K	3000K
<b>Color Temperature</b>			
<b>Input Watts</b>	27	26	27
<b>Output Lumens</b>	2338	2276	2090
<b>Efficacy (lm/W)</b>	87	87	79
<b>Color Accuracy (CRI)</b>	83	83	83

**Cold Weather Starting:** The minimum starting temperature is -40° C.

**Ambient Temperature:** Suitable for use in 40°C ambient temperatures.

**Housing:** Precision die-cast aluminum housing, lens frame and mounting arm

**Reflector:** Vacuum-metallized polycarbonate

**Lens:** Diffused glass for smooth, even light distribution

**Gaskets:** High-temperature silicone

**Finish:** Our environmentally friendly polyester powder coatings are formulated for high durability and long-lasting color, and contain no VOC or toxic heavy metals.

**Green Technology:** Mercury and UV free. RoHS-compliant components.

### SENSOR

**Switching Capacity:** 500 Watts of LED

**Voltage:** 120VAC, 60 Hz.

**Sensor Power Consumption (when idle):** 1 Watt

**Time Adjustment:** 5 seconds to 15 minutes

**Sensor LED:** Sensor indicator LED glows red day & night for "on guard" deterrence

**Surge Protection:** Withstands up to 3000 Volts

**"No Hands" Auto Testing:** Auto mode starts after 4 minutes of testing. No adjustment needed.

**Manual Override:** Double flip wall switch logic prevents activation by momentary power outages. Override resets to auto at dawn. No extra wiring needed. 8-hour reset.

**RF Immunity:** Circuits fully shielded for maximum radio frequency immunity

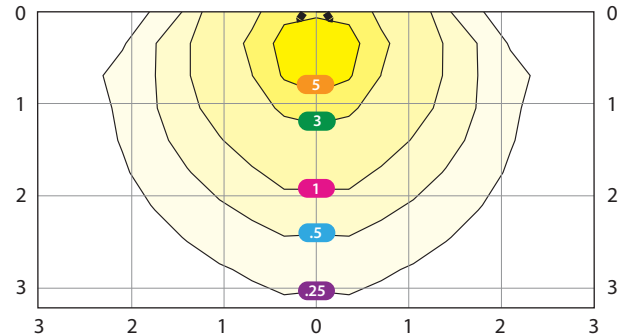
**Photoelectric Control:** Deactivates lights during daylight. Fully adjustable for 24-hour operation or custom applications.

**Adjustments:** Time, ambient light & sensitivity

## Photometrics & Detection Pattern

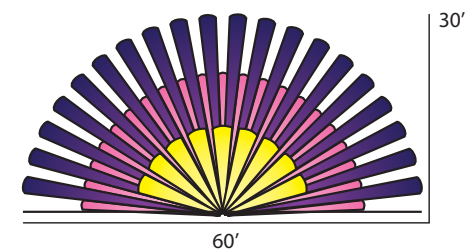
### LESLIE 2X13 Mounted at 10 ft.

**Aimed 45° below horizontal, 30° either side of center**



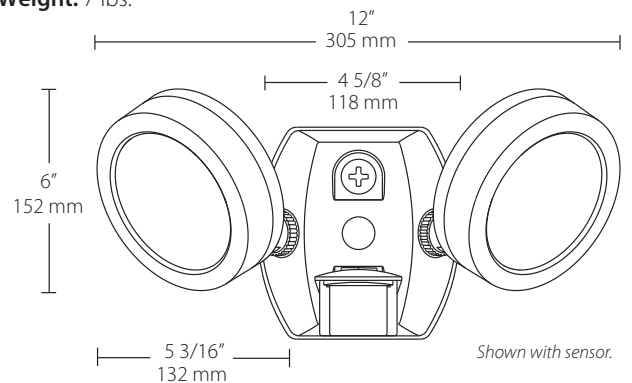
Multiples of Mounting Height • Values Shown in Footcandles  
Photometric Report #RAB02099

### SMS500 - 180° coverage



## Dimensions

**Weight:** 7 lbs.



## Ordering Information

Product Family	Wattage	Color Temp	Finish
LES Without sensor	2X13	Blank 5000K	Blank Bronze
SMSLES With sensor		N 4000K	W White
		Y 3000K	B Black*
			VG Verde Green*

\*Not available with sensor.