

Low profile, low glare.  
Edge-lit technology unlike any other.

---

**IVELOT™**

---

**RAB** | Outdoor

# IVELOT™

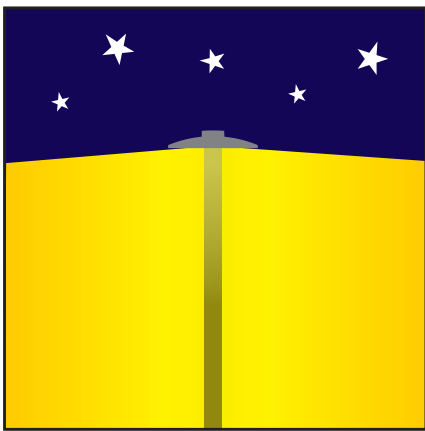


- Available in 4,500lm (38W), 7,500lm (67W), 10,000lm (94W) and 13,000lm (117W) models
- Offered with 3 mounting options: universal pole adapter, wall or slipfitter
- Type II, III, IV, VS and Forward Throw distributions
- 0-10V Dimming, standard
- Motion sensor, photocell and Lightcloud® Controller options available
- 100,000-Hour LED lifespan

RAB's warranty is subject to all terms and conditions found at [rablighting.com/warranty](http://rablighting.com/warranty).



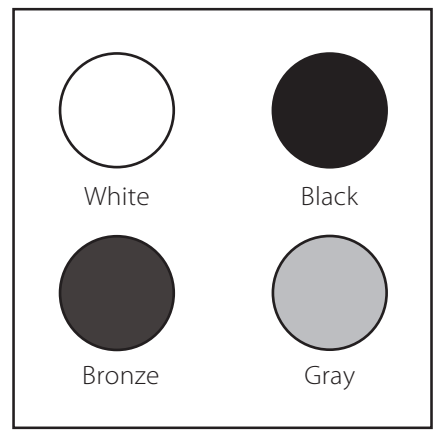
Visit [rablighting.com](http://rablighting.com) to see which models are DLC listed.



The IVELOT is a complete cutoff, fully shielded area light that minimizes glare, while reducing light trespass.



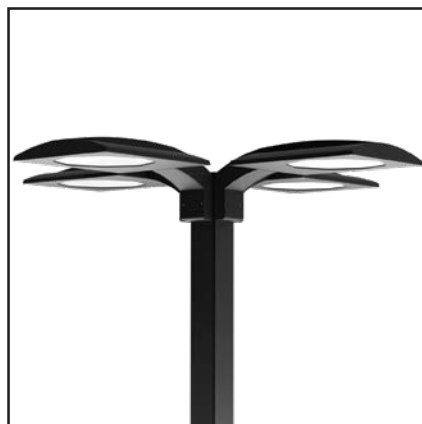
IVELOT offers several mounting options to support a variety of applications. *(Universal Pole Adapter shown)*



Available in four color finishes: bronze, black, white and gray. *(gray has no texture)*



Available with Lightcloud Controller.



Lightweight, low-profile design, and a low EPA help reduce the load on a pole.



Available with an optional, integrated motion sensor or photocell.

## Specifications

---

**UL:**

Suitable for wet locations

**LEDs:**

Long-life, high-efficiency, micro-power, surface-mount LEDs

**Drivers(s):**

Class 2, 50/60Hz. 120 - 277V, 347-480V, 4kV standard, 10kV optional surge protection

**Dimming Driver:**

Driver includes dimming control wiring for 0-10V dimming systems. Requires separate 0-10V DC dimming circuit. Dims as low as 10%.

**Lifespan:**

100,000-hour LED lifespan based on IES LM-80 results & TM-21 calculations at 25°C

**IP Rating:**

Ingress Protection rating of IP66 for dust and water

**Color Weather Starting:**

Minimum starting temperature is -40°C (-40°F)

**Maximum Ambient Temperature:**

Suitable for use in 40°C (104°F) temperatures

**Housing:**

Die-cast aluminum housing

**Mounting:**

Universal pole adapter, slipfitter or wall mount options available

**Lens:**

Diffused Polymethyl Methacrylate (PMMA)

**Vibration Rating:**

3G vibration tested per ANSI C136.31

**Effective Projected Area:**

EPA = 0.61

**Color Stability:**

LED color temperature is warranted to shift no more than 200K in CCT over a 5-year period

**Color Uniformity:**

RAB's range of CCT (Correlated Color Temperature) follows the guidelines of the American National Standard for Specifications for the Chromaticity of Solid State Lighting (SSL) Products, ANSI C78.377-2017.

**Title 24 Compliant:**

An IVELOT edge-lit area light can be used with a motion sensor or photocell control option to comply with 2016 Title 24 Part 6 Section 130.2 (a,b,c).

**Finish:**

Formulated for high durability and long-lasting color

**Green Technology:**

Mercury and UV free. RoHS-compliant components

**IESNA LM-79 Testing:**

RAB LED luminaires have been tested by an independent laboratory in accordance with IESNA LM-79

# Performance

## Type II

	IVAT2 - 100L			IVAT2 - 75L			IVAT2 - 45L		
	5000K	4000K	3000K	5000K	4000K	3000K	5000K	4000K	3000K
Color Temperature	5000K	4000K	3000K	5000K	4000K	3000K	5000K	4000K	3000K
Input Watts	92	93	93	66	67	67	37	38	38
Output Lumens	10,739	10,095	10,167	7,961	7,484	7,537	4,340	4,080	4,109
Efficacy (lm/W)	117	109	110	120	112	112	117	109	110
Color Accuracy (CRI)	75	73	80	75	73	80	75	73	81
	<i>(Replaces 400W PSMH)</i>			<i>(Replaces 320W PSMH)</i>			<i>(Replaces 175W PSMH)</i>		

## Type III

	IVAT3 - 100L			IVAT3 - 75L			IVAT3 - 45L		
	5000K	4000K	3000K	5000K	4000K	3000K	5000K	4000K	3000K
Color Temperature	5000K	4000K	3000K	5000K	4000K	3000K	5000K	4000K	3000K
Input Watts	96	96	91	70	70	66	40	40	38
Output Lumens	11,359	9,939	9,588	7,608	6,657	6,422	4,963	4,342	4,189
Efficacy (lm/W)	118	103	105	110	96	98	124	109	111
Color Accuracy (CRI)	75	73	81	75	73	80	75	73	80
	<i>(Replaces 400W PSMH)</i>			<i>(Replaces 320W PSMH)</i>			<i>(Replaces 175W PSMH)</i>		

## Type IV

	IVAT4 - 130L			IVAT4 - 100L			IVAT4 - 75L			IVAT4 - 45L		
	5000K	4000K	3000K	5000K	4000K	3000K	5000K	4000K	3000K	5000K	4000K	3000K
Color Temperature	5000K	4000K	3000K	5000K	4000K	3000K	5000K	4000K	3000K	5000K	4000K	3000K
Input Watts	117	116	117	95	95	93	66	66	66	37	37	37
Output Lumens	14,322	14,174	13,232	11,361	10,832	10,207	7,429	7,353	6,864	4,906	4,856	4,533
Efficacy (lm/W)	123	122	113	120	115	109	113	112	104	132	131	121
Color Accuracy (CRI)	75	72	80	90	90	90	75	72	80	75	72	80
	<i>(Replaces 450W PSMH)</i>			<i>(Replaces 250W PSMH)</i>			<i>(Replaces 150W PSMH)</i>			<i>(Replaces 100W PSMH)</i>		

## Type VS

	IVAT5S - 130L			IVAT5S - 100L			IVAT5S - 75L			IVAT5S - 45L		
	5000K	4000K	3000K	5000K	4000K	3000K	5000K	4000K	3000K	5000K	4000K	3000K
Color Temperature	5000K	4000K	3000K	5000K	4000K	3000K	5000K	4000K	3000K	5000K	4000K	3000K
Input Watts	118	115	116	97	95	95	66	64	65	38	37	38
Output Lumens	14,494	13,357	12,659	11,577	11,508	10,032	8,434	7,772	7,366	5,210	4,801	4,550
Efficacy (lm/W)	123	116	109	119	122	106	129	122	114	136	128	120
Color Accuracy (CRI)	74	72	80	90	90	90	74	72	80	74	72	80
	<i>(Replaces 450W PSMH)</i>			<i>(Replaces 400W PSMH)</i>			<i>(Replaces 300W PSMH)</i>			<i>(Replaces 320W PSMH)</i>		

## Type FT (Forward Throw)

	IVAFT - 100L			IVAFT - 75L			Type FT - 45L		
	5000K	4000K	3000K	5000K	4000K	3000K	5000K	4000K	3000K
Color Temperature	5000K	4000K	3000K	5000K	4000K	3000K	5000K	4000K	3000K
Input Watts	95	91	93	68	65	67	39	37	38
Output Lumens	10,594	9,999	9,970	7,927	7,482	7,460	4,928	4,651	4,638
Efficacy (lm/W)	111	110	108	116	115	112	127	125	122
Color Accuracy (CRI)	75	73	80	74	72	80	74	72	80
	<i>(Replaces 400W PSMH)</i>			<i>(Replaces 320W PSMH)</i>			<i>(Replaces 175W PSMH)</i>		

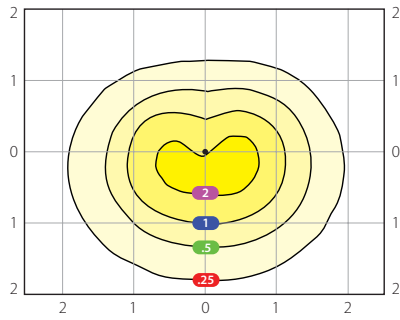
# Photometrics

## IVAT2-100L

(Type II)

25' Mounting Ht.

Photometric Report  
#DLF1810114-11A.IES



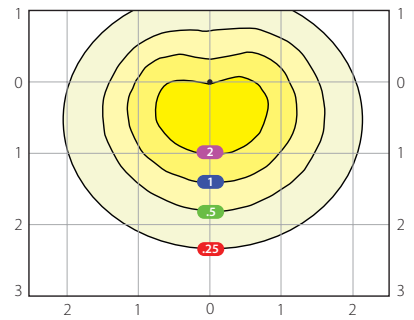
Mounting Height	15	20	25	30	35
Multiplier	2.8	1.6	1.0	0.7	0.5

## IVAT3-100L

(Type III)

25' Mounting Ht.

Photometric Report  
#DLF1810114-14A.IES



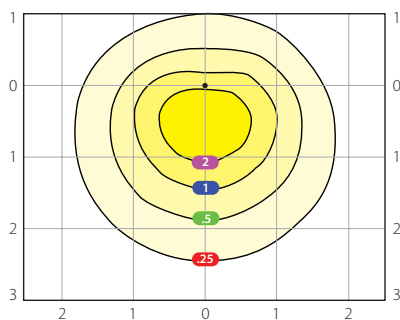
Mounting Height	15	20	25	30	35
Multiplier	2.8	1.6	1.0	0.7	0.5

## IVAF7-100L

(Forward Throw)

25' Mounting Ht.

Photometric Report  
#DLF1810114-17A.IES



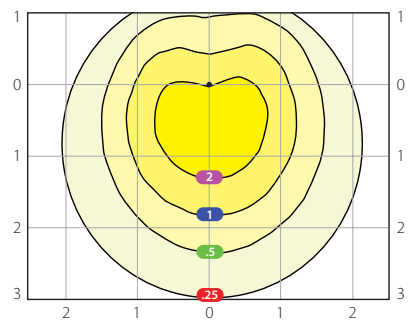
Mounting Height	15	20	25	30	35
Multiplier	2.8	1.6	1.0	0.7	0.5

## IVAT4-130L

(Type IV)

25' Mounting Ht.

Photometric Report  
#DLF1810114-20A.IES



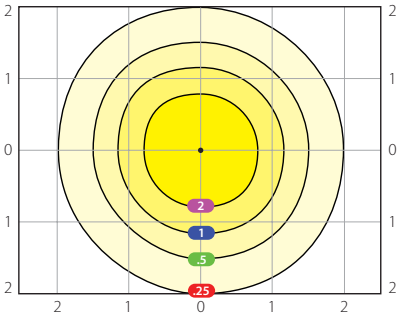
Mounting Height	15	20	25	35	30
Multiplier	2.8	1.6	1.0	0.5	0.7

## IVAT5S-130L

(Type V Square)

25' Mounting Ht.

Photometric Report  
#DLF1810114-23A.IES



Mounting Height	15	20	25	35	30
Multiplier	2.8	1.6	1.0	0.5	0.7

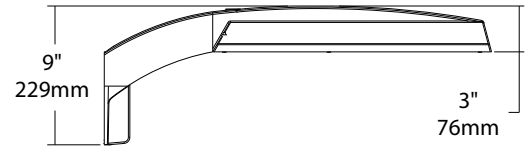
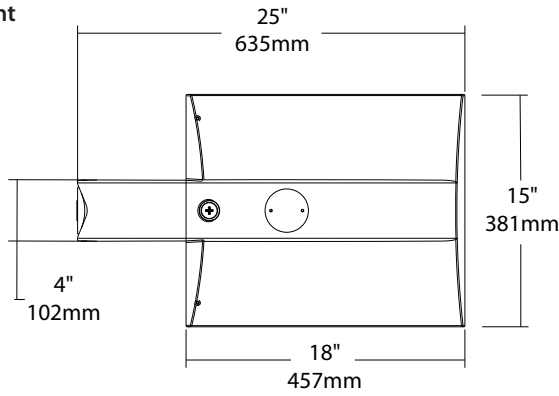
Grid Scales: Multiples of Mounting Height Values Shown in Footcandles

Watts	Lumens Based on 5000K CCT @ 120Vac					Avg Lumens Across All Dist Types
	Type II	Type III	Type IV	Type VS	Forward Throw	
38W	4,340	4,963	4,906	5,210	4,928	4,869
67W	7,961	7,608	7,429	8,434	7,927	7,872
94W	10,739	11,359	10,832	11,577	10,594	10,897
117W	n/a	n/a	14,322	14,494	n/a	14,408

# Mountings, Dimensions & Weights

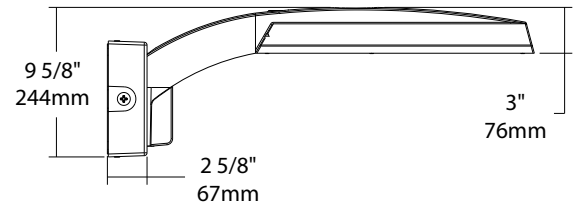
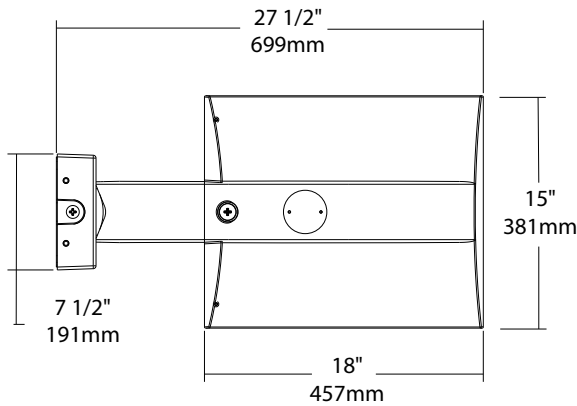
## PA - Universal Pole Mount

Weight: 15.0 lbs (7kg)



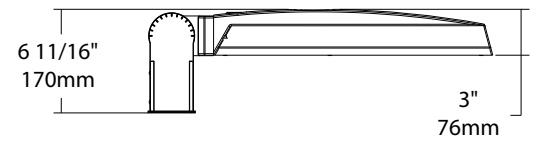
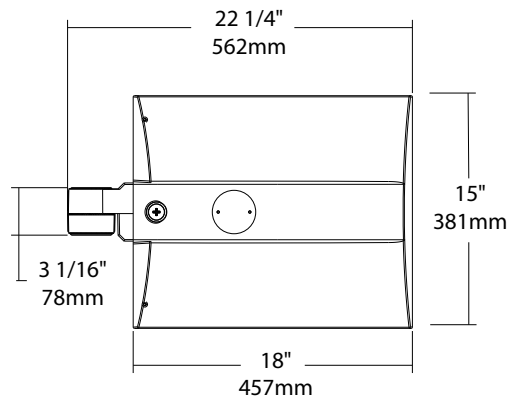
## WM - Wall Mount

Weight: 20.0 lbs (9kg)



## SF - Slipfitter Mount

Weight: 13.5 lbs (6kg)



# Ordering information

Product Family	Optics /Distribution	Lumen Output	Mounting	CCT/CRI	Finish	Voltage/Driver	Sensor Options	Lightcloud Option
IVA								
T2	Type II	45L 4500 lumens (38W)	PA Universal Pole Adapter	750 5000K (Cool), 70 CRI	Z Bronze	U 120-277V, 0-10V Dimming	Blank No Sensor	Blank No Lightcloud
T3	Type III	75L 7500 lumens (67W)	WM Wall Mount	740 4000K (Neutral), 70 CRI	W White	H 347-480V, 0-10V Dimming	/WS Multi-Level Motion Sensor, 8ft mounting	/LC Lightcloud Controller <sup>2</sup>
T4	Type IV	130L 13000 lumens (117W)	SF Slipfitter	730 3000K (Warm), 70 CRI	G Roadway Gray		/WS2 Multi-Level Motion Sensor, 20ft mounting	
T5S	Type V Sq				K Black		/WS4 Multi-Level Motion Sensor, 40ft mounting	
FT	Forward Throw						/7PR 7-Pin Receptacle	

### ACCESSORIES (SOLD SEPARATELY)

IVA-SF	Single Fuse (120V, 277V)
IVA-DF	Double Fuse (208V, 240V, 480V)
RSP10GI-277	10kV Surge Protector (120V & 277V)
RSP10GI-480	10kV Surge Protector (480V)

1. Applies to TYPE IV, V Square | 2. Applies to 120-277V