

FXLED 150

Replaces 400 Watt Metal Halide Floodlight



RAB[®]

Specifications

UL Listing: Suitable for wet locations. Suitable for ground mounting.

LEDs: Multi-chip, high-output, long-life LEDs

Lifespan: 100,000-hour LED lifespan based on IES LM-80 results and TM-21 calculations

Drivers: Class 2, 50/60 Hz, 120-277V, Surge Protection 4kV

Nominal Watts @ 120V	78W	105W	125W	150W
Output Lumens*	9,989	14,029	18,101	20,686
Lumens Per Watt*	127	128	132	126
Color Accuracy (CRI)*	75	72	72	72

Bi-Level Operation (optional): Allows 50% and 100% output modes

Dimming: Available as On/Off or with 0-10V dimming driver (for all models except the FXLED105 family)

Cold Weather Starting: The minimum starting temperature is -40°C.

Thermal Management: Superior heat sinking with external Air-Flow fins

Housing: Die-cast aluminum housing and door frame

Mounting: Slipfitter or trunnion with stainless steel hardware

Color Consistency: 7-step MacAdam Ellipse binning to achieve consistent fixture-to-fixture color

Color Stability: LED color temperature is warranted to shift no more than 200K in CCT over a 5 year period.

Color Uniformity: RAB's range of CCT (Correlated Color Temperature) follows the guidelines of the American National Standard for Specifications for the Chromaticity of Solid State Lighting (SSL) Products, ANSI C78.377-2011.

Reflector: Specular, vacuum-metalized polycarbonate

NEMA Type: 6H x 6V

Field & Beam Angles:

Beam Angles	Horizontal (50%): 91.8°	Vertical (50%): 73.5°
Field Angles	Horizontal (10%): 121.0°	Vertical (10%): 108.0°

Gaskets: High-temperature silicone gaskets

Finish: Our environmentally friendly polyester powder coatings are formulated for high-durability and long-lasting color, and contain no VOC or toxic heavy metals.

Green Technology: Mercury and UV free, and RoHS compliant. Polyester powder coat finish formulated without the use of VOC or toxic heavy metals.

IESNA LM-79 & LM-80 Testing: RAB LED luminaires have been tested by an independent laboratory in accordance with IESNA LM-79 and LM-80, and have received the Department of Energy "Lighting Facts" label.

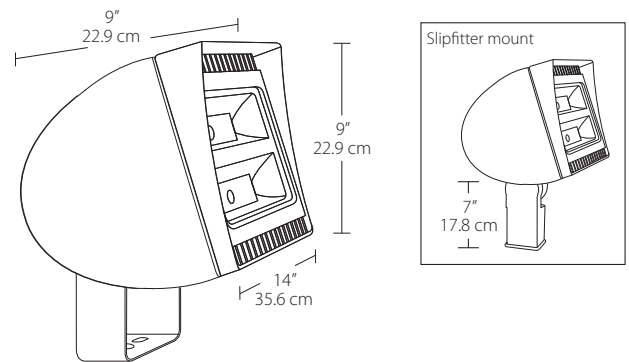
Patents: The design of the FXLED150 is protected by patents pending in US, Canada, China, Taiwan and Mexico.

*Values shown for cool temperature. For neutral and warm, please visit rabweb.com.

FXLED 150

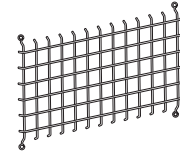
- Replaces 400W MH floodlights
- 66% energy cost savings vs. HID
- 100,000-hour LED lifespan
- NEMA Type - 6H x 6V
- Slipfitter and trunnion mounting available
- Bi-level operation (optional)
- 0-10V dimming (optional)
- Air-Flow technology heat dissipation
- 5-year warranty

Dimensions

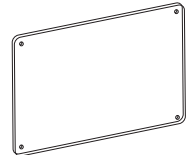


Accessories

Wire Guard
GDFXLED78W



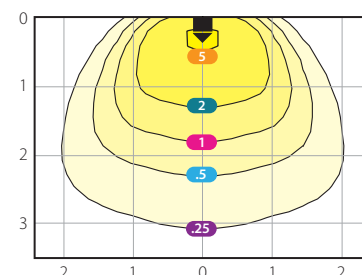
Polysield
GDFXLED78P



Photometrics

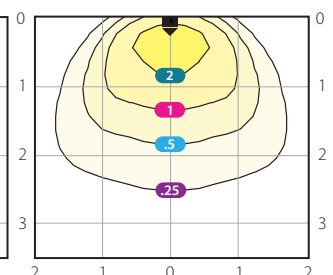
FXLED™ 150W

30' Mounting Height
Aimed 45° Below Horizon



FXLED™ 78W

30' Mounting Height
Aimed 45° Below Horizon



Ordering information

Product Family

FXLED

Wattage

78 78W
105 105W
125 125W
150 150W

Mounting

SF Slipfitter
T Trunnion

Color Temp

Blank 5000K
N 4000K
Y 3000K

Color

Blank Bronze
W White

Driver Options

/480 480V
/BL Bi-Level*
/D10 0-10V Dimming**

Photocell Options

/PCT 100 - 277V Twistlock
/PCT4 480V Twistlock

*Slipfitter models only

**Available for 78, 125 and 150W models