



PROJECT: _____

DATE: _____

TYPE: _____

PREPARED BY: _____



Economy, ultra-slim LED surface mounts



KEY FEATURES

- Super **low profile** backlit LED with **driverless design**
- Stamped **aluminum** housing
- New construction or retrofit** applications
- Simple and quick installation** from below the ceiling
- Install as on 3 1/2", 4" and pancake junction boxes
- Suitable for **Damp locations**
- Dimmable **down to 10%** on compatible dimmers
- Suitable for use in **closets**
- 5-Year, Limited Warranty**

TECHNICAL SPECIFICATIONS

PERFORMANCE

Product Type

Disk Surface Mount / Retrofit

Dimmable

TRIAC and ELV dimming compatibility

LEDs

Backlit LED Technology

Lifespan

50,000-Hour LED lifespan based on IES LM-80 results and TM-21 calculations

CONSTRUCTION

Size

4" and 6"

Shape

Round

Housing

Stamped aluminum construction

Finish

White

Trim Style

Smooth

Lens

Tool-less, twist-and-lock frosted polycarbonate diffusion lens

Beam Angle

110°

ELECTRICAL

THD

50%

Power Factor

≥0.9

Input Voltage

120V

Operating Frequency

60Hz

Operating Temperature

-30°C - 40°C

Note

All values are typical (tolerance +/- 10%)

OTHER

Equivalency

4" - 65W Incandescent

6" - 75W Incandescent

Base Type

E26 socket available as separate retrofit accessory

Warranty

The RAB 5-year, limited warranty covers light output, driver performance and paint finish. RAB's warranty is subject to all terms and conditions found at rablighting.com/warranty.

**RAB's warranty is subject to all terms and conditions found at rablighting.com/warranty.

TECHNICAL SPECIFICATIONS Continued

INSTALLATION

Mounting

Install from below design. Suitable for installation in many. 3-1/2" and 4" octagon and round electrical junction boxes. Compatible with compact/pancake junction boxes. Bracket Adapter, Screws, and wire nuts included.

COMPLIANCE

Safety Listing

UL Listed, UL Classified

Environment

Damp

Fixture Rating

Open

IC Rated

Suitable for direct contact with insulation

NEC Compliant

Suitable for use in closets. Compliant with NEC Sec. 410.16 (A)(1) and 410.16 (C)(3)

T24 JA8 Compliant

Can be used to conform with the requirements of California Title 24 Part 6

RoHS

Mercury and UV free. RoHS-compliant components.

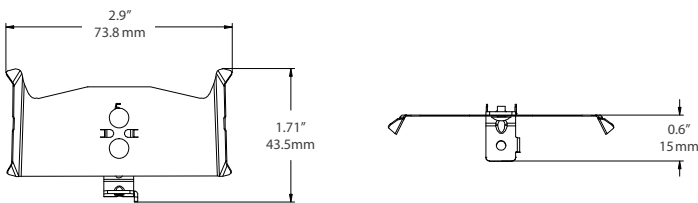
FCC

Complies with Part 15 of the FCC Rules

ACCESSORIES

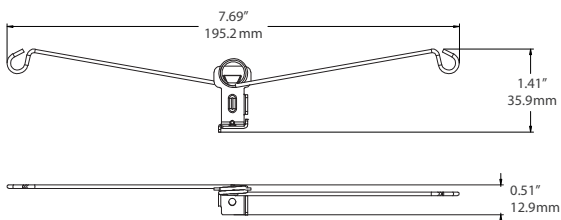
FRICTION CLIPS

DSK34-4/ACC



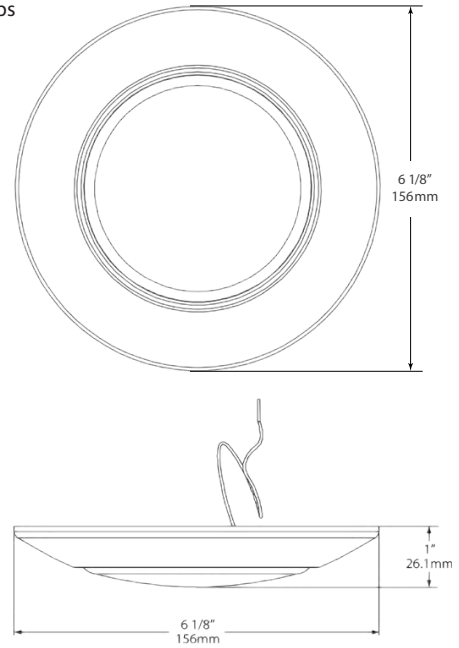
TORSION SPRINGS

DSK34-6/ACC



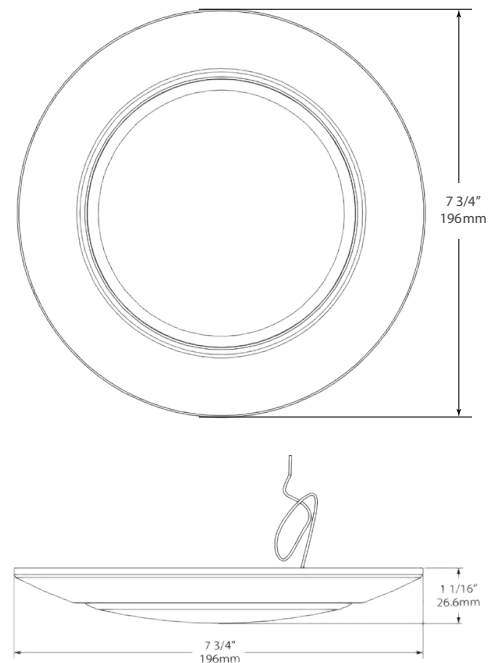
DSK34 4"

Weight 0.4 lbs



DSK4 6"

Weight 0.5 lbs



PERFORMANCE

DISK34 4"

12W	5000K Cool	4000K Neutral	3500K Warm neutral	3000K Warm	2700K Residential warm
LUMENS	750	750	750	750	750
INPUT WATTS	12	12	12	12	12
LM/W	62.5	62.5	62.5	62.5	62.5
CRI	90	90	90	90	90

DISK34 6"

16W	5000K Cool	4000K Neutral	3500K Warm neutral	3000K Warm	2700K Residential warm
LUMENS	1,000	1,000	1,000	1,000	1,000
INPUT WATTS	16	16	16	16	16
LM/W	62.5	62.5	62.5	62.5	62.5
CRI	90	90	90	90	90

ORDERING INFORMATION

DISK34

Family	Size	Shape	Wattage	CRI/Color Temp	Voltage	Finish	Trim
DSK34	<div style="border: 1px solid black; width: 100px; height: 20px; margin-bottom: 5px;"></div> 4 4"	<div style="border: 1px solid black; width: 100px; height: 20px; text-align: center; margin-bottom: 5px;">R</div> R Round	<div style="border: 1px solid black; width: 100px; height: 20px; margin-bottom: 5px;"></div> 12 12W 16 16W	<div style="border: 1px solid black; width: 100px; height: 20px; margin-bottom: 5px;"></div> 950 90 CRI, 5000K 940 90 CRI, 4000K 935 90 CRI, 3500K 930 90 CRI, 3000K 927 90 CRI, 2700K*	<div style="border: 1px solid black; width: 100px; height: 20px; text-align: center; margin-bottom: 5px;">120</div> 120 120V	<div style="border: 1px solid black; width: 100px; height: 20px; text-align: center; margin-bottom: 5px;">W</div> W White	<div style="border: 1px solid black; width: 100px; height: 20px; text-align: center; margin-bottom: 5px;">S</div> S Smooth