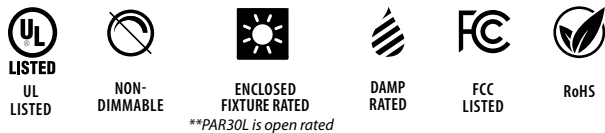




PAR30L 19W  
(5-Years, No-Compromise Warranty)

PAR38 26W  
(4-Years, No-Compromise Warranty)

## High Output PAR38 and PAR30L 120-277V



PROJECT: \_\_\_\_\_

DATE: \_\_\_\_\_

TYPE: \_\_\_\_\_

PREPARED BY: \_\_\_\_\_



\*\*5-Years, No-Compromise warranty for PAR30L

### KEY FEATURES

- Replacement for **high-output incandescent/halogen or ceramic metal halide**
- Commercial-grade, **Large metal heatsink** for optimal heat dissipation
- In HID retrofit applications - Integral driver enables lamp to be wired directly to line voltage. Must bypass ballast
- Produces rich and vibrant colors **>90CRI**
- Available in 25° narrow flood and 40 degree flood
- Energy-efficient replacement for **incandescent and halogen PAR lamps**
- Constructed from **durable materials** which lowers risk of breakage
- Rated for use in enclosed and open fixtures in dry and damp locations
- Single optic and full face lens for **precise beam angle control**
- Longer lifespan compared to legacy equivalents
- **minimizes replacement and maintenance costs**
- **Title 20 Compliant, UL Listed**
- **Non-dimmable**

### PERFORMANCE

Catalog Number	Equivalency	Input Wattage	Lumen	MBCP	Efficacy lm/W	Color Temperature	CRI	L70 Lifespan
PAR30L-19-E26-930-25D-ND	75W Halogen / 39W CMH	19W	1800	7893	95	3000K	90	50,000
PAR30L-19-E26-940-25D-ND		19W	1800	7893	95	4000K	90	50,000
PAR30L-19-E26-930-40D-ND		19W	1800	3272	95	3000K	90	50,000
PAR30L-19-E26-940-40D-ND		19W	1800	3272	95	4000K	90	50,000
PAR38-26-930-25D-ND	250W Halogen / 70W CMH	26W	2400	8160	92	3000K	90	40,000
PAR38-26-940-25D-ND		26W	2400	3400	92	4000K	90	40,000
PAR38-26-930-40D-ND		26W	2400	8160	92	3000K	90	40,000
PAR38-26-940-40D-ND		26W	2400	3400	92	4000K	90	40,000

## TECHNICAL SPECIFICATIONS

### CONSTRUCTION

<b>Product Type</b> Commercial PAR	<b>Base Type</b> E26
<b>Bulb Shape</b> PAR38   PAR30L	<b>Beam Angle</b> 25°   40°
<b>Housing Material</b> Cast Aluminum	
<b>Housing Finish</b> White	

### COMPLIANCE

<b>Safety Listing</b> UL Listed
<b>Environment/Fixture Rating</b> Damp / Enclosed
<b>T20 Compliant</b> Yes, Title 20 Tier 2
<b>DLC</b> This product is on the Design Lights Consortium (DLC) Qualified Products List and is eligible for rebates from DLC Member Utilities
<b>FCC</b> Complies with Part 15 of the FCC Rules.
<b>RoHS</b> Mercury and UV free. RoHS-compliant components.

### ELECTRICAL

<b>Power Factor</b> >0.9
<b>Input Voltage</b> 120-277V
<b>Operating Frequency</b> 60Hz
<b>Operating Temperature</b> -20°C to 45°C   -20°C to 40°C
<b>Note</b> All values are typical (tolerance +/- 10%)

### OTHER

#### Warranty

##### PAR38: 4-Year, No-Compromise Warranty

The RAB 4-year, no-compromise warranty covers light output, color stability, driver performance, paint finish and labor.

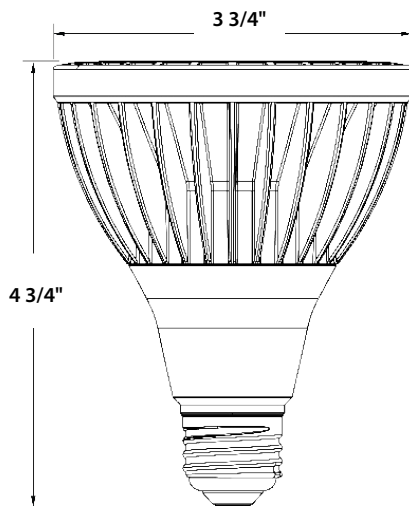
##### PAR30L: 5-Year, No-Compromise Warranty

RAB warrants that our LED products will be free from defects in materials and workmanship for a period of five (5) years from the date of delivery to the end user, including coverage of light output, color stability, driver performance and fixture finish.

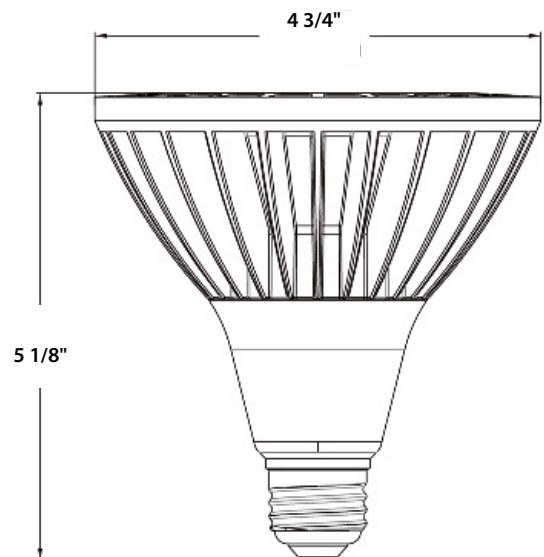
RAB's warranty is subject to all terms and conditions found at [rablighting.com/warranty](http://rablighting.com/warranty).

## DIMENSIONS

PAR30L 19W  
Weight: 0.89 lb



PAR38 26W  
Weight: 1.38 lbs



## ORDERING INFO

Catalog Number	Model Number (DLC)	UPC	Case Pack
PAR30L-19-E26-930-25D-ND	P10026(PAR30L-19-E26-930-25D-ND)	192552000031	6
PAR30L-19-E26-940-25D-ND	P10028(PAR30L-19-E26-940-25D-ND)	192552000055	6
PAR30L-19-E26-930-40D-ND	P10027(PAR30L-19-E26-930-40D-ND)	192552000048	6
PAR30L-19-E26-940-40D-ND	P10029(PAR30L-19-E26-940-40D-ND)	192552000062	6
PAR38-26-930-25D-ND	PAR38-26-930-25D-ND	019813749815	6
PAR38-26-940-25D-ND	P10001	019813834351	6
PAR38-26-930-40D-ND	PAR38-26-930-40D-ND	019813749822	6
PAR38-26-940-40D-ND	P10002	019813834368	6

## ORDERING MATRIX

Family	Wattage	CRI/Color Temp	Beam Angle	Dimming
<b>PAR38</b>	- <b>26</b> -	-	-	- <b>ND</b> -
	26 26W	930 90 CRI, 3000K 940 90 CRI, 4000K	25D 25 Degrees 40D 40 Degrees	ND Non-Dimming

Family	Wattage	Base Type	CRI/Color Temp	Beam Angle	Dimming
<b>PAR30L</b>	- <b>19</b> -	- <b>E26</b> -	-	-	- <b>ND</b> -
	19 19W	E26 E26 Base	930 90 CRI, 3000K 940 90 CRI, 4000K	25D 25 Degrees 40D 40 Degrees	ND Non-Dimming