

XDIM Wired Dimmers



Versatile, in-wall dimmers

PROJECT: _____

DATE: _____

TYPE: _____

PREPARED BY: _____



KEY FEATURES

- Wirelessly control your lights with Lightcloud Blue
- In-wall device for switching and dimming local load (ELV/MLV or 0-10V) and any Lightcloud Blue-enabled device
- Available for phase (forward/reverse, 120V) or 0-10V (120-277V) dimming
- Fade on/off and rapid full-on capability
- Set the max/min trim level for maximum compatibility
- Neutral wire connection is optional



*Does not apply to XDIM

PERFORMANCE

Catalog Number	Product Name	Dimming Control Type	Power Rating	Load Switching Capacity	Input Voltage
XDIM/LCB	Lightcloud Blue Phase Dimmer	Selectable Phase: Forward/Reverse	500W	LED/CFL: 300W INC/HAL/ELV: 500W MLV: 400VA	120V
XDIM/LCBS	Lightcloud Blue Phase Dimmer w/PIR Sensor	Selectable Phase: Forward/Reverse	500W	LED/CFL: 300W INC/HAL/ELV: 500W MLV: 400VA	120V
XDIM/D10/LCB	Lightcloud Blue 0-10V Dimmer	0-10V	1200W	10A @ 120V; 5A @ 277V	120-277V
XDIM	Phase Dimmer	Selectable Phase: Forward/Reverse	500W	LED/CFL: 300W INC/HAL/ELV: 500W MLV: 400VA	120V

TECHNICAL SPECIFICATIONS

LIGHTCLOUD BLUE FEATURES*

Rapid Provisioning

This patented technology allows a user to pair groups of up to 100 devices at a time. Speeding up the commissioning process without any extra costs or fees to do so.

Direct Connect

Use the Lightcloud Blue mobile app to connect to your lights in minutes via Bluetooth Mesh; no Gateway or Hub required.

Mobile App Control

Use the Lightcloud Blue mobile app to configure features for On/Off Control, Dim Level, Color Temperature, Schedules, Scenes, SmartShift and more.

Scalable

Devices within range of each other can communicate within the Bluetooth Mesh network to manage hundreds of thousands of devices per account.

*Does not apply to XDIM

TECHNICAL SPECIFICATIONS (CONT.)

LIGHTCLOUD BLUE*

Gateway Required

No

Communication Protocol

Bluetooth Mesh

Range

Indoor: Up to 60 feet between standard building materials. Building materials such as brick, concrete, and steel construction may require additional Lightcloud Blue devices to extend around an obstruction; Up to 200 feet clear line of sight.

Outdoor: Up to 60 feet clear line of sight; Up to 18 feet around corners

Spacing Criteria

Lightcloud Blue devices should be placed within the specified range to communicate within the Bluetooth Mesh network.

Max # of Devices to Control

Up to 200 devices

Factory Reset

Method 1: Delete from App

Open the app and access the device settings for the paired device. Be sure that the device is online and select 'Delete'.

Method 2: Manual

Press and hold the reset switch until the status indicator blinks red.

Status Indicator Light

Flashing red (*1second on/1second off*): Device is not provisioned

Solid green: Device is provisioned

CONSTRUCTION

Product Type

Dimmer

Shape

Rectangular

Housing Material

Plastic

Finish

Matte White

Key Type

Paddle

Package Includes

- (1) Dimmer
- (1) Face plate bracket
- (1) Back plate
- (2) Mounting screws
- (1) Jumper wire
- (2) 5-pin wiring terminals
- (3) 2-pin wiring terminals
- (5) Connection wires

INSTALLATION

Mounting

Requires a U.S. wallbox with 2-inch depth (*recommended*) and a minimum depth of 1.46 inches. For use in single or multi-gang applications.

Application Type

Single pole or 3-way

Neutral Wire Required

XDIM - Optional

XDIM/LCB[S] - Optional. Power usage can only be reported when neutral wire is connected.

XDIM/D10/LCB - Yes

COMPLIANCE

Listing

UL 1472

Environment

Suitable for indoor use in dry and damp environments.

T20 Compliant

No

California Title 24 JA8 Compliant

No

California Energy Commission (CEC) Status

Lawful for Sale in California

DLC NLC Listed

This product is on the Design Lights Consortium (DLC) Network Lighting Controls (NLC) Qualified Products List and is eligible for rebates from DLC Member Utilities.

DLC system - N1XML0EATBA (*Interior*); NHCZ2BIA17L (*Exterior*)

FCC

Complies with Part 15 of the FCC Rules

RoHS

Mercury and UV free. RoHS-compliant components.

ELECTRICAL

Multi-Gang Derating (*Phase Dimmers Only*)

When combining controls in the same wallbox, derating is required.

LED/CFL

Not Ganged: 300W max load

End of Gang: 250W max load

Middle of Gang: 200W max load

INC/HAL/ELV/MLV

Not Ganged: 500W max load

End of Gang: 400W max load

Middle of Gang: 300W max load

Self-Calibration (*Phase Dimmers Only*)

Via dip switch choose a self-calibration option based on the fixtures being controlled:

F - forward phase

A - auto-detect forward/reverse phase

R - reverse phase

Note: after dip switch adjustment, power device off and then power on again.

*Does not apply to XDIM

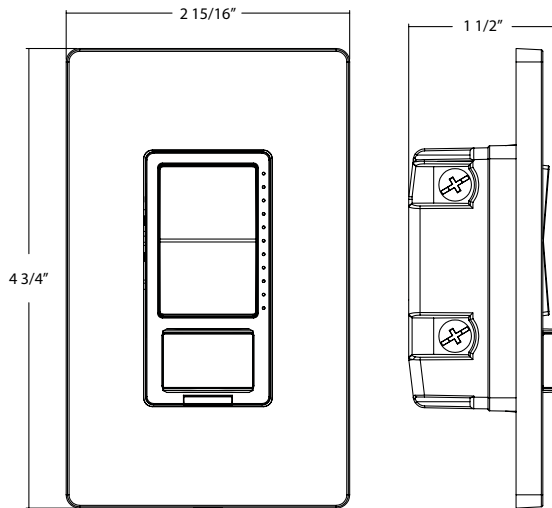
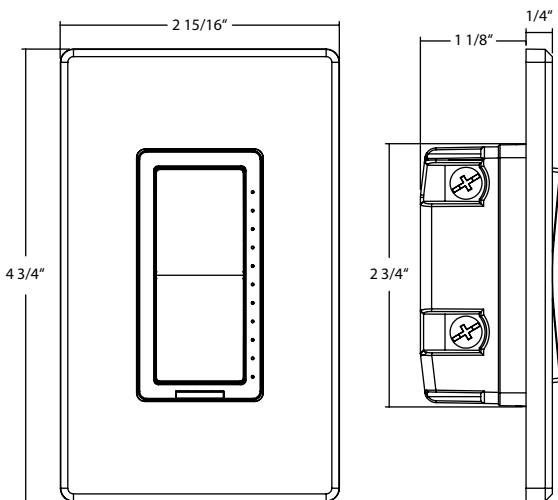
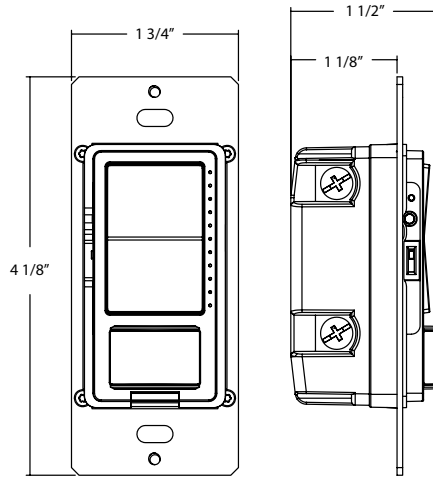
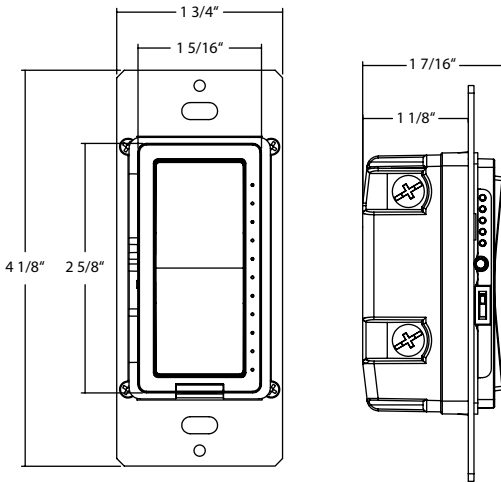
XDIM Wired Dimmers



DIMENSIONS

XDIM XDIM/LCB XDIM/D10/LCB
Weight: 0.40 lb Weight: 0.40 lb Weight: 0.43 lb

XDIM/LCBS
Weight: 0.41 lb



TECHNICAL SPECIFICATIONS (CONT.)

ELECTRICAL

Power Cut Off Switch
Yes

Operating Frequency
60 Hz

Operating Temperature
32 °F to 104 °F (0 °C to 40 °C)

OTHER

Warranty
The RAB 3-year, limited warranty covers light output, driver performance and paint finish. RAB's warranty is subject to all terms and conditions found at rablighting.com/warranty.

Download the Lightcloud Blue app for free to get started!



XDIM Wired Dimmers



ORDERING INFO

Catalog/Model Number	UPC	Case Pack
XDIM/LCB	192552027045	24
XDIM/LCBS	192552044288	24
XDIM/D10/LCB	192552027052	24
XDIM	192552027038	24

ORDERING MATRIX

Family	Voltage/Dimming	Color	Options
XDIM	Blank /D10* 120V, Forward/Reverse Phase 120-277V, 0-10V	Blank Matte White	Blank /LCB /LCBS Standard Lightcloud Blue-Enabled Lightcloud Blue-Enabled w/PIR Sensor

* /D10 model only available with /LCB option