

# INSTRUCTIONS

## VXRGB FIELD-ADJUSTABLE INSTALLATION

# RAB®

RAB Lighting is committed to creating high-quality, affordable, well-designed and energy-efficient LED lighting and controls that make it easy for electricians to install and end users to save energy. We'd love to hear your comments. Please call the Marketing Department at 888-RAB-1000 or email: [marketing@rablighting.com](mailto:marketing@rablighting.com)



### IMPORTANT

#### READ CAREFULLY BEFORE INSTALLING FIXTURE. RETAIN THESE INSTRUCTIONS FOR FUTURE REFERENCE.

RAB fixtures must be wired in accordance with the National Electrical Code and all applicable local codes. Proper grounding is required for safety. THIS PRODUCT MUST BE INSTALLED IN ACCORDANCE WITH THE APPLICABLE INSTALLATION CODE BY A PERSON FAMILIAR WITH THE CONSTRUCTION AND OPERATION OF THE PRODUCT AND THE HAZARDS INVOLVED.

**WARNING: Make certain power is OFF before installing or maintaining fixture. No user serviceable parts inside.**

**CAUTION: For proper weatherproof function all gaskets must be seated properly and all screws inserted and tightened firmly. Apply weatherproof silicone sealant around the edge of the junction box. This is especially important with an uneven surface. Silicone all plugs and unused conduit entries.**

**CAUTION: Risk of Fire.**

**Suitable for Wet Locations. Fixture may be installed in any position.**

**Suitable for operation in ambient not exceeding -45°C.**

### SURFACE MOUNT/CONDUIT INSTALLATION

Fixture can be angled 0-90°, DO NOT loosen the Pivot Screw (Fig. 3).

1. Loosen (4) Junction Box Screws as shown in Fig. 1.
2. Install Junction Box with provided hardware or appropriate hardware for the mounting surface.
3. Thread conduit into any of the Junction Box Knockouts (1/2" NPT), use thread sealer or Teflon® tape for Junction Box weatherproof function (Fig. 2).
4. Locate Field-Adjustable Switches on back of fixture and select Power (W), Red/Green/Blue/5000K color option and/or Photocell function (Fig. 5).
5. Make the necessary wiring connections. Wire the fixture using UL listed wire connectors according to NEC and local codes. See wiring diagram, Fig. 6.
6. Re-attach Fixture to the Junction Box with (4) Screws. Make sure Gasket is properly seated, be careful not to pinch wires (Fig 2).
7. Fixture maybe adjusted by loosening the Fixture Lock Set Screw (Fig. 3) and positioned to the desired angle. Tighten Fixture Set Screw.
8. Seal all holes, plugs, and conduit entries with weatherproof silicone sealant

Fig: 1

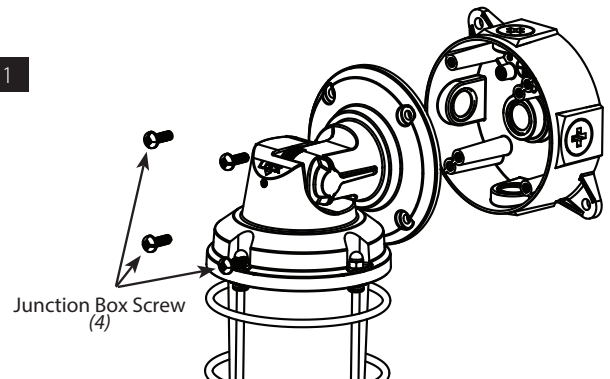
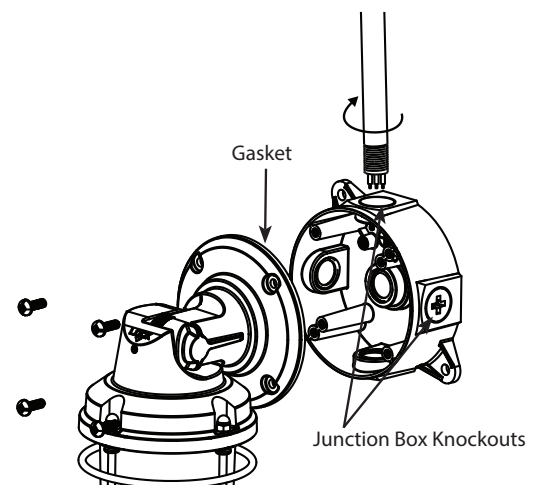


Fig: 2



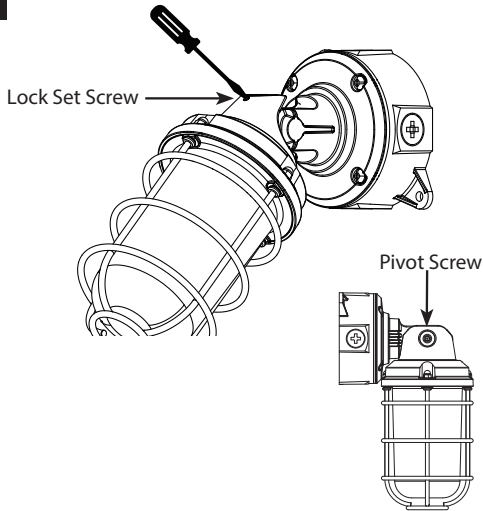
# INSTRUCTIONS

## VXRGB FIELD-ADJUSTABLE INSTALLATION



RAB Lighting is committed to creating high-quality, affordable, well-designed and energy-efficient LED lighting and controls that make it easy for electricians to install and end users to save energy. We'd love to hear your comments. Please call the Marketing Department at 888-RAB-1000 or email: [marketing@rablighting.com](mailto:marketing@rablighting.com)

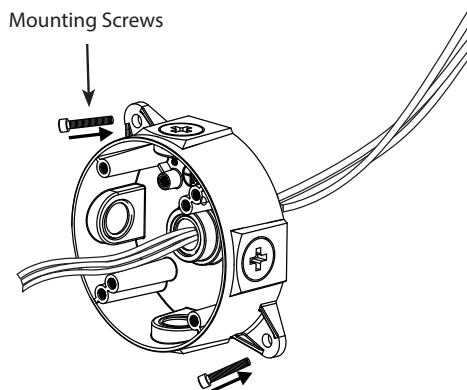
Fig: 3



## SURFACE MOUNT

1. Loosen (4) **Junction Box Screws** as shown in Fig. 1.
2. Thread wires into the back of **Junction Box** as shown in Fig. 4
2. Install **Junction Box** with provided hardware or appropriate hardware for the mounting surface.
3. Locate **Field-Adjustable Switches** on back of fixture and select **Power (W)**, **Red, Green, Blue** or **5000K** color option and/or **Photocell** function (Fig. 5).
3. Make the necessary wiring connections. Wire the fixture using UL listed wire connectors according to NEC and local codes. See wiring diagram, Fig. 6.
4. Secure Fixture to the **Junction Box** with (4) **Screws**. Make sure **Gasket** is properly seated, be careful not to pinch wires (Fig 2).
5. Fixture maybe adjusted by loosening the **Fixture Lock Set Screw** (Fig. 3) and positioned to the desired angle. Tighten **Fixture Set Screw** (Fig. 3).

Fig: 4



## FIELD ADJUSTMENT

**Fixture can be angled 0-90°, DO NOT loosen the Pivot Screw.**

### Photocell Operation:

This product is equipped with a photocell. **Photocell factory setting is set to the "OFF" position.** Should you wish to enable the Photocell "ON" slide the photocell switch to enable the "ON" position (Fig 5). **If the Photocell is set to the "ON" position and it is daylight it may take up to 60-seconds for the light to turn off.**

### Color options:

This product is equipped **Red, Green, Blue** or **5000K** Color option selection.

### Power (Wattage) Selection:

This product is equipped with power output selection.  
**26/18/12W**

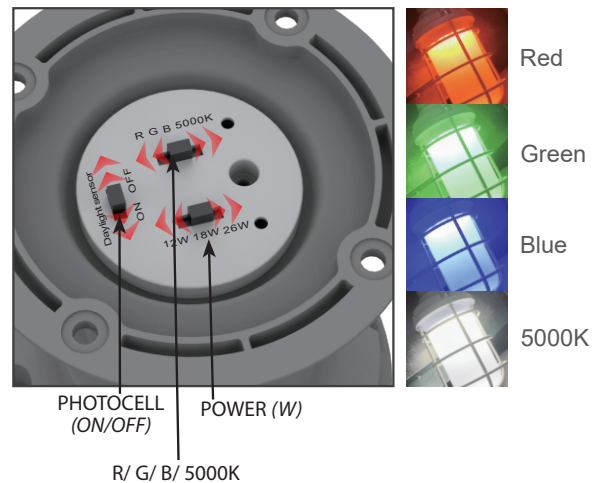
Follow instructions below to change **Power (W)**, **Red, Green, Blue** or **5000K** Color option, and/or **Photocell On/Off** operation from factory settings.

### Factory Settings:

- 18W
- 5000K
- **Photocell/OFF**

1. Locate the **Selector Switches** on back of fixture as shown in Fig. 5 and make selections.

Fig: 5



# INSTRUCTIONS

## VXRGB FIELD-ADJUSTABLE INSTALLATION



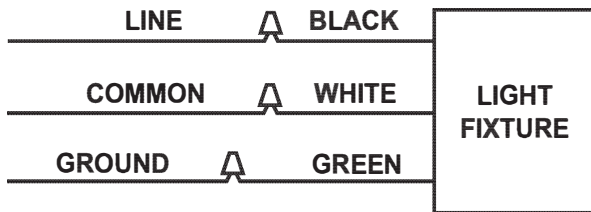
RAB Lighting is committed to creating high-quality, affordable, well-designed and energy-efficient LED lighting and controls that make it easy for electricians to install and end users to save energy. We'd love to hear your comments. Please call the Marketing Department at 888-RAB-1000 or email: [marketing@rablighting.com](mailto:marketing@rablighting.com)

### WIRING

Universal voltage driver permits operation at 120V through 277V 50 or 60 Hz. See wiring diagram, Fig. 6.

1. Connect the black fixture lead to the **LINE** supply lead.
2. Connect the white fixture lead to the **COMMON** supply lead.
3. Connect the GROUND wire from fixture to supply ground.

Fig. 6



### CLEANING & MAINTENANCE

**CAUTION:** Be sure fixture temperature is cool enough to touch. Do not clean or maintain while fixture is energized.

1. Lens should be washed in a solution of warm water and any mild, non-abrasive household detergent, rinsed with clean water and wiped dry.  
**WARNING:** Polycarbonate is affected by cleaning agents or other liquids containing partial solvents such as low molecular weight aldehydes and ethers, ketones, esters, aromatic hydrocarbons and perchlorinated hydrocarbons. In addition, chemical attack ranging from partial to complete destruction of polycarbonate occurs in contact with alkalines, alkali salts, amines and high zone concentrations. Please go to [rablighting.com](http://rablighting.com) for a detailed list of damaging chemicals.
2. Do not open fixture to clean the LED. Do not touch the LED.

### TROUBLESHOOTING

1. Check that the line voltage at fixture is correct.
2. Is there voltage at the lamp fixture wires? If there is no voltage, check all connections.
3. Is the fixture grounded properly?

**Note:** These instructions do not cover all details or variations in equipment nor do they provide for every possible situation during installation, operation or maintenance.



© 2025 RAB LIGHTING Inc.

#### Easy Answers

[rablighting.com](http://rablighting.com)  
Visit our website for product info

**Tech Help Line**  
Call our experts: 888 722-1000

**e-mail**  
Answered promptly - [tech@rablighting.com](mailto:tech@rablighting.com)

**Free Lighting Layouts**  
Answered online or by request

VXRGB-IN - 0125  
P-101565

**RAB WARRANTY:** RAB's warranty is subject to all terms and conditions found at [rablighting.com/warranty](http://rablighting.com/warranty).