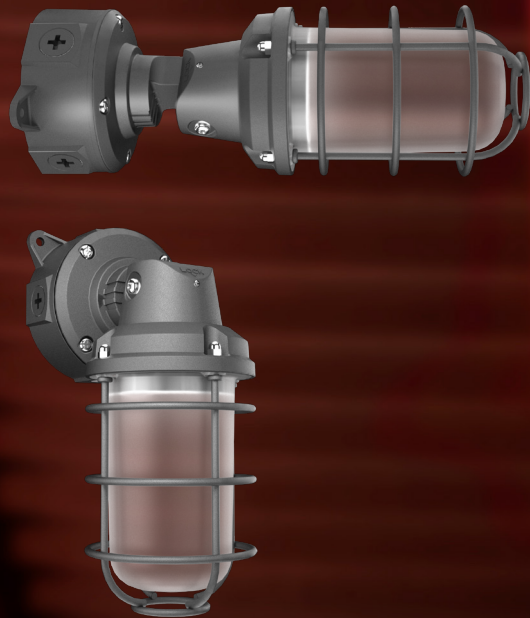


# RAB®

## VXRGB



Classic design and unbeatable performance.  
VXRGB—where durability and utility meet.

### Command the colors.

The VXRGB lets you switch between vibrant red, green, blue, or crisp 5000K white light to meet safety requirements, signal location or warning, or simply color your world. It's ideal for security lighting, architectural accents, or specialized industrial applications.





VXRGB  
FEATURE PAGE



100,000-HOUR  
LED LIFESPAN



120-277V



WET RATED



IP RATING

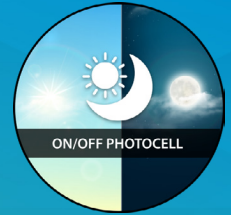
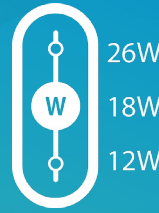


5-YEAR LIMITED  
WARRANTY

RAB's warranty is  
subject to all terms  
and conditions found at  
[rablighting.com/warranty](http://rablighting.com/warranty)

## Additional adjustability.

In addition to choosing your output color, the VXRGB offers selectable wattage and an on/off photocell that lets you fine-tune your energy usage while maintaining optimal light output.



## Industrial-grade construction.

A die-cast aluminum housing with a thermal shock-resistant polycarbonate lens ensures durability in challenging environments. Its IP65 rating makes it a reliable source of illumination in manufacturing spaces, outdoor areas, or anywhere you need reliable, color-capable lighting.

## Flexible installation.

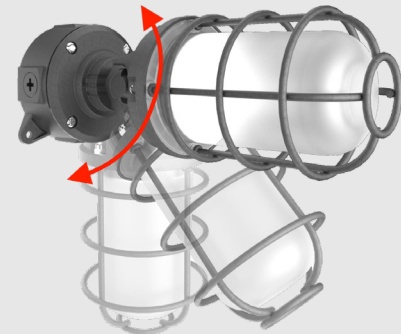
Three conduit entry points and multiple mounting options make installation simple in any location. The adaptable design includes 90° adjustability (with a locking mechanism), which makes it versatile enough for either ceiling or wall mounting.



90°



180°



## Ordering Matrix

Product Family	Wattage	CCT	Finish	Optics	Driver
VXRGB	26				
	26	26/18/12W	Blank	Red/Green/Blue/ 5000K Adjustable	Blank
			Natural Shot Blasted Aluminum	Blank	Downlight Only
				Blank	120-277V, On/Off Photocell