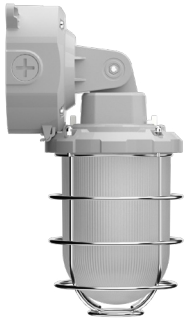


VX, Field-Adjustable Vaporproof Light



VX20 @ 90°



VX20 @ 180°

PROJECT: _____

DATE: _____

TYPE: _____

PREPARED BY: _____



KEY FEATURES

- Available in one size and adjustable wattages
VX20: 20/16/12W (Default **20W**)
- Field-adjustable CCT: 3000K/4000K/5000K (Default **5000K**)
- Built-in On/Off photocell
- On/Off up light
- 120-277V
- Corrosion resistant polycarbonate housing and lens
- 0-180° adjustable
- Integrated grill
- UL listed for wet locations
- 5-year, limited warranty

Field-adjustable vaporproof light with uplight and Downlight application

IP65
IP RATING

000
FIELD
ADJUSTABLE

**VANDAL
RESISTANT**

**100,000
HRS**

**WET
RATED**

PERFORMANCE

VX20 (DOWNLIGHT)

VX20	3000K	4000K	5000K	3000K	4000K	5000K	3000K	4000K	5000K
WATTAGE	20W			16W			12W		
INPUT WATTS	19.8W	19.4W	19.8W	16.7W	16.4W	16.7W	12.4W	12.2W	12.3W
LUMENS	2,230	2,396	2,421	1,914	2,039	2,077	1,453	1,532	1,571
EFFICACY	112.6	123.5	122.3	114.6	124.3	124.4	117.2	125.6	127.7
CRI	83	86	85	83	86	85	83	86	85
VOLTAGE RATINGS	120-277V			120-277V			120-277V		

VX20 (UP + DOWNLIGHT)

VX20	3000K	4000K	5000K	3000K	4000K	5000K	3000K	4000K	5000K
WATTAGE	20W			16W			12W		
INPUT WATTS	19.8W	19.4W	19.8W	16.7W	16.4W	16.6W	12.3W	12.1W	12.3W
LUMENS	2,195	2,340	2,355	1872	1,985	2,010	1,405	1,484	1,518
EFFICACY	110.9	120.6	119.5	112.1	121.0	121.1	114.2	122.6	123.4
CRI	83	86	85	83	86	85	84	86	85
VOLTAGE RATINGS	120-277V			120-277V			120-277V		

TECHNICAL SPECIFICATIONS

CONSTRUCTION

Cold Weather starting

Minimum starting temperature is -40°C (-40°F)

Maximum Ambient Temperature

Suitable for use in up to 45°C (113°F)

Housing

Polycarbonate

Mounting

Retrofit mounting plates for ceiling mounting

Tilt Increment

10°

Lens

Polycarbonate

Reflector

Polycarbonate

Gasket

Silicone

IP Rating

Ingress protection rating of IP65 for dust and water

Green Technology

Mercury and UV free. RoHs-compliant components.

Finish

Formulated for high durability and long lasting color

COMPLIANCE

UL Listed

UL listed for wet locations

LED CHARACTERISTICS

LEDS

Long-life, high-efficacy, discrete LEDs

FIELD ADJUSTABLE

Color temperature: Selectable by 3000/4000/5000K (Default 5000K)

Selectable wattages: 20/16/12W (Default 20W)

Photocell (ON/OFF): Default OFF, Ambient Light ON

ELECTRICAL

Drivers:

Constant Current, Class 1, 120-277V, 50/60 Hz

VX20

20W: 120V: 0.17A, 208V: 0.10A, 240V: 0.09A, 277V: 0.08A

16W: 120V: 0.14A, 208V: 0.08A, 240V: 0.07A, 277V: 0.06A

12W: 120V: 0.10A, 208V: 0.06A, 240V: 0.06, 277V: 0.05A

Photocell:

Integrated ON/OFF photocell

Surge Protection:

2kV

THD (4000K):

20W(Downlight): 11.37% @120V, 9.73% @ 277V

20W(Up+Downlight): 11.38% @120V, 9.69% @ 277V

Power Factor (4000K):

20W(Downlight): 98.7% @120V, 92.9% @ 277V

20W(Up+Downlight): 98.7% @120V, 92.9% @ 277V

Note

All values are typical (tolerance +/- 10%)

OTHER

Warranty

The RAB 5-year, limited warranty covers light output, driver performance and paint finish. RAB's warranty is subject to all terms and conditions found at rablighting.com/warranty.

Lifespan

100,000-hour LED lifespan based on IES LM-80 results and TM-21 calculations

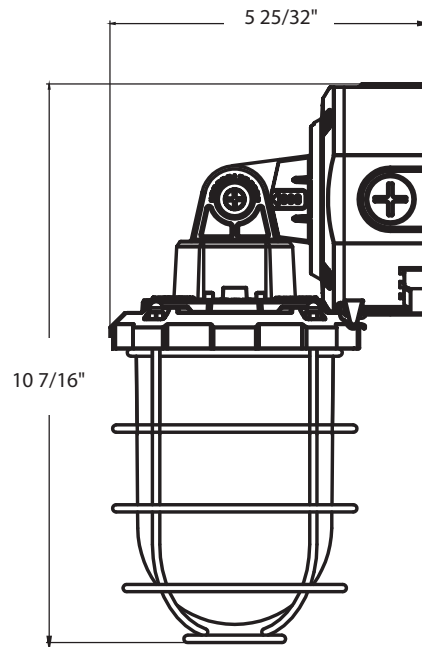
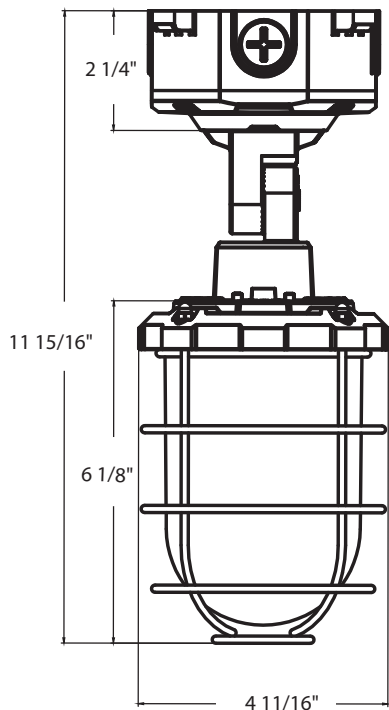
VX, Field-Adjustable Vaporproof Light



DIMENSIONS

VX20

Weighs: 1.8 lbs



ORDERING MATRIX

VX

Family	Wattage/Size		Color Temperature		Finish	Optics		Driver	
VX	20								
	20	20/16/12W	BLANK	3000/4000/5000K CCT Adjustable	BLANK Gray	BLANK	Downlight/Up +Downlight	BLANK	120-277V, On/Off Photocell