

FLEXTAPE Wet Location Tape



PROJECT: _____

DATE: _____

TYPE: _____

PREPARED BY: _____



KEY FEATURES

- **Flexible, wet location LED tape** provides energy-efficient lighting for both indoor and outdoor applications
- **Field-cuttable** for quick, in-field customization (*connectors sold separately*)
- **Easy installation** to most surfaces by using pre-attached 3M® double-sided tape
- Available in static white, tunable white, or RGBW using 16+ million colors
- Indoor and outdoor rated drivers available (*sold separately*)
- Simple wireless control via Bluetooth mesh with Lightcloud Blue Controller (*sold separately*)
- **50,000-hr rated life**, Title 24 Compliant, and 5-year limited warranty

24V DC, Outdoor-Rated Tape Light



* Select models

PERFORMANCE

Catalog Number	Input Voltage	Color Temperature	Reel Length	Max Output Wattage	Max Lumens	Efficacy	IP Rating	CRI	Cutting Increment	Max Run
TOSYY	DC24V	2700K	32.8 ft	2.5 W/ft	250 lm/ft	100 lm/W	IP67	90	2 3/16 in	32 ft
TOSY	DC24V	3000K	32.8 ft	2.5 W/ft	262 lm/ft	105 lm/W	IP67	90	2 3/16 in	32 ft
TOSN	DC24V	4000K	32.8 ft	2.5 W/ft	275 lm/ft	110 lm/W	IP67	90	2 3/16 in	32 ft
TOS/LCB	DC24V	Tunable 2700-6500K*	32.8 ft	2.5 W/ft	215-240 lm/ft	86-96 lm/W	IP67	90	2 in	32 ft
TOS/RGB	DC24V	Tunable White 2200-3000K* or 16+ million colors*	16.4 ft	6.1 W/ft	28-280 lm/ft	18-70 lm/W	IP67	90	3 15/16 in	32 ft

* Requires Lightcloud Blue Controller, sold separately

FLEXTAPE Wet Location Tape



ACCESSORIES

Accessories for Static CCT Tape

TOSYY, TOSY, TOSYN, TOSN, TOSCW, TOSLYY, TOSLY, TOSLYN, TOSLN, TOSLCW, TOSHYY, TOSHY, TOSHYN, TOSH, TOSHCW



Catalog Number	Description	Packaging includes
TPF2	Tape Light End Cap Kit	8mm, 2-Pin hard wiring, 11 7/8"



Catalog Number	Description	Packaging includes
TOJ2	Tape Light 2-Pin Connector Kit	1 PCB-PCB connector 1 PCB-Wire connector + 1 end cap 1 PCB-Wire-PCB connector



Catalog Number	Description	Packaging includes
TSC2	Tape Light Silicone Clips Kit 8mm	20 Clips and screws included in packaging

Accessories for TOS/LCB



Catalog Number	Description	Packaging includes
TPF3	Tape Light End Cap Kit	10mm, 3-Pin hard wiring



Catalog Number	Description	Packaging includes
TOJ3	Tape Light 3-Pin Connector Kit	1 PCB-PCB connector 1 PCB-Wire connector + 1 end cap 1 PCB-Wire-PCB connector



Catalog Number	Description	Packaging includes
TSC3	Tape Light Silicone Clips Kit 10mm	20 Clips and screws included in packaging




Catalog Number	Description	Packaging includes
TPFE3	Tape Light Wire Extender	3-Pin connected w/8' wire

Accessories for TOS/RGB



Catalog Number	Description	Packaging includes
TPF5	Tape Light End Cap Kit	12mm, 5-Pin hard wiring



Catalog Number	Description	Packaging includes
TOJ5	Tape Light 5-Pin Connector Kit	1 PCB-PCB connector 1 PCB-Wire connector + 1 end cap 1 PCB-Wire-PCB connector



Catalog Number	Description	Packaging includes
TSC5	Tape Light Silicone Clips Kit 12mm	20 Clips and screws included in packaging



Catalog Number	Description	Packaging includes
TPFE5	Tape Light Wire Extender	5-Pin connected w/8' wire



Catalog Number	Description	Packaging includes
TPF55	Tape Light Wire Splitter	5-Pin + 2-pin connectors



Catalog Number	Description	Packaging includes
TAP15*	Tape Light Profile	1 Profile

* Only compatible with the static CCT versions

FLEXTAPE Wet Location Tape



ACCESSORIES (cont'd)

Compatible with all FLEXTAPE models

Compatible with all FLEXTAPE models




Catalog Number	Description	Packaging includes
TAP12*	Anodized Aluminum Channel with Silver Finish	12mm width

*Compatible with all FlexTape models



Catalog Number	Description	Packaging includes
TSG	10mL Silicone Glue for Tape Light	1 tube


DRIVERS



Catalog Number	Description	Max Watt	Input Voltage	Input Current	Output Voltage	Rated Current	Environment Rating	Dimmable	Dim Level
TID-60	60W Linear Driver	60W	100-277V AC	TID-60 0.8A@100V	24V DC	2.5A	Damp IP20	Yes, MLV/ELV/TRIAC*	5%
TID-96	96W Linear Driver	96W	100-277V AC	TID-96 1.2A@100V	24V DC	4A	Damp IP20	Yes, MLV/ELV/TRIAC*	5%
TOD-96	96W Outdoor constant voltage hardwire driver IP65	96W	100-277V AC	TOD-96 1.2A@100V	24V DC	4A	Wet IP67	Phase (ELV/MLV/TRIAC) / 0-10V / 1-10V / 10V PWM / Potentiometer	5%
TND-96	96W Linear Driver for /LCB or /RGB Tape Light	96W	100-277V AC	TND-96 1.2A@100V	24V DC	4A	Wet IP67	No. When paired with LCB Controller, tape can be dimmed wirelessly.	5%

* See dimmer compatibility list in this document.

LIGHTCLOUD BLUE CONTROLLERS



Catalog Number	Description	Compatible Driver	Compatible Tape	Features
LCBLV/TW	LCB 24V Controller for Tape - Tunable White	TND-96	TIC/LCB, TOS/LCB, TNF/LCB	<ul style="list-style-type: none"> • Wireless control with Lightcloud Blue • Configure scenes or dynamic color changing light shows (RGB only) • Indoor range: 60ft obstructions, 200ft clear line of sight • Outdoor range: 120ft obstructions, 200ft clear line of sight
LCBLVD/RGB	LCB 24V Controller for Tape - RGBW	TND-96	TOS/RGB, TNF/RGB	

TECHNICAL SPECIFICATIONS

LIGHTCLOUD BLUE FEATURES

Color Tuning*

Choose from 16+ million colors to customize your space to fit every mood.

**/RGB models only*

Light Shows*

Dynamic color changing animation sequences, easily configure colors, brightness and speed.

**/RGB models only*

Tunable White*

Adjust the color temperature via the Lightcloud Blue mobile app and devices.

**/LCB and /RGB models only*

Direct Connect

Use the Lightcloud Blue mobile app to connect to your device(s) in minutes via Bluetooth Mesh; no Gateway or Hub required.

Mobile App Control

Use the Lightcloud Blue mobile app to configure features for On/Off Control, Dim Level, Color Temperature, Schedules, Scenes, SmartShift and more.

SmartShift*

Easily configure automated lighting profiles to automatically adjust brightness and color temperature for circadian and aesthetic needs.

**/LCB and /RGB models only*

Scalable

Devices within 60 feet of each other can communicate within the Bluetooth Mesh network to manage a maximum of up to tens of thousands of devices per account.

Required Controller

Requires Low Voltage 24V Controller (LCBLV[D]/[TW][RGB]), sold separately. Max run length for a single controller is 45 ft.

CONSTRUCTION

Product Type

Wet Location SMD Tape Static White

Width

$\frac{3}{8}$ "

Length

32'-9 $\frac{5}{8}$ " or 16'-4 $\frac{7}{8}$ " (*/LCB only*)

Light Source

SMD LED White

Material Construction

Weather-resistant, high-grade silicone cover with super-flexible bending

Light Effect

High Output LED

Packaging

Recyclable cardboard reel packaged in anti-static paper bag

INSTALLATION

Field Cuttable Increment

TOSYY, TOSY, TOSN: 2 $\frac{3}{16}$ "

TOS/LCB: 2"

TOS/RGB: 3 $\frac{15}{16}$ "

Max Run Length

32'

Mounting

Easy installation to most surfaces by using pre-attached 3M® double-sided tape

ELECTRICAL

Dimmable

PWM dimming signal, dimmable down to .1% with LED driver (*sold separately*).

Lightcloud Blue models are only dimmable via the mobile app or devices and should not be connected to standard dimmers.

Input Voltage

24V DC

Input Current

19 mA per Chip at 120V

Operating Temperature

-4° to 113°F (-20° to 45°C)

Storage Temperature

-4° to 140°F (-20° to 60°C)

LED CHARACTERISTICS

Chip Density

38 LED/ft

Beam Angle

120°

Color Temperature

Static white (2700K, 3000K, 4000K)

Tunable White* (2700K-6500K; default 4000K)

Color Tunable* (2200K-3000K or 16+ million colors)

**Requires Lightcloud Blue Controller, sold separately*

Color Accuracy (CRI)

90

R9 Value

High color performance with R9 greater than 50

Color Consistency

3 step in 1 bin

COMPLIANCE

Listing

UL2108

Environment

Suitable for use indoors and outdoors in dry, damp, or wet environments.

IP Rating

IP67

California Title 24 JA8 Compliant

Can be used to conform with the requirements of California Title 24 Part 6.

California Energy Commission (CEC) Status

Lawful for Sales in California

NEC Compliant

Suitable for use in closets when used in an enclosed extrusion based on NFPA 70, NEC section 410.16 (A)(1) and 410.16 (C)(1)

IESNA LM-79 & LM80 Testing

RAB LED luminaires and LED components have been tested by an independent laboratory in accordance with IESNA LM-79 and LM-80.

RoHS

Mercury and UV free. RoHS-compliant components.

FCC

Complies with Part 15 of the FCC Rules

WARRANTY

The RAB 5-year, limited warranty covers light output, driver performance and paint finish. RAB's warranty is subject to all terms and conditions found at rablighting.com/warranty.

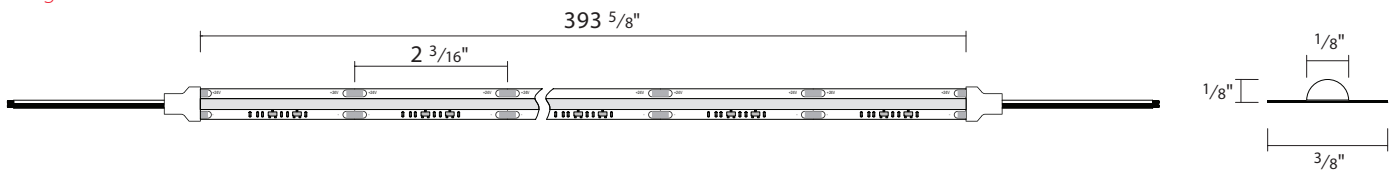
FLEXTAPE Wet Location Tape



DIMENSIONS

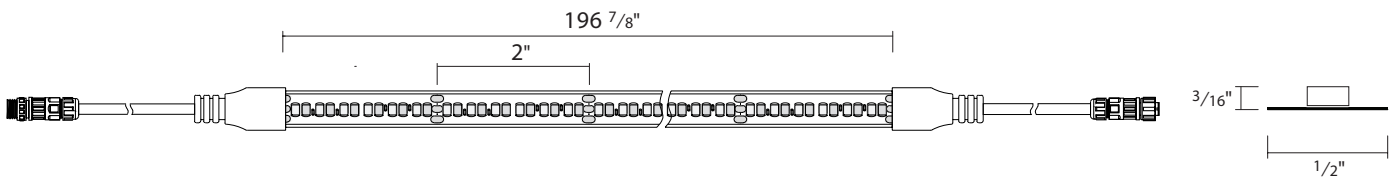
TOSYY, TOSY, TOSN

Weight .92 lbs



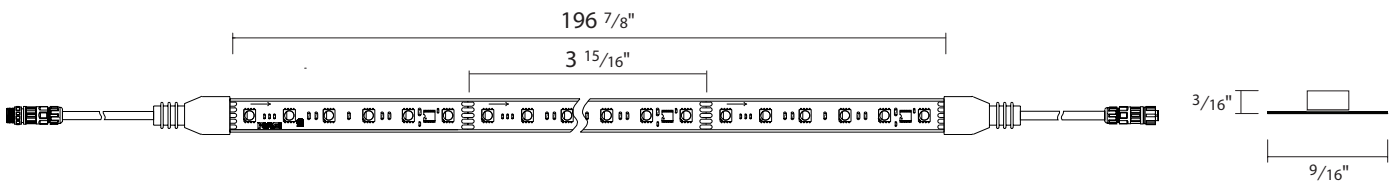
TOS/LCB

Weight .92 lbs



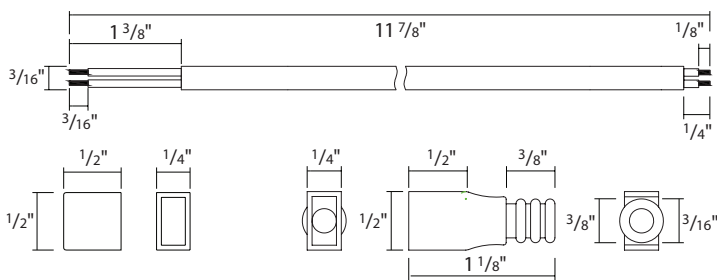
TOS/RGB

Weight .95 lbs

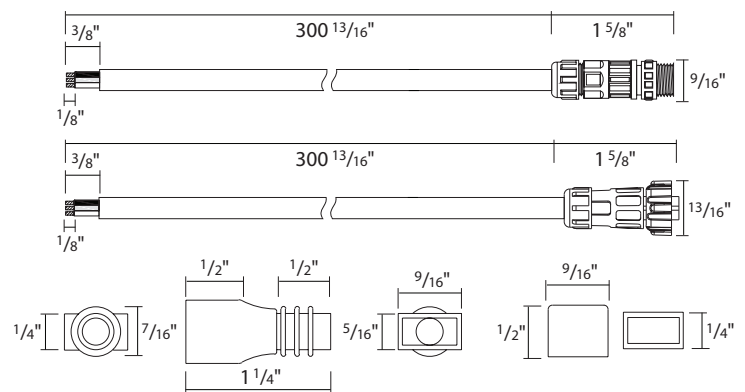


DIMENSIONS - ACCESSORIES

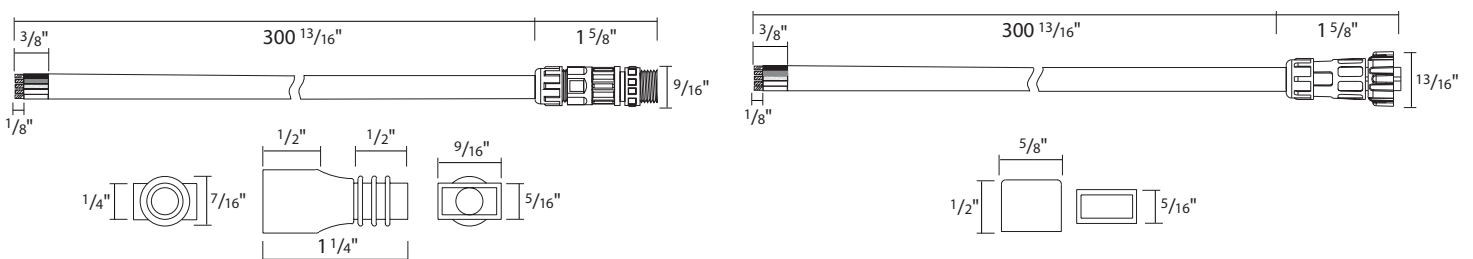
TPF2



TPF3



TPF5

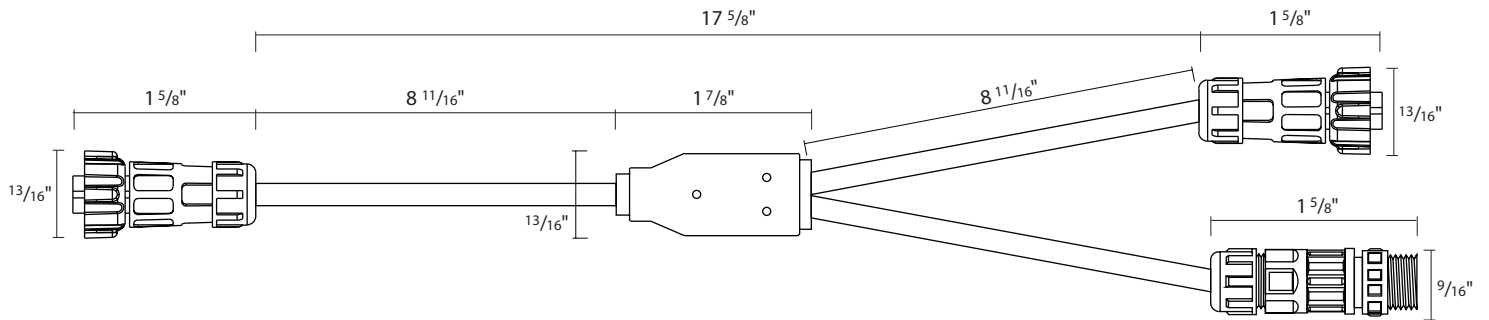


FLEXTAPE Wet Location Tape

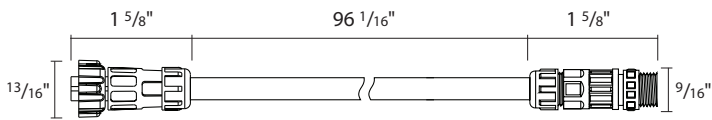


DIMENSIONS - ACCESSORIES (cont'd)

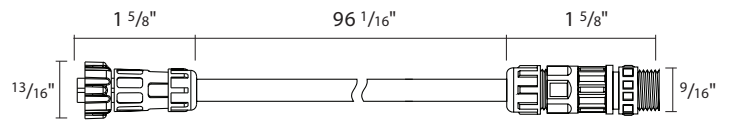
TPFSS



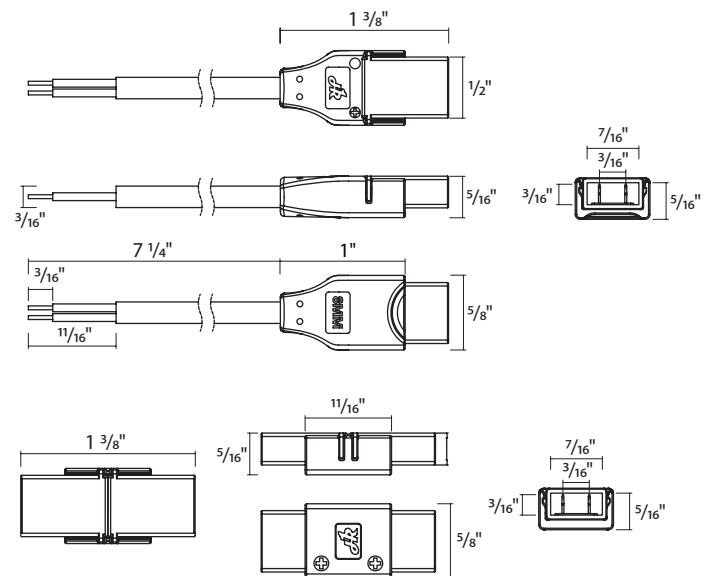
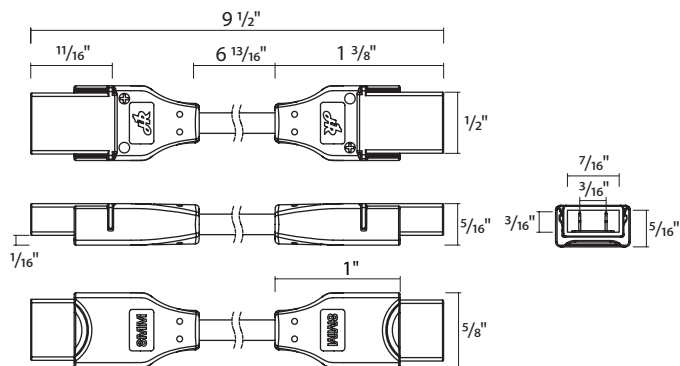
TPFE3



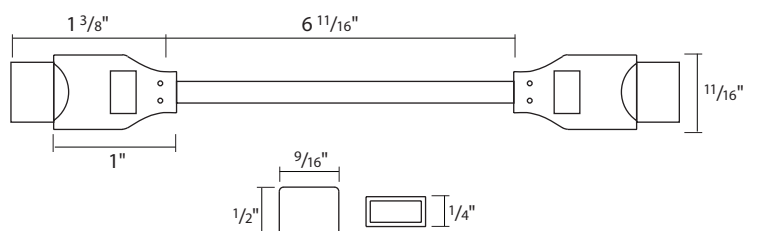
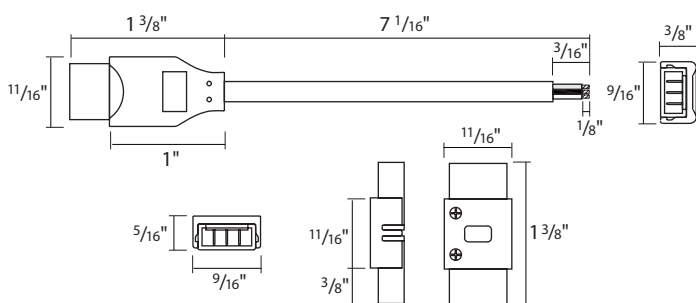
TPFE5



TOJ2



TOJ3

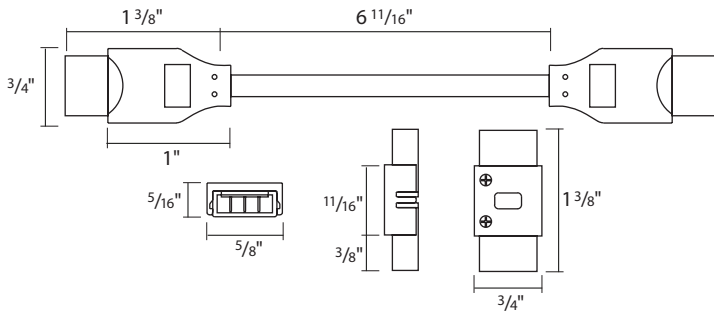


FLEXTAPE Wet Location Tape

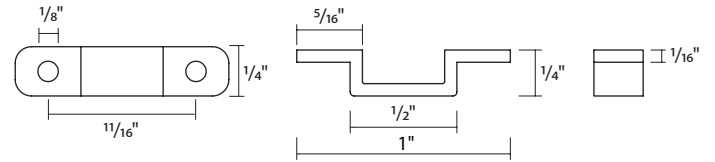


DIMENSIONS - ACCESSORIES (cont'd)

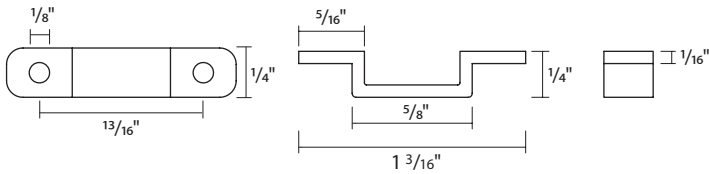
TOJ5



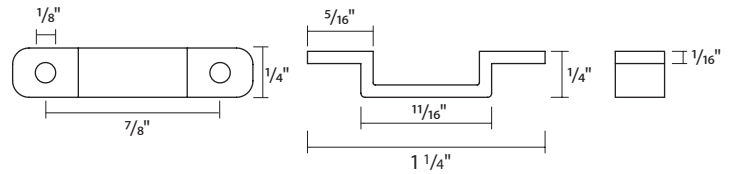
TSC2



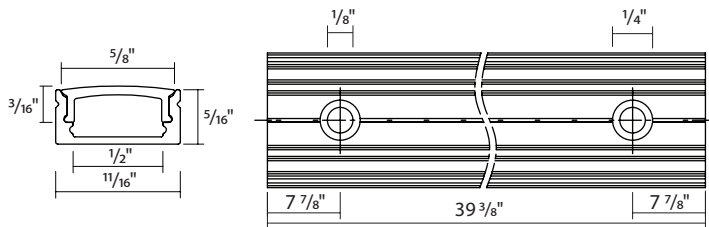
TSC3



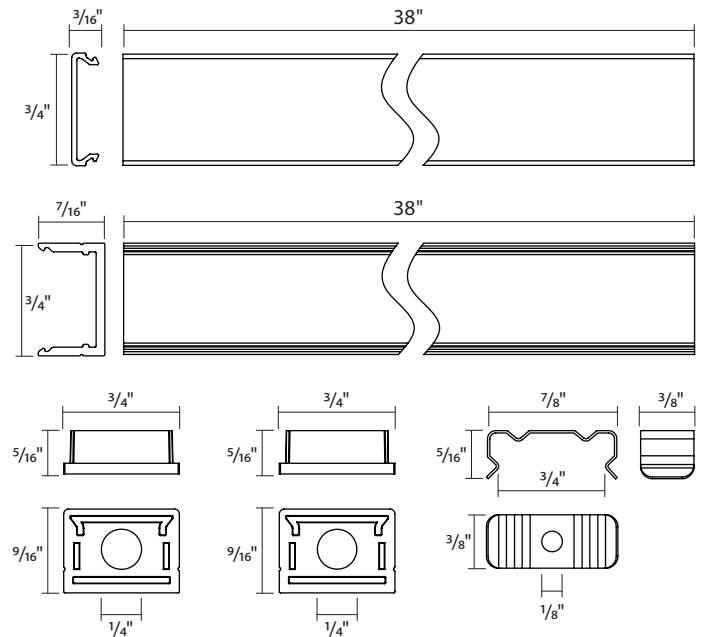
TSC5



TAP12



TAP15

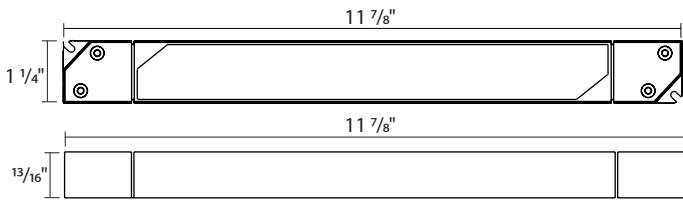


FLEXTAPE Wet Location Tape

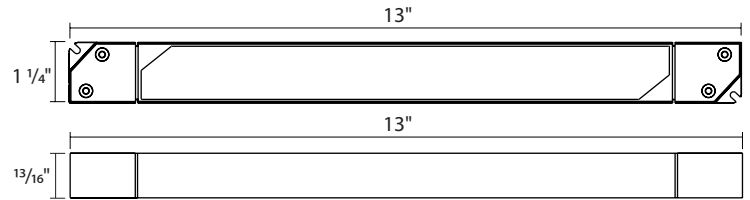


DIMENSIONS - DRIVERS

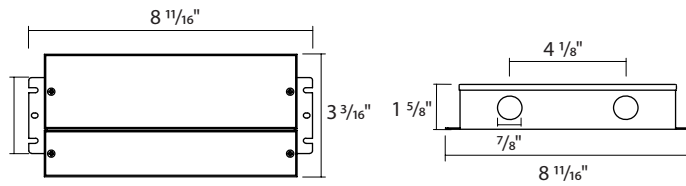
TID-60



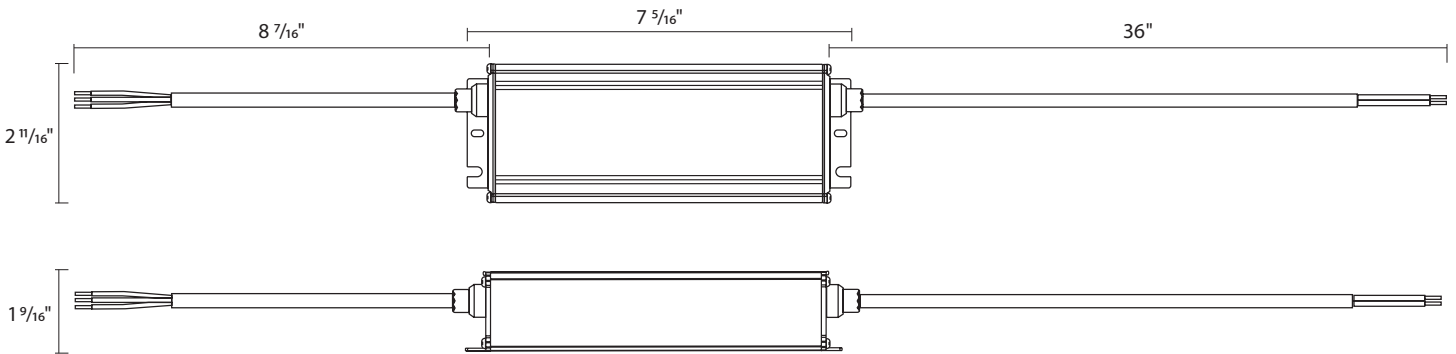
TID-96



TOD-96

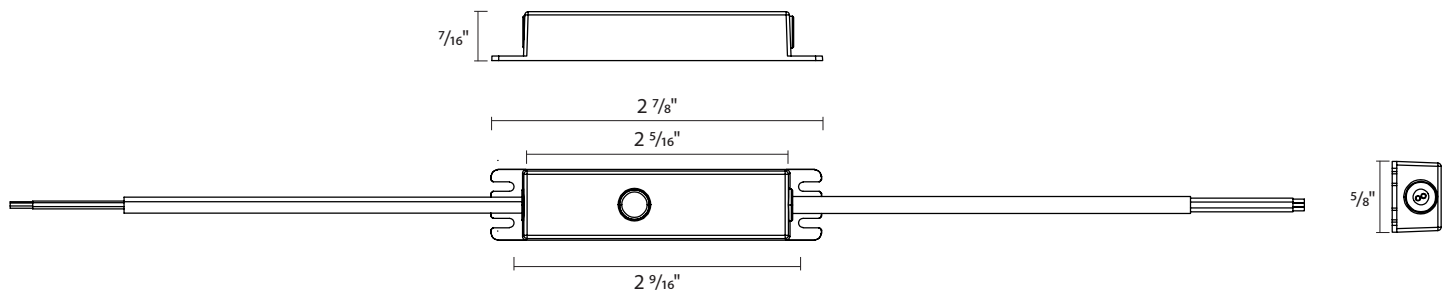


TND-96



DIMENSIONS - LIGHTCLOUD BLUE LOW VOLTAGE (24V) CONTROLLER

LCBLV/TW & LCBLVD/RGB



ORDERING INFO

Catalog Number	UPC	Case Pack
TOSYY	192552046657	15
TOSY	192552046664	15
TOSN	192552046671	15
TOS/LCB	192552054683	15
TOS/RGB	192552054690	15

DIMMER COMPATIBILITY LIST

The following dimmers are compatible with non-Lightcloud Blue versions of this product.

Dimmer Brand	Part Number	Dimmer Brand	Part Number
LUTRON	TGCL-153P	LUTRON	DVLV-600P
	MSCL-OP153M		DVCL-153P
	STCL-153M		CTCL-153P
	MACL-153M		DV-600P
	SCL-153P		CTCL-150
	DVRF-6L	LEVITON	IPLO6
	RCL-153PNL		DSLO6
		RAB	XDIM/LCB[S]

Lightcloud Blue models are compatible with the following devices to control on/off and dimming.

Part Number	Description
ZDIM/LCB[S]	Wireless switch/dimmer 120-277V
LCBLUEREMOTE/W	Wireless battery powered remote

Visit rablighting.com for periodic updates to this list or contact us at 888-722-1000 for questions or comments.

ORDERING MATRIX

Family	CRI/Color Temperature	Input Voltage	Options
TOS			
Blank	90 CRI, Tunable White 2700-6500K	Blank	None
YY	90 CRI, 2700K	24V DC	Blank
Y	90 CRI, 3000K		/LCB*
N	90 CRI, 4000K		/RGB**
			16+ Million Colors w/ Lightcloud Blue

* /LCB is tunable white 2700-6500K using Lightcloud Blue

** /RGB is tunable white 2200-3000K and 16+ million colors using Lightcloud Blue