

INSTRUCTIONS

FIELD-ADJUSTABLE SR™ INSTALLATION

RAB®

RAB Lighting is committed to creating high-quality, affordable, well-designed and energy-efficient LED lighting and controls that make it easy for electricians to install and end users to save energy. We'd love to hear your comments. Please call the Marketing Department at 888-RAB-1000 or email: marketing@rablighting.com



IMPORTANT

READ CAREFULLY BEFORE INSTALLING FIXTURE. RETAIN THESE INSTRUCTIONS FOR FUTURE REFERENCE.

RAB fixtures must be wired in accordance with the National Electrical Code and all applicable local codes. Proper grounding is required for safety. THIS PRODUCT MUST BE INSTALLED IN ACCORDANCE WITH THE APPLICABLE INSTALLATION CODE BY A PERSON FAMILIAR WITH THE CONSTRUCTION AND OPERATION OF THE PRODUCT AND THE HAZARDS INVOLVED.

WARNING: Disconnect or turn OFF power at the electrical panel before installing or maintaining fixture. No User serviceable parts inside fixture.

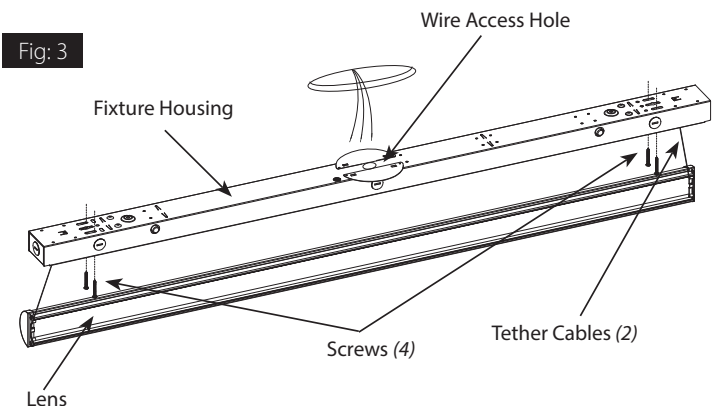
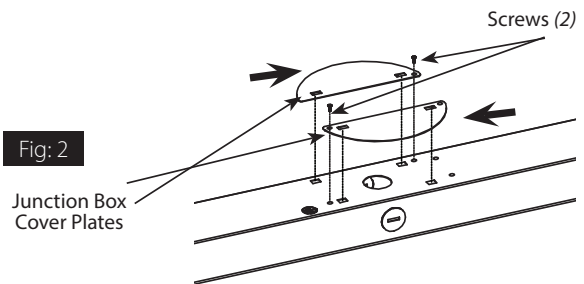
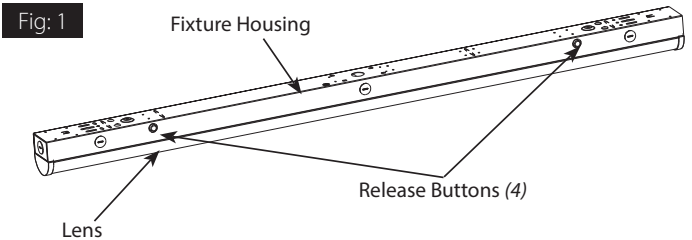
Suitable for damp locations. Suitable for operation in ambient not exceeding 50°C.

SURFACE MOUNTING

The fixture is suitable for indoor ceiling mounting, as follows:

1. Press and hold the **Release Buttons (4)** on both sides of the **Fixture Housing** to release the **Lens (Fig. 1)**. When pressing the **Release Buttons** use one hand to hold the **Lens** and press the **Release Buttons** on both sides of the **Fixture** with the other hand. **CAUTION: The Lens may drop out quickly. Lens is supported with (2) Tether Cables (Fig. 3).**
2. Attach both **Junction Box Cover Plates** to the **Fixture Housing** by sliding in the direction of arrows as shown in Fig. 2. Secure with (2) **Screws (provided)**.
3. Feed supply wires through **Wire Access Hole**. Secure **Fixture Housing** to the junction box or building structure per NEC Code (Fig. 3).
4. Make electrical connections as shown in wiring diagram (Fig. 14). Use approved wiring connectors and wire to local NEC codes. Push all wires back into **Fixture Housing**. Be careful not to pinch wires.
5. Snap **Lens** back into **Fixture Housing** and remove protective plastic from **Lens**.

WARNING: To prevent wiring damage or abrasion, do not expose wiring to sharp objects.



INSTRUCTIONS

FIELD-ADJUSTABLE SR™ INSTALLATION

RAB®

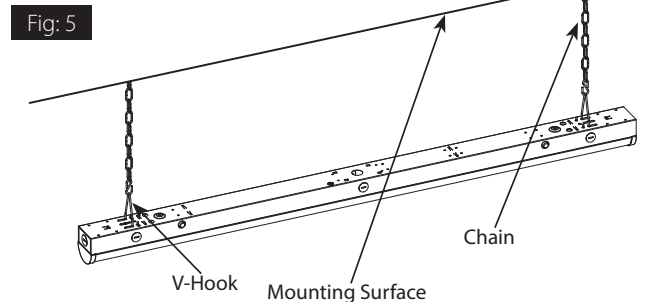
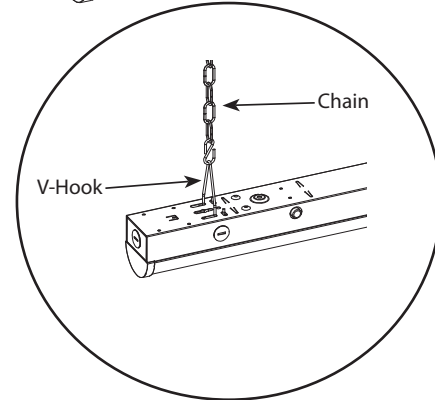
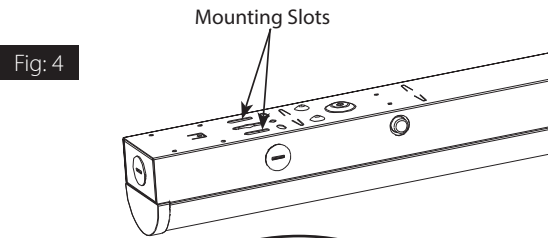
RAB Lighting is committed to creating high-quality, affordable, well-designed and energy-efficient LED lighting and controls that make it easy for electricians to install and end users to save energy. We'd love to hear your comments. Please call the Marketing Department at 888-RAB-1000 or email: marketing@rablighting.com

V-HOOK / CHAIN MOUNTING

The fixture can be mounted using **V-Hooks** and **Chain** (ordered separately, CAT# SRVHOOKKIT).

1. Loop the **V-Hooks** into the **Mounting Slots** to each end of the **Fixture Housing** as shown in Fig. 4.
2. Connect the **Chains** to the mounting surface and hang the **Fixture** from **V-Hooks** as shown in Fig. 5.
3. Fixture mounting height and spacing should be determined by application requirements. **V-Hook** and **Chain** is suitable to support four (4) times the weight of the Fixture.
4. Press and hold the **Release Buttons** (4) on both sides of the **Fixture Housing** to release the **Lens** (Fig. 1). When pressing the **Release Buttons** use one hand to hold the **Lens** and press the **Release Buttons** on both sides of the **Fixture** with the other hand. **CAUTION: The Lens may drop out quickly.** Lens is supported with (2) **Tether Cables** (Fig. 3).
5. Make electrical connections as shown in wiring diagram (Fig. 14). Use approved wiring connectors and suitable conduit (not provided). Wire to local NEC codes. Push all wires back into **Fixture Housing**. Be careful not to pinch wires.
6. Snap **Lens** back into **Fixture Housing** and remove protective plastic from **Lens**.

WARNING: To prevent wiring damage or abrasion, do not expose wiring to sharp objects.



INSTRUCTIONS

FIELD-ADJUSTABLE SR™ INSTALLATION



RAB Lighting is committed to creating high-quality, affordable, well-designed and energy-efficient LED lighting and controls that make it easy for electricians to install and end users to save energy. We'd love to hear your comments. Please call the Marketing Department at 888-RAB-1000 or email: marketing@rablighting.com

CONTINUOUS RUN MOUNTING *(multiple fixtures can be mounted together)*

For Surface Mounting

(Multiple fixture wiring kit sold separately, CAT# SR JOIN KIT)

1. Press and hold the **Release Buttons** (4) on both sides of the **Fixture Housing** to release the **Lens** (Fig. 1). When pressing the **Release Buttons** use one hand to hold the **Lens** and press the **Release Buttons** on both sides of the **Fixture** with the other hand. **CAUTION: The Lens may drop out quickly.** Lens is supported with (2) **Tether Cables** (Fig. 3).
2. Use a screwdriver to open the **Knockout Hole** and install the **Wire Guard** (*provided with Junction Box Cover Plates*) to protect wires from sharp edges (Fig. 7).
3. Attach both **Junction Box Cover Plates** to the **Fixture Housing** by sliding in the direction of arrows as shown in Fig. 2. Secure with (4) **Screws** (*provided*). Only one Fixture needs to be electrically hardwired from above.
4. Feed supply wires through **Wire Access Hole** (Fig. 6). Secure **Fixture Housing** to junction box or building structure.
5. Make electrical connections as shown in wiring diagram (Fig. 14). Use approved wiring connectors and wire to local NEC codes. Push all wires back into **Fixture Housing**. Be careful not to pinch wires.
6. Snap Lens back into Fixture Housing and remove protective plastic from Lens.

CAUTION: The maximum number of fixtures allowed to be linked together is indicated in the table below (Fig. 9).

WARNING: To prevent wiring damage or abrasion, do not expose wiring to sharp objects.

Fig: 6

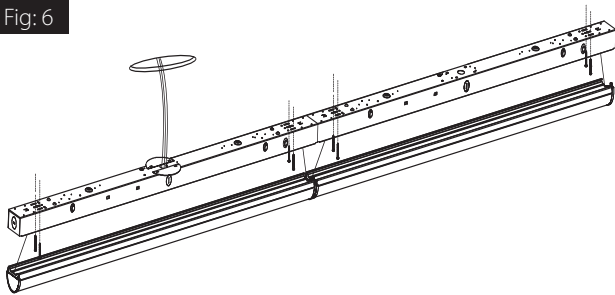
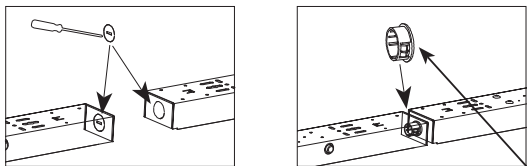


Fig: 7



Wire Guard

For V-Hook/Chain Mounting

(Multiple fixture wiring kit sold separately, CAT# SR JOIN KIT)

1. Use a screwdriver to open the **Knockout Hole** and install the **Wire Guard** (*provided with Junction Box Cover Plates*) to protect wires from sharp edges (Fig. 7).
2. Install **Joiner Bracket** to connect multiple fixtures together and secure with (8) **Screws** (Fig. 8).
3. Connect the **Chains** to the mounting surface and hang Fixture from the V-Hooks as shown in Fig. 5
4. Fixture mounting height and spacing should be determined by application requirements. **V-Hook** and **Chain** is suitable to support four (4) times the weight of the fixture.
5. Press and hold the **Release Buttons** (4) on both sides of the **Fixture Housing** to release the **Lens** (Fig. 1). When pressing the **Release Buttons** use one hand to hold the **Lens** and press the **Release Buttons** on both sides of the Fixture with the other hand. **CAUTION: The Lens may drop out quickly.** Lens is supported with (2) **Tether Cables** (Fig. 3).
6. Make electrical connections as shown in wiring diagram (Fig. 14). Use approved wiring connectors and suitable conduit (*not provided*). Wire to local NEC codes. Be careful not to pinch wires.
7. Snap **Lens** back into **Fixture Housing** and remove protective plastic from **Lens**.

CAUTION: The maximum number of fixtures allowed to be linked together is indicated in the table below (Fig. 9).

WARNING: To prevent wiring damage or abrasion, do not expose wiring to sharp objects.

Fig: 8

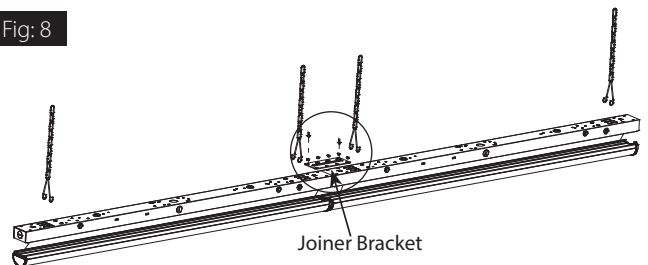


Fig: 9

Catalog #	Maximum Number of Linked Fixtures
SR2	Up to 27 fixtures
SR4	Up to 13 fixtures
SR8	Up to 9 fixtures

INSTRUCTIONS

FIELD-ADJUSTABLE SR™ INSTALLATION

RAB®

RAB Lighting is committed to creating high-quality, affordable, well-designed and energy-efficient LED lighting and controls that make it easy for electricians to install and end users to save energy. We'd love to hear your comments. Please call the Marketing Department at 888-RAB-1000 or email: marketing@rablighting.com

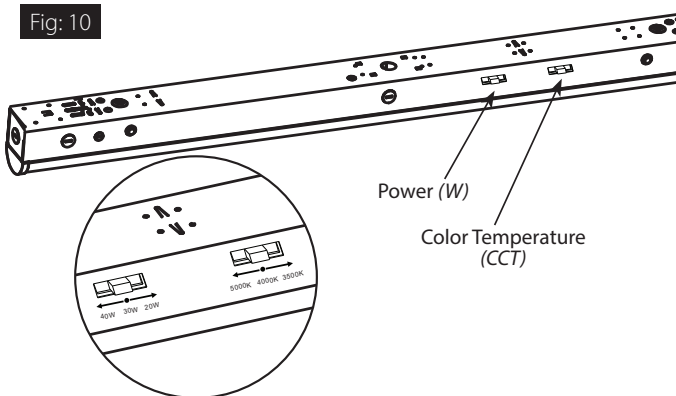
FIELD ADJUSTMENT

Follow instructions below to change the **Fixture Power (W)** and/or **Color Temperature (CCT)** from factory settings:

Factory Settings:

SR2 19/14/10W	19W / 4000K
SR4 40/30/20W	40W / 4000K
SR4L 28/21/14W	28W / 4000K
SR8 60/50/40W	60W / 4000K
SR8H 85/75/54W	85W / 4000K

1. Locate the **Field Adjustable Switches** on the side of **Fixture Housing** as shown in Fig. 10.
2. Select **Power (W)** and **Color Temperature (CCT)** by sliding respective switch to the desired value (Fig. 10).



SR VHOOK ACCESSORY KIT

SR VHOOK Kit includes the following:

- 40" Chain (2)
- V-Hooks (2)

SR JOIN ACCESSORY KIT

SR JOIN Kit includes the following:

- Joiner Bracket w/ 8 Screws
- Nuts (12)
- Wires (12 - Tinned copper)

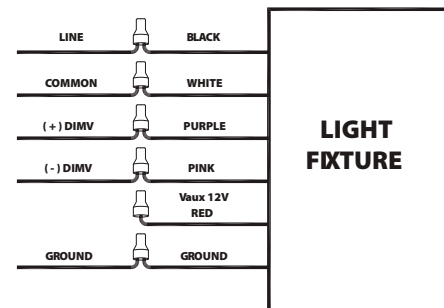
Note: These instructions do not cover all details or variations in equipment nor do they provide for every possible situation during installation, operation or maintenance.

0-10V DIMMABLE WIRING

RISK OF FIRE. Universal voltage driver permits operation at 120V through 277V, 50 or 60 Hz. For 0-10V dimming follow the wiring directions as shown in Fig. 11.

1. Connect the black fixture lead to the LINE supply lead.
2. Connect the white fixture lead to the COMMON supply lead.
3. Connect the green GROUND wire from fixture to supply ground.
4. Connect the purple fixture lead to the (V+) DIM lead.
5. Connect the pink fixture lead to the (V-) DIM lead.
6. Cap the yellow fixture lead, if present. Do NOT connect.

Fig. 11

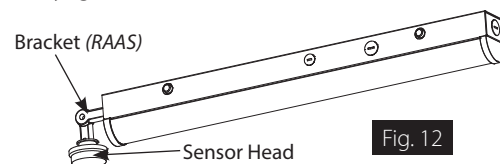


PIR MODELS (External)

Screw **Sensor Head** onto the **Bracket (RAAS)** as shown in Fig. 12. See factory settings below (optional remote sold separately for custom settings, CAT# MSR1).

Factory Settings:

- Brightness: 100%
- Sensitivity: 100%
- Hold Time: 1 Minute
- Stand-by dimming level: 20%
- Daylight: Disabled
- Stand-by time: 20 Minutes



MVS MODELS (Internal)

(optional remote sold separately for custom settings, CAT# MSR1).

Factory Settings:

- Brightness: 100%
- Sensitivity: 100%
- Hold Time: 1 Minute
- Stand-by dimming level: 20%
- Daylight: Disabled
- Stand-by time: 20 Minutes

INSTRUCTIONS

FIELD-ADJUSTABLE SR™ INSTALLATION



RAB Lighting is committed to creating high-quality, affordable, well-designed and energy-efficient LED lighting and controls that make it easy for electricians to install and end users to save energy. We'd love to hear your comments. Please call the Marketing Department at 888-RAB-1000 or email: marketing@rablighting.com

LIGHTCLOUD® BLUE MVS & PIR MODELS

This is a 12V low voltage controller with an integrated occupancy sensor. Screw the Sensor Head onto the **Bracket (RAAS)** as shown

Factory Settings: Uncommissioned State

- Sensor Status: Enabled
- Motion Sensitivity: High
- Brightness when triggered: 100%
- Hold time: 1 Minute
- Standby to dim: 20%

Factory Settings: Commissioned State

- Sensor Status: Disabled (*When the sensor is enabled in the Lightcloud Blue app it will have the following default settings:*)
- Motion Sensitivity: High
- Brightness when triggered: Last on status
- Hold time: 20 Minutes
- When vacant: Off

CONTROLLING LIGHTCLOUD BLUE DEVICE

1. Confirm your device is powered on.
2. Download the Lightcloud Blue app from the Apple® App store or Google Play™ store.
3. Launch the App and create an account or login.
4. Tap the "add device" icon in the app to start connecting devices.
5. Follow the remaining steps in the app. Create Areas and Groups and add Scenes to organize and control your devices.

ENABLE DEVICE PAIRING MODE

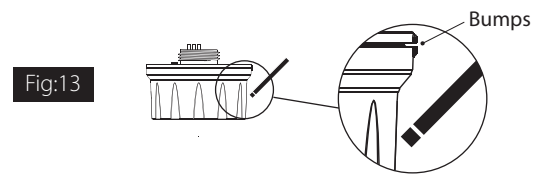
If your Lightcloud Blue Low Voltage Controller+Sensor is already paired there are various options to choose from to return the device to the default factory settings.

Method 1: Delete from the App

Open the app and access the device settings for the paired device. Be sure that the device is online with a strong connection and select 'Delete'. The fixture will flash 3x, then reset to 100% brightness.

Method 2: Rapid Reset Tool

The Rapid Reset process must be done by a professional electrician qualified by RAB. Reach out to your RAB sales manager to request a Rapid Reset Tool. The tool simply needs to be placed directly on the side of the device for 2s or until the fixture flashes 3x, then resets to 100% brightness.



BRACKET (RAAS) INSTALLATION

Connect the Bracket (RAAS) to a 1/2" knockout of a compatible fixture, see wiring diagram as shown in Fig. 14. Unscrew the 1/2" knockout on the Bracket (RAAS) with a screwdriver and screw on the Low Voltage Controller+Sensor. Screw in the Low Voltage Controller+Sensor to the Bracket (RAAS). Follow the wiring instructions as shown in Fig. 14.

TROUBLESHOOTING

1. Check that the line voltage at the fixture is correct. Refer to wiring diagram.
2. Be sure the fixture is grounded properly.
3. If the Lightcloud Blue Low Voltage Controller+Sensor does not connect try the Rapid Reset Tool to reset the device to enable device pairing mode..

CLEANING & MAINTENANCE

CAUTION: Be sure fixture temperature is cool enough to touch. Do not clean or maintain while fixture is energized.

1. Clean polycarbonate lens with non-abrasive cleaning solution.
2. Do not open the fixture to clean the LEDs. Do not touch the LEDs.

INSTRUCTIONS

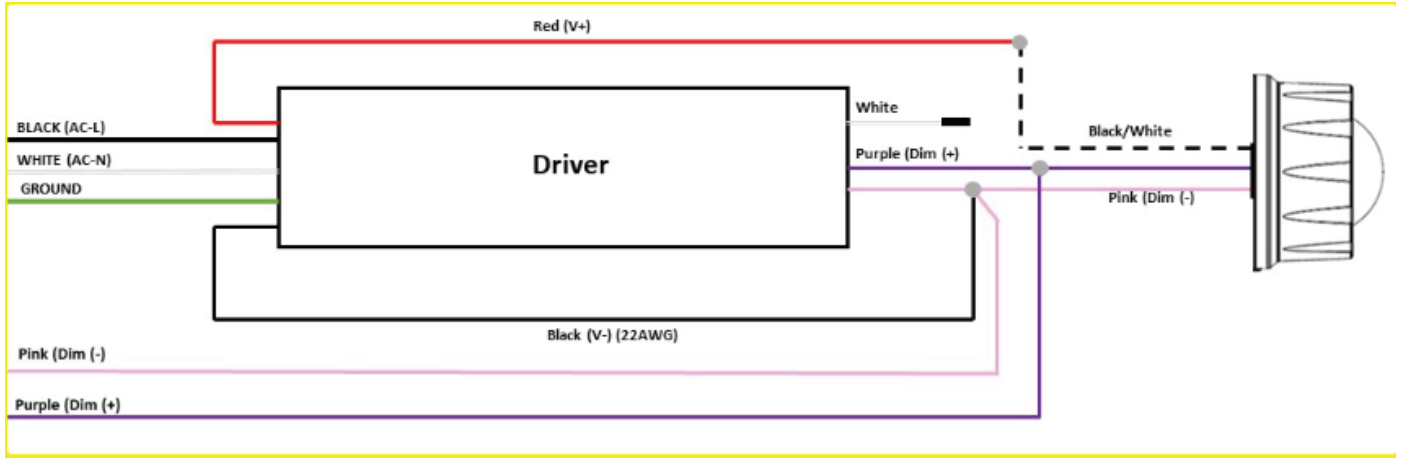
FIELD-ADJUSTABLE SR™ INSTALLATION



RAB Lighting is committed to creating high-quality, affordable, well-designed and energy-efficient LED lighting and controls that make it easy for electricians to install and end users to save energy. We'd love to hear your comments. Please call the Marketing Department at 888-RAB-1000 or email: marketing@rablighting.com

BRACKET (RAAS) WIRING DIAGRAM

Fig:14



INSTRUCTIONS

FIELD-ADJUSTABLE SR™ INSTALLATION



RAB Lighting is committed to creating high-quality, affordable, well-designed and energy-efficient LED lighting and controls that make it easy for electricians to install and end users to save energy. We'd love to hear your comments. Please call the Marketing Department at 888-RAB-1000 or email: marketing@rablighting.com

BATTERY BACKUP MODELS

WIRING

CAUTION: FOR BATTERY BACKUP FIXTURE. Voltage can be present in **BATTERY**. To prevent high voltage from being present on output leads, Inverter connector must be open. Do not join **BATTERY** connector until installation is complete.

NOTE: Make sure that the necessary branch circuit wiring is available. An **UNSWITCHED AC** source of power is required. The emergency driver must be fed from the same branch circuit as the LED driver. Reference Fig.15 for wiring diagram. For Battery Backup Modes with **BRACKET (RAAS)** reference wiring diagram as shown in Fig. 17.

CAUTION: Do not use any supply voltage other than 120-277V. 50/60 Hz.

1. Connect **UNSWITCHED HOT** fixture lead to **HOT AC** supply line.
2. If using an **UNSWITCHED** circuit, connect **UNSWITCHED** and **SWITCHED** lines together.
3. If using a **SWITCHED** circuit, connect **SWITCHED HOT** lead to the switch.
4. For 0-10V dimming, connect **DIM (+)** purple and **DIM (-)** pink leads to 0-10V dimming connection.
5. All unused leads must be capped and insulated.
6. When power is on, the fixture should be on and the **CHARGING INDICATOR LIGHT** should illuminate to indicate the battery is charging.
7. Once the **BATTERY** has charged for at least one hour, a short duration test may be performed by pressing the **Test Button** as shown in Fig. 16.
8. After the battery has charged for 24 hours, a long duration test can be performed by disconnecting power to the fixture.

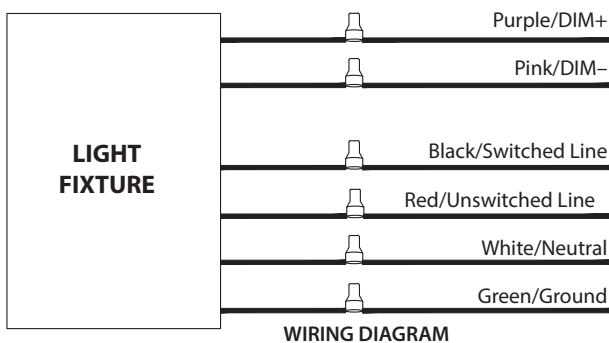


FIG. 15

OPERATION

1. When AC power is applied the charging indicator light is illuminated indicating that the **BATTERY** is being charged.
2. When power fails the standby power automatically switches to emergency power (*internal battery*) operating at reduced illumination.
3. When AC power is restored the emergency driver automatically returns to charging mode.

MAINTENANCE

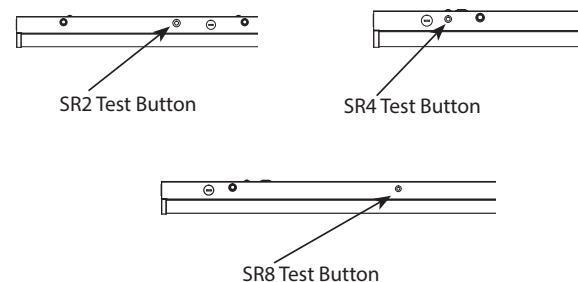
Although no routine maintenance is required to keep the emergency driver functional, it should be checked periodically to ensure that it is working. The following schedule is recommended:

1. Visually inspect the charging indicator light monthly. It should be illuminated
2. Test the emergency operation of the fixture at 30-day intervals for a minimum of 30 seconds.
3. Conduct a 90-minute discharge test once a year. Fixture would operate at reduced illumination for a minimum of 90 minutes.

TROUBLESHOOTING

1. Be sure the fixture is grounded properly.
2. If the charging indicator light does not illuminate after pressing and releasing the **Test Button** (Fig. 16), check power and check if battery is connected properly.

FIG. 16



© 2023 RAB LIGHTING Inc.

SR - IN - 0423
P-100266

Easy Answers

rablighting.com
Visit our website for product info

Tech Help Line
Call our experts: 888 722-1000

e-mail
Answered promptly - sales@rablighting.com

Free Lighting Layouts
Answered online or by request

RAB WARRANTY: RAB's warranty is subject to all terms and conditions found at rablighting.com/warranty

INSTRUCTIONS

FIELD-ADJUSTABLE SR™ INSTALLATION



RAB Lighting is committed to creating high-quality, affordable, well-designed and energy-efficient LED lighting and controls that make it easy for electricians to install and end users to save energy. We'd love to hear your comments. Please call the Marketing Department at 888-RAB-1000 or email: marketing@rablighting.com

BRACKET (RAAS) WITH BATTERY BACKUP INSTALLATION

Fig:17

