

# SAGE: REED Landscape Lighting



SA-REWP  
Wall Sconce

SA-REBR  
Bollard w/  
Accent ring

SA-REB  
Bollard



PROJECT: \_\_\_\_\_

DATE: \_\_\_\_\_

TYPE: \_\_\_\_\_

PREPARED BY: \_\_\_\_\_



## KEY FEATURES

- SAGE-REED is available in three models:  
SA-REWP: Wall Sconce  
SA-REB: Bollard  
SA-REBR: Bollard with accent ring
- CCT: 3000K
- Voltage Rating: 120-277V
- IP65 rated
- 5-year, limited warranty

## Architectural landscape lighting



**IP65**  
IP RATING

## PERFORMANCE

SA-RE	3000K		
Type	Bollard	Bollard w/Accent Ring	Wall Sconce
Input Watts	6.99W	8.77W	6.63W
Lumens	287	341	532
Lm/W	41.1	38.9	80.2
CRI	83	85	84
Voltage Rating	120-277V		

### Lifespan

100,000-hour LED lifespan based on IES LM-80 results and TM-21 calculations

## TECHNICAL SPECIFICATIONS

### CONSTRUCTION

#### Cold Weather Starting

Minimum starting temperature is -40°C (-40°F)

#### Maximum Ambient Temperature

Suitable for use in up to 45°C (113°F)

#### Housing

Die-cast aluminum

#### Lens

Polycarbonate

## TECHNICAL SPECIFICATIONS

### CONSTRUCTION

#### Mounting

SA-REWP: Octangular J-Box or bracket for the wall-mount (J-Box not provided)

SA-REB / SA-REBR: 3pcs anchor bolts for mounting

#### Gaskets

Silicone

#### Green Technology

Mercury and UV free. RoHs-compliant components.

#### Finish

Formulated for high durability and long lasting color. Available in matte bronze finish.

#### IP Rating

Ingress protection of IP65 for dust and water

### COMPLIANCE

#### UL Listed

Suitable for wet locations

### ELECTRICAL

#### Drivers:

Constant Current, Class 2, 120V, 50/60 Hz

SA-REWP: 0.06A@120V, 0.04A @208V, 0.03A @240V, 0.03A @277V

SA-REB: 0.06A@120V, 0.04A @208V, 0.03A @240V, 0.03A @277V

SA-REBR: 0.08A@120V, 0.05A @208V, 0.04A @240V, 0.04A @277V

#### Surge Protection

2kV (L-N)

## TECHNICAL SPECIFICATIONS

### ELECTRICAL

THD / Power factor @ Static 3000K Models:

MODEL#	THD	PF	THD	PF
	120V		277V	
SA-REB	6.1%	99.7%	11.5%	93.4%
SA-REBR	7.6%	99.7%	8.3%	93.6%
SA-REWP	5.8%	99.7%	10.8%	93.1%

Note: All values are typical (tolerance +/- 10%)

### LED CHARACTERISTICS

#### LEDS

Long-life, high-efficacy, surface-mount LEDs

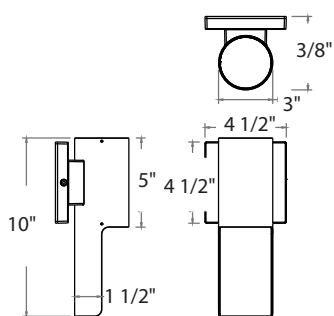
#### Color Uniformity

RAB's range of Correlated Color Temperature follows the guidelines of the American National Standards for Specifications for the Chromaticity of Solid State Lighting (SLL) Products, ANSI C78.377-2017.

## DIMENSIONS

### SA-REWP

Weight: 1.76 lbs



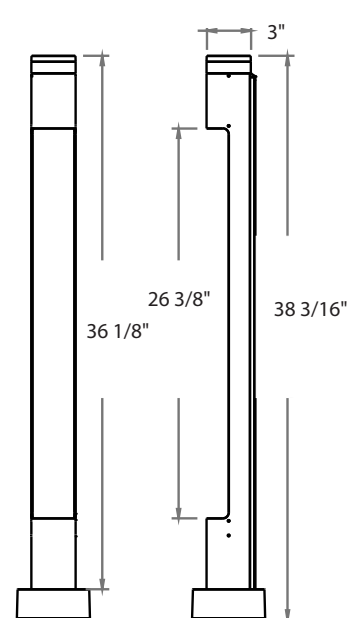
### SA-REB

Weight: 4.41 lbs



### SA-REBR

Weight: 4.41 lbs



## ORDERING MATRIX

### SAGE (REED)

FAMILY	SHAPE	TYPE	CCT	FINISH	DRIVER
SA	RE				
	RE	Reed	WP B BR	Wall Sconce Bollard Bollard With Accent Ring	BLANK 3000K BLANK Matte Bronze BLANK 120-277V