

# SAGE: POUF Landscape Lighting



SA-PD  
Deck Light



SA-PB  
Bollard



PROJECT: \_\_\_\_\_

DATE: \_\_\_\_\_

TYPE: \_\_\_\_\_

PREPARED BY: \_\_\_\_\_



## KEY FEATURES

- SAGE-POUF is available in two models:  
SA-PB: Bollard  
SA-PD: Deck Light
- CCT: 3000K or RGBW color tuning with Lightcloud Blue
- RGB models directly connect to the Lightcloud Blue mobile app via Bluetooth. No Gateway or Hub required
- Voltage Rating: 120-277V
- IP65 rated
- 5-year, limited warranty

Color-tunable, architectural landscape lighting



\* Select Models

## PERFORMANCE

SA-PB/RGB	RED	GREEN	BLUE	2200K	2700K	3000K	3500K	4000K	SA-PB	3000K
INPUT WATTS	2.39W	2.38W	2.38W	3.28W	3.87W	4.49W	8.91W	8.06W	INPUT WATTS	8.08W
LUMENS	22	53	8	65	110	158	484	484	LUMENS	541
EFFICACY	9.2	22.3	3.4	19.8	28.4	35.2	54.3	60.0	EFFICACY	67.0
CRI				64	83	93	88	84	CRI	84
VOLTAGE RATINGS	120-277V								VOLTAGE RATINGS	120-277V

SA-PD/RGB	RED	GREEN	BLUE	2200K	2700K	3000K	3500K	4000K	SA-PD	3000K
INPUT WATTS	2.40W	2.40W	2.39W	3.33W	3.88W	4.62W	8.93W	7.88W	INPUT WATTS	8.26W
LUMENS	23	55	9	66	111	171	514	499	LUMENS	603
EFFICACY	9.6	22.9	3.8	19.8	28.6	37.0	57.6	63.3	EFFICACY	73.0
CRI				62	82	94	86	83	CRI	84
VOLTAGE RATINGS	120-277V								VOLTAGE RATINGS	120-277V

### Lifespan

100,000-hour LED lifespan based on IES LM-80 results and TM-21 calculations

## TECHNICAL SPECIFICATIONS

### CONSTRUCTION

#### Cold Weather Starting

Minimum starting temperature is -40°C (-40°F)

#### Maximum Ambient Temperature

Suitable for use in up to 45°C (113°F)

#### Housing

Die-cast aluminum

#### Mounting

**SA-PB:** 4pcs anchor bolts for mounting

**SA-PD:** Octangular J-Box or bracket for the wall-mount (J-Box not provided)

#### Lens

Polycarbonate

#### Gaskets

Silicone

#### Green Technology

Mercury and UV free. RoHS-compliant components.

#### Finish

Formulated for high durability and long lasting color. Available in matte bronze finish.

#### IP Rating

Ingress protection of IP65 for dust and water

### COMPLIANCE

#### UL Listed

Suitable for wet locations

### ELECTRICAL

#### Drivers:

Constant Current, Class 2, 120V, 50/60 Hz

**SA-PB:** 0.07A@120V, 0.04A @208V, 0.04A @240V, 0.04A @277V

**SA-PD:** 0.07A@120V, 0.04A @208V, 0.04A @240V, 0.04A @277V

#### Surge Protection

2kV (L-N)

#### THD / Power factor:

MODEL#	THD	PF	THD	PF
	120V		277V	
SA-PB	9.5%	98.9%	21.9%	89.7%
SA-PD	8.9%	98.9%	21.5%	90.2%
SA-PB/RGB:				
RED	16.9%	91.2%	18.5%	51.2%
GREEN	17.0%	91.2%	18.6%	51.2%
BLUE	17.2%	91.0%	18.6%	50.8%
2200K	12.6%	95.6%	15.9%	61.8%
2700K	12.3%	96.7%	14.4%	67.9%
3000K	12.2%	97.4%	12.9%	72.6%
3500K	8.6%	99.1%	8.8%	89.5%
4000K	9.1%	99.0%	8.8%	87.8%

### ELECTRICAL

#### THD / Power factor (Continued):

MODEL#	THD	PF	THD	PF
	120V		277V	
SA-PD/RGB				
RED	20.5%	90.4%	18.2%	50.2%
GREEN	20.7%	90.3%	18.3%	50.4%
BLUE	21.0%	90.2%	18.4%	50.0%
2200K	12.8%	95.6%	15.5%	61.3%
2700K	12.4%	96.6%	14.3%	66.7%
3000K	12.2%	97.4%	12.6%	72.7%
3500K	8.7%	99.1%	8.7%	89.2%
4000K	9.4%	98.9%	9.0%	86.7%

Note: All values are typical (tolerance +/- 10%)

### LED CHARACTERISTICS

#### LEDs

Long-life, high-efficacy, surface-mount LEDs

#### Color Uniformity

RAB's range of Correlated Color Temperature follows the guidelines of the American National Standards for Specifications for the Chromaticity of Solid State Lighting (SLL) Products, ANSI C78.377-2017.

#### Color Temperature

Default: 3000K

/RGB models are adjustable using the Lightcloud Blue mobile app

Tunable White 2200K - 4000K

16+ million RGB color

### LIGHTCLOUD BLUE

#### Lightcloud Blue Enabled

Lightcloud Blue (LCB) is a Bluetooth Mesh wireless lighting control System that allows you to control RAB's various compatible devices. With RAB's patented Rapid Provisioning technology, devices can be quickly and easily commissioned for residential and large commercial applications using the Lightcloud Blue mobile app. Each device in a system can communicate with any other device, eliminating the need for a Gateway or Hub and maximizing the control system's reach.

DLC system - N1XMLOEATBA (Interior); NHCZ2BIA17L (Exterior)

Learn more at [www.lightcloud.com](http://www.lightcloud.com)

### OTHER

#### Warranty

The RAB 5-year, limited warranty covers light output, driver performance and paint finish. RAB's warranty is subject to all terms and conditions found at [rablighting.com/warranty](http://rablighting.com/warranty).

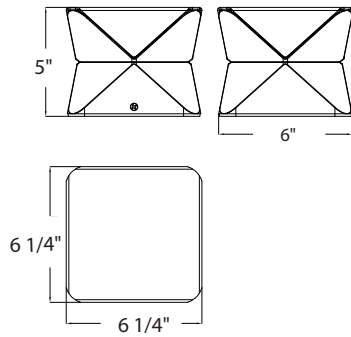
# SAGE: POUF Landscape Lighting



## DIMENSIONS

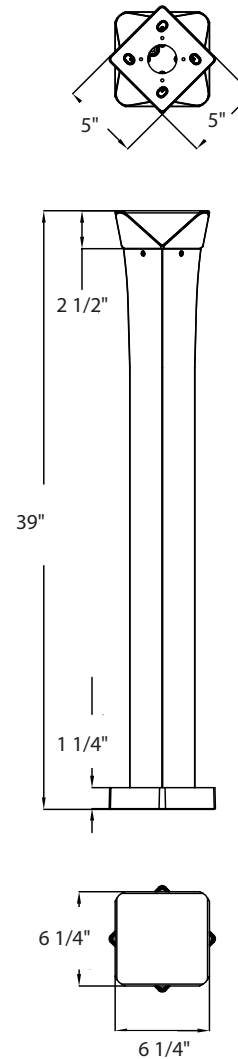
### SA-PD

Weight: 2.65 lbs



### SA-PB

Weight: 5.51 lbs



## ORDERING MATRIX

### SAGE (POUF)

FAMILY	SHAPE	TYPE	CCT	FINISH	DRIVER	OPTIONS
SA	P	B D	BLANK BLANK	BLANK Matte Bronze	BLANK 120-277V	Blank /RGB No Option 16+ million colors
	p Pouf	Bollard Deck Light	3000K 2200K-4000K* Tunable White			

\* Applies to RGB models only