

# Edge-lit Wafer Dedicated CCT



4 inch

6 inch

Super slim design



PROJECT: \_\_\_\_\_

DATE: \_\_\_\_\_

TYPE: \_\_\_\_\_

PREPARED BY: \_\_\_\_\_



## KEY FEATURES

- Super slim Edge-lit fixture for thin fixture depth
- No recessed housing or J-box required
- New construction or retrofit applications
- Smooth diffused uniform light distribution
- Dimmable down to 10% on compatible dimmers

## PERFORMANCE

Catalog Number	Size	Trim Style	Wattage Equivalency	Input Wattage	Lumens	Efficacy	Dim Type	Input Voltage
WFRL4R9930120WS	4"	Smooth	9W	60W Incandescent	650 Lm	72 Lm/W	TRIAC/ELV	120V
WFRL4R9940120WS								
WFRL6R13930120WS	6"		13W	65W Incandescent	1,000 Lm	77 Lm/W		
WFRL6R13940120WS								

Catalog Number	Beam Angle	Color Temperature	CRI	Lifespan	Environment	Energy Star ID
WFRL4R9930120WS	110°+/-10°	3000K	≥90	50,000 Hrs	Wet	2382964
WFRL4R9940120WS		4000K				2382966
WFRL6R13930120WS		3000K				2382938
WFRL6R13940120WS		4000K				2382940

## TECHNICAL SPECIFICATIONS

### CONSTRUCTION

**Product Type**

Edge-lit wafer

**Size**

4" and 6"

**Shape**

Round

**Trim Style**

Smooth

**Enclosure Material**

Plastic

**Finish**

White

**Lens**

Polycarbonate light diffuser distributes light evenly and smoothly for general lighting applications

### COMPLIANCE

**Listings**

UL Listed

**Environment**

Suitable for use indoors and outdoors in dry, damp, or wet environments.

**IC Rated**

"Suitable for direct contact with insulation.

Type IC inherently protected, suitable for direct contact to air permeable insulation and cULus listed for damp locations. Not for use in direct contact with spray foam insulation, consult NEMA LSD57-2013."

**Energy Star Approved**

This product is ENERGY STAR® Version 2.2 Certified.

**California Title 20 Compliant**

No

**California Title 24 JA8 Compliant**

Can be used to conform with the requirements of California Title 24 Part 6.

**California Energy Commission (CEC) Status**

Lawful for Sales in California

**NEC Compliant**

Suitable for use in closets. Compliant with NEC Sec. 410.16 (A)(1) and 410.16 (C3).

**IESNA LM-79 & LM80 Testing**

RAB LED luminaires and LED components have been tested by an independent laboratory in accordance with IESNA LM-79 and LM-80.

**RoHS**

Mercury and UV free. RoHS-compliant components.

**FCC**

Complies with Part 15 of the FCC Rules

### OTHER

**Warranty**

RAB warrants that our LED products will be free from defects in materials and workmanship for a period of five (5) years from the date of delivery to the end user, including coverage of light output, color stability, driver performance and fixture finish. RAB's warranty is subject to all terms and conditions found at [rablighting.com/warranty](http://rablighting.com/warranty).

**Note**

All values are typical (tolerance +/- 10%)

### INSTALLATION

**Remote Driver/Junction Box**

Die formed metal driver / junction box with captive hinged junction box cover. Listed for Maximum of (4) 12AWG through branch circuit conductor suitable for 90° C permitted in box. Easy to wire in 2in/2out (plus ground) applications. (4) conduit pry-outs. (3) quick snap-in connectors for quick and reliable line voltage connections. Integral mounting facilitates direct mounting to building structure or mounting frame.

**Mounting**

Recessed

**Base Type**

n/a

### ELECTRICAL

**Dimming**

Yes, dimmable down to 10% on compatible TRIAC/ELV dimming systems. See Dimmer Compatibility List.

**Driver**

Constant Current, Class 2

**Input Voltage**

120V

**Operating Frequency**

60Hz

**Operating Temperature**

-4°F to 104°F (-20°C to 40°C)

**THD**

≤20%

**Power Factor**

≥0.9

**Flicker**

≤5%

### LED CHARACTERISTICS

**Beam Angle**

110°+/-10°

**Color Temperature**

3000K

**Color Accuracy (CRI)**

>90 CRI

**R9 Value**

High color performance with R9 greater than 50

**Color Consistency**

<4-step MacAdam Ellipse binning to achieve consistent fixture-to-fixture color

**Color Stability**

LED color temperature is warrantied to shift no more than 200K in color temperature over a 5-year period

**Color Uniformity**

RAB's range of Correlated Color Temperature follows the guidelines of the American National Standard for Specifications for the Chromaticity of Solid State Lighting (SSL) Products, ANSI C78.377-2017.

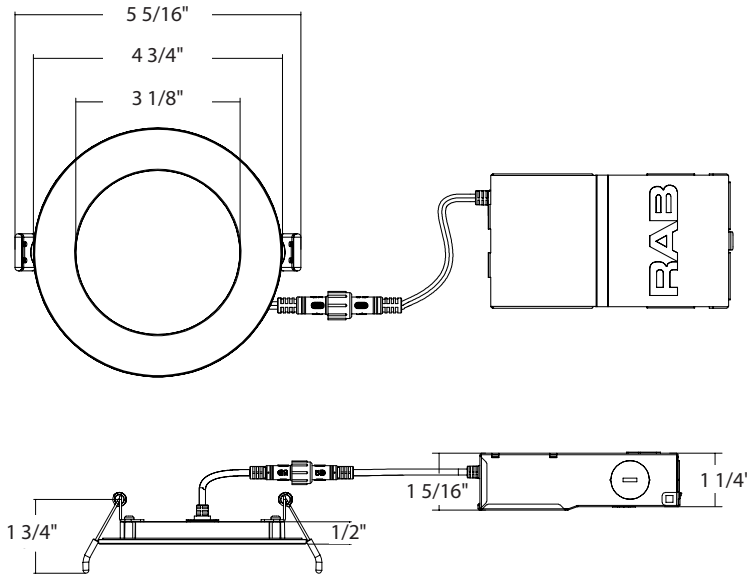
# Edge-lit Wafer Dedicated CCT



## DIMENSIONS

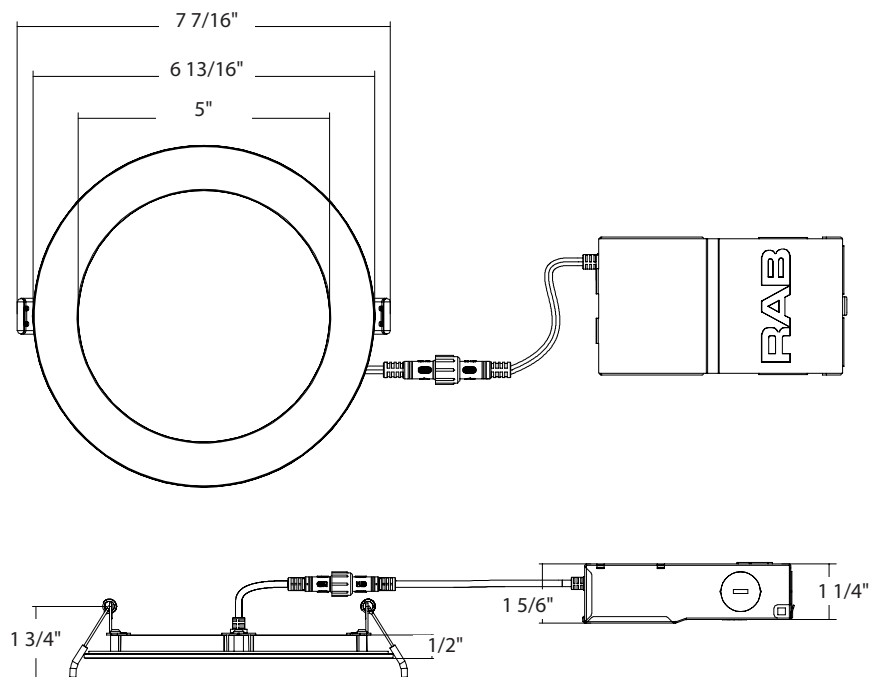
### 4" Wafer

Weight: 0.74 lbs



### 6" Wafer

Weight: 0.95 lbs



## ACCESSORIES

### Color Trims 4" Smooth



Black



Bronze



Brushed Nickel

Catalog Number	UPC	Description
WFRL-TRIM-4R-BS	192552013659	4" Round black smooth trim
WFRL-TRIM-4R-BRS	192552013666	4" Round bronze smooth trim
WFRL-TRIM-4R-BNS	192552013673	4" Round brushed nickel smooth trim

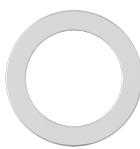
### 6" Smooth



Black



Bronze



Brushed Nickel

Catalog Number	UPC	Description
WFRL-TRIM-6R-BS	192552013680	6" Round black smooth trim
WFRL-TRIM-6R-BRS	192552013697	6" Round bronze smooth trim
WFRL-TRIM-6R-BNS	192552013703	6" Round brushed nickel smooth trim

### Goof Rings



WFRL-GOOF-4R-6R-W



WFRL-GOOF-6R-8R-W

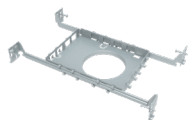
Catalog Number	UPC	Description
WFRL-GOOF-4R-6R-W	192552013604	4"-6" Round goof ring white
WFRL-GOOF-6R-8R-W	192552013611	6"-8" Round goof ring white

### Emergency Driver



Catalog Number	UPC	Description
DRI-25-EMGR-DC	19813519180	Emergency driver

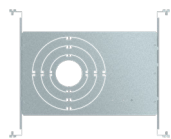
### Mounting Plates



DLPLATE/WFR4/NB/CL



DLPLATE/WFR6/NB/CL



DLPLATE/WFR3468/NB



DLPLATE/WFR3456



DLPLATE/WFR4



DLPLATE/WFR6

Catalog Number	UPC	Description
DLPLATE/WFR4/NB/CL	192552036993	4" Mounting plate with drywall collar
DLPLATE/WFR6/NB/CL	192552037006	6" Mounting plate with drywall collar
DLPLATE/WFR3468/NB	192552000673	3", 4", 6", 8" Mounting plate w/nailer bar
DLPLATE/WFR3456	192552025584	3", 4", 5", 6" Mounting plate
DLPLATE/WFR4	192552039819	4" Wafer mounting plate w/o Nailer Bar
DLPLATE/WFR6	192552039826	6" Wafer mounting plate w/o Nailer Bar

## ORDERING INFO

Catalog Number	Model Number (Energy Star)	UPC	Case Pack
WFRL4R9930120WS	DLW0060(WFRL4R9930120WS)	192552013406	4
WFRL4R9940120WS	DLW0061(WFRL4R9940120WS)	192552013413	4
WFRL6R13930120WS	DLW0062(WFRL6R13930120WS)	192552013420	4
WFRL6R13940120WS	DLW0063(WFRL6R13940120WS)	192552013437	4

## ORDERING MATRIX

Family	Size	Shape	CRI/Color Temp	Voltage	Finish	Trim		
WFRL	<input type="text"/>	<input type="text"/>	<input type="text"/>	<input type="text"/>	<input type="text"/>	<input type="text"/>		
	4 6	4" 6"	Blank Round	940 940	90 CRI, 4000K Neutral 90 CRI, 3000K Warm	120 120V, TRIAC/ELV	W White	S Smooth