

CRX High-Output, Field-Adjustable Downlights



PROJECT: _____

DATE: _____

TYPE: _____

PREPARED BY: _____



Certified to UL Listed



Canless installation with remote driver



KEY FEATURES

- Selectable CCT and lumens for greater stocking convenience and control
- Comes with a remote driver with built-in junction box and quick disconnect; Eliminates the need for a traditional, multi-piece fixture setup
- Ideal for **new construction**, **remodel**, and **retrofit** applications
- Interchangeable trims available in matte black, brushed nickel, and bronze
- Universal Dimming that can be used on **120V TRIAC** and **ELV Dimmer** or **0-10V dimming**

PERFORMANCE

Catalog Number	Size	Wattage Equivalency	Input Wattage	Lumens	Efficacy	Beam Angle	Dim Type	Input Voltage	Color Temperature	CRI	L70 Lifespan
CRX3	3"	40W CFL	15/12/9W	1,500/1,200/900lm	100 lm/W	90°	0-10V+ TRIAC/ELV	120-277V	Field-adjustable via dip switch 2700/3000/3500/4000/5000K	90+	50,000 hr
CRX4	4"	52W CFL	20/16/12W	2,000/1,600/1,200 lm	100 lm/W	90°					
CRX6	6"	125W CFL	50/40/30W	5,000/4,000/3,000 lm	100 lm/W	90°					
CRX6/D10	6"	125W CFL	55/43/32W	5,000/4,000/3,000 lm	93 lm/W	90°	0-10V				
CRX8/D10	8"	200W CFL	80/65/50W	8,000/6,500/5,000 lm	100 lm/W	90°					

CRX High-Output, Field-Adjustable Downlights



PERFORMANCE (CONT'D)

Catalog Number	CCT (K)	Lumens (lm)			Efficacy (lm/W)			Wattage Equivalency
		9W	12W	15W	9W	12W	15W	
CRX3	2700K	935 lm	1,253 lm	1,523 lm	110 lm/W	108 lm/W	104 lm/W	40W CFL
	3000K	956 lm	1,300 lm	1,587 lm	113 lm/W	113 lm/W	109 lm/W	
	3500K	976 lm	1,347 lm	1,652 lm	117 lm/W	119 lm/W	116 lm/W	
	4000K	993 lm	1,372 lm	1,685 lm	119 lm/W	121 lm/W	119 lm/W	
	5000K	1,001 lm	1,373 lm	1,676 lm	118 lm/W	118 lm/W	115 lm/W	
CRX4	CCT (K)	12W	16W	20W	12W	16W	20W	Wattage Equivalency
	2700K	1,303 lm	1,703 lm	2,055 lm	110 lm/W	107 lm/W	104 lm/W	52W CFL
	3000K	1,341 lm	1,779 lm	2,137 lm	113 lm/W	111 lm/W	108 lm/W	
	3500K	1,375 lm	1,832 lm/W	2,213 lm	117 lm/W	117 lm/W	113 lm/W	
	4000K	1,393 lm	1,858 lm	2,245 lm	118 lm/W	118 lm/W	115 lm/W	
	5000K	1,393 lm	1,838 lm	2,200 lm	117 lm/W	115 lm/W	111 lm/W	
CRX6	CCT (K)	30W	40W	50W	30W	40W	50W	Wattage Equivalency
	2700K	3,147 lm	4,083 lm	5,045 lm	106 lm/W	103 lm/W	102 lm/W	125W CFL
	3000K	3,281 lm	4,295 lm	5,357 lm	111 lm/W	108 lm/W	108 lm/W	
	3500K	3,396 lm	4,480 lm	5,632 lm	117 lm/W	115 lm/W	116 lm/W	
	4000K	3,444 lm	4,547 lm	5,720 lm	118 lm/W	116 lm/W	117 lm/W	
	5000K	3,408 lm	4,440 lm	5,498 lm	115 lm/W	111 lm/W	110 lm/W	
CRX6/D10	CCT (K)	33W	44W	55W	33W	44W	55W	Wattage Equivalency
	2700K	3,171 lm	4,231 lm	5,119 lm	103 lm/W	103 lm/W	98 lml/W	125W CFL
	3000K	3,299 lm	4,446 lm	5,401 lm	107 lm/W	108 lm/W	103 lm/W	
	3500K	3,423 lm	4,648 lm	5,684 lm	105 lm/W	116 lm/W	111 lm/W	
	4000K	3,468 lm	4,706 lm	5,745 lm	113 lm/W	116 lm/W	111 lm/W	
	5000K	3,457 lm	4,633 lm	5,578 lm	112 lm/W	113 lm/W	107 lm/W	
CRX8/D10	CCT (K)	50W	65W	80W	50W	65W	80W	Wattage Equivalency
	2700K	5,033 lm	6,612 lm	8,066 lm	102 lm/W	103 lm/W	105 lm/W	200W CFL
	3000K	5,245 lm	6,953 lm	8,547 lm	107 lm/W	108 lm/W	112 lm/W	
	3500K	5,469 lm	7,299 lm	9,064 lm	114 lm/W	117 lm/W	122 lm/W	
	4000K	5,537 lm	7,375 lm	9,146 lm	113 lm/W	116 lm/W	121 lm/W	
	5000K	5,462 lm	7,192 lm	8,807 lm	111 lm/W	112 lm/W	115 lm/W	

TECHNICAL SPECIFICATIONS

CONSTRUCTION

Product Type

Commercial Downlight with Remote Driver

Size

3", 4", 6", 8"

Shape

Round

Trim Style

White smooth splay trim & flange. Color trim overlays sold separately

Enclosure Material

Aluminum housing and die-cast heat sink for optimal thermal dissipation

Lens Finish

Deep regress lens made from frosted polycarbonate for glare reduction

INSTALLATION

Remote Driver/Junction Box

Die formed metal driver / junction box with captive hinged junction box cover. Listed for Maximum of (4) 12AWG through branch circuit conductor suitable for 90°C permitted in box. Easy to wire in 2in/2out (*plus ground*) applications. (4) conduit pry-outs. (3) quick snap-in connectors for quick and reliable line voltage connections. Integral mounting facilitates direct mounting to building structure or mounting frame.

Mounting

Recessed mounting. Retrofit installation with existing housing. Does not need existing housing when installed directly into drywall ceiling. Optional New Construction Housing available

ELECTRICAL

Dimmable

0-10V Models: dimmable on compatible 0-10 Dimmers down to 10%
TRIAC Dimming: At 120V only, dimmable on compatible TRIAC/EVL dimmers down to 10%

Driver

Constant Current, Class A, 50/60 Hz, 120V-277V, 120V: 0.14A, 208V: 0.07A; 240V: 0.06A 277V: 0.06A

Input Voltage

120-277V

Operating Frequency

50/60Hz

Operating Temperature

-4°F to 104°F (-20°C to 40°C)

THD

≤20%

Power Factor

≥0.9

Flicker

≤30%

LED CHARACTERISTICS

Beam Angle

85°+/-10%

Color Temperature

Field-adjustable via dip switch 2700/3000/3500/4000/5000K

Wattage Selectable

3 Brightness Options selected via dipswitch on Junction box

Color Accuracy (CRI)

90

R9 Value

High color performance with R9 greater than 50

Color Consistency

(2700K & 5000K) <4-step MacAdam Ellipse binning to achieve consistent fixture-to-fixture color

Color Stability

LED color temperature is warrantied to shift no more than 200K in color temperature over a 5-year period

Color Uniformity

RAB's range of Correlated Color Temperature follows the guidelines of the American National Standard for Specifications for the Chromaticity of Solid State Lighting (SSL) Products, ANSI C78.377-2017.

COMPLIANCE

Listings

UL Listed, UL Classified

Environment

Suitable for use indoors and outdoors in dry, damp, or wet environments.

IC Rated

Suitable for direct contact with insulation.

Type IC inherently protected, suitable for direct contact to air permeable insulation and cULus listed for damp locations. Not for use in direct contact with spray foam insulation, consult NEMA LSD57-2013.

Air Tight

Housing certified Air Tight as per ASTM E283

Energy Star Approved

This product is ENERGY STAR® Version 1.0 Certified.

California Title 24 JA8 Compliant

Can be used to conform with the requirements of California Title 24 Part 6.

California Energy Commission (CEC) Status

Lawful for Sales in California

NEC Compliant

Suitable for use in closets. Compliant with NEC Sec. 410.16 (A)(1) and 410.16 (C3).

IESNA LM-79 & LM80 Testing

RAB LED luminaires and LED components have been tested by an independent laboratory in accordance with IESNA LM-79 and LM-80.

FCC

Complies with Part 15 of the FCC Rules.

RoHS

Mercury and UV free. RoHS-compliant components.

CRX High-Output, Field-Adjustable Downlights



TECHNICAL SPECIFICATIONS (CONT'D)

OTHER

Warranty

RAB warrants that our LED products will be free from defects in materials and workmanship for a period of five (5) years from the date of delivery to the end user, including coverage of light output, color stability, driver performance and fixture finish. RAB's warranty is subject to all terms and conditions found at rablighting.com/warranty.

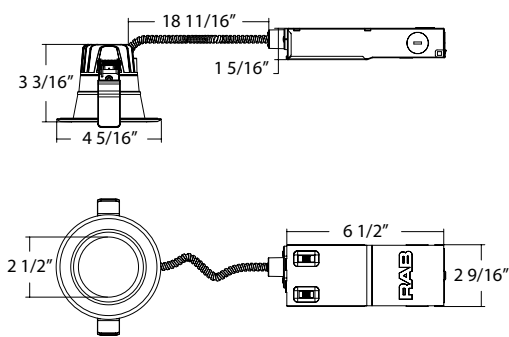
Note

All values are typical (tolerance +/- 10%)

DIMENSIONS

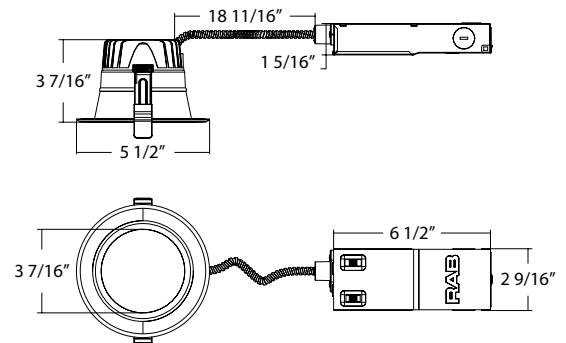
CRX3

Weight: 1.08 lbs



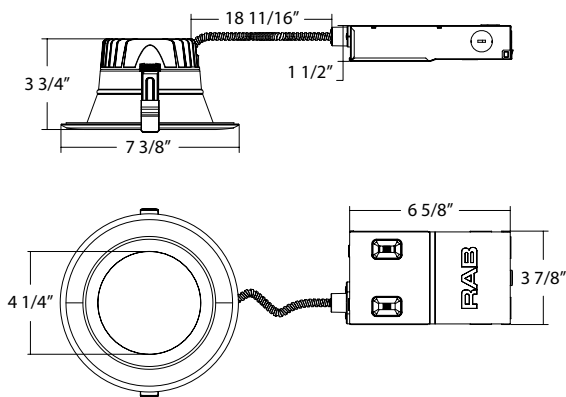
CRX4

Weight: 1.32 lbs



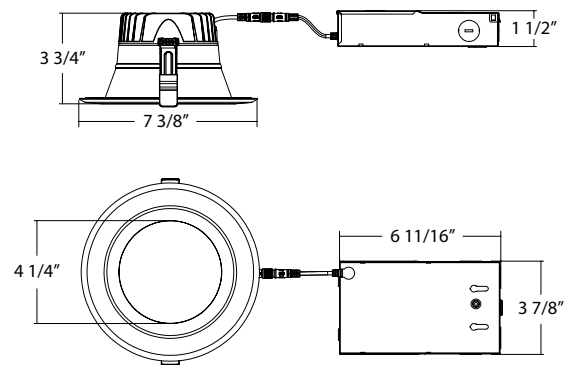
CRX6

Weight: 2.12 lbs



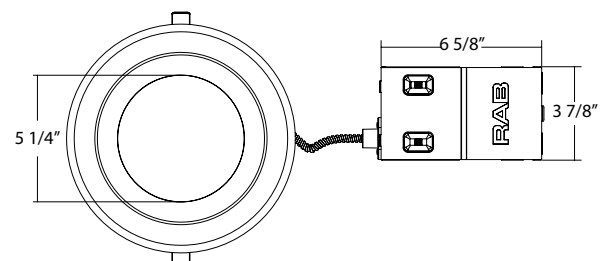
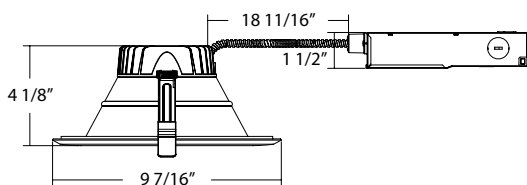
CRX6/D10

Weight: 2.36 lbs



CRX8/D10

Weight: 2.18 lbs



CRX High-Output, Field-Adjustable Downlights



ACCESSORIES

Product Image	Type	Catalog Number	UPC	Description
	Mounting Plates	DLPLATE/WFR4	192552039819	4" WAFER MOUNTING PLATE W/O NAILER BAR
		DLPLATE/WFR6	192552039826	6" WAFER MOUNTING PLATE W/O NAILER BAR
		DLPLATE/WFR3456	192552025584	DL ECO MOUNTING PLATE GREY FOR WAFER 3"/4"5"6"
		DLPLATE/WFR3468/NB	192552000673	MOUNTING PLATE WITH NAILER BAR FOR WAFER 3/4/6/8IN
	Color Trims	DLTRIM/CRLEDFA4R-BS	192552024051	COLOR TRIM FOR CRLEDFA 4" BLACK SMOOTH
		DLTRIM/CRLEDFA4R-BNS	192552024068	COLOR TRIM FOR CRLEDFA 4" BRUSHED NICKEL SMOOTH
		DLTRIM/CRLEDFA4R-BRS	192552024075	COLOR TRIM FOR CRLEDFA 4" BRONZE SMOOTH
		DLTRIM/CRLEDFA6R-BS	192552024082	COLOR TRIM FOR CRLEDFA 6" BLACK SMOOTH
		DLTRIM/CRLEDFA6R-BNS	192552024099	COLOR TRIM FOR CRLEDFA 6" BRUSHED NICKEL SMOOTH
		DLTRIM/CRLEDFA6R-BRS	192552024105	COLOR TRIM FOR CRLEDFA 6" BRONZE SMOOTH
		DLTRIM/CRLEDFA8R-BS	192552024112	COLOR TRIM FOR CRLEDFA 8" BLACK SMOOTH
		DLTRIM/CRLEDFA8R-BNS	192552024129	COLOR TRIM FOR CRLEDFA 8" BRUSHED NICKEL SMOOTH
	Goof Ring	DL4-6GOOF/R/P/CRLEDFA	192552024600	DOWNLIGHT GOOF RING 4"-6" ROUND PLASTIC FOR CRLEDFA
		DL6-8GOOF/R/P/CRLEDFA	192552024617	DOWNLIGHT GOOF RING 6"-8" ROUND PLASTIC FOR CRLEDFA
		DL8-10GOOF/R/P/CRLEDFA	192552024624	DOWNLIGHT GOOF RING 8"-10" ROUND PLASTIC FOR CRLEDFA
		DL8-12GOOF/R/P/CRLEDFA	192552024631	DOWNLIGHT GOOF RING 8"-12" ROUND PLASTIC FOR CRLEDFA

ORDERING INFO

Catalog Number	Certification Model Number	UPC	Case Pack
CRX3	DLC1010(CRX3)	192552037822	0
CRX4	DLC1011(CRX4)	192552037839	0
CRX6	DLC1012(CRX6)	192552037846	0
CRX6/D10	DLC1005(CRX6/D10)	192552031196	0
CRX8/D10	DLC1013(CRX8/D10)	192552037853	0

ORDERING MATRIX

Family	Size/Wattage	Shape	CRI/Color Temp	Voltage/Dimming	Finish	Trim					
CRX											
3	3", 15/12/9W	Blank	Round	Blank	90 CRI; Field-Adjustable 2700/3000/3500/4000/5000K	Blank	120-277V; 0-10V+TRIAC/ELV /D10	Blank	White	Blank	Smooth
4	4", 20/16/12W										
6	6", 50/40/30W										
8*	8", 80/65/50W										

*8" is available only in 120-277V 0-10V dimming model

CRX High-Output, Field-Adjustable Downlights



CRX3
CRX4
CRX6

Visit www.rablighting.com for periodic updates to this list or contact us at 888-722-1000 for questions or comments.

Number	Dimming	Dimmers		Dimmer Compatibility						Dimming Level
		Dimmer Brand	Dimmer Cat NR	1 Lamp	2 Lamp	3 Lamp	4 Lamp	5 Lamp	6 Lamp	
1	0-10V	LEVITON	IP710-LFZ	●	●	●	●	●	●	10-100%
2		LEVITON	DVSTV-WH	●	●	●	●	●	●	
3		COOPER	DF10PC1	●	●	●	●	●	●	
4	TRIAC	LUTRON	MACL-153M	●	●	●	●	●	●	
5		LUTRON	SCL-153P	●	●	●	●	●	●	
6		LEVITON	Cat.NO.6674	●	●	●	●	●	●	
7		LUTRON	DVCL-153P	●	●	●	●	●	●	
8		LEGRAND	RHCL453PTC	●	●	●	●	●	●	
9		LEGRAND	DCL453PTCCCV6	●	●	●	●	●	●	
10		LEGRAND	HCL453PTCCCV6	●	●	●	●	●	●	
11		LUTRON	CTCL-153PDH-WH	●	●	●	●	●	●	
12		LEVITON	R50-IPL06-10M	●	●	●	●	●	●	
13		LUTRON	DVWCL-153PH-WH	●	●	●	●	●	●	
14		RAB	XDIM	●	●	●	●	●	●	

CRX6/D10
CRX8/D10

Number	Dimming	Dimmers		Dimmer Compatibility						Dimming Level
		Dimmer Brand	Dimmer Cat NR	1 Lamp	2 Lamp	3 Lamp	4 Lamp	5 Lamp	6 Lamp	
1	0-10V	LEVITON	IP710-LFZ	●	●	●	●	●	●	10-100%
2		LEVITON	DVSTV-WH	●	●	●	●	●	●	
3		COOPER	DF10PC1	●	●	●	●	●	●	

Comment: 0-10V dimmer is for reference only, product is compatible with all 0-10V dimmers, no need to show in website

● Good dimming Ⓞ Chopping during dimming ○ Flickering during dimming ✗ Not compatible