

INSTRUCTIONS

A22™ FIELD-ADJUSTABLE INSTALLATION



RAB Lighting is committed to creating high-quality, affordable, well-designed and energy-efficient LED lighting and controls that make it easy for electricians to install and end users to save energy. We'd love to hear your comments. Please call the Marketing Department at 888-RAB-1000 or email: marketing@rablighting.com



70 & 100



150 & 200



320

IMPORTANT

READ CAREFULLY BEFORE INSTALLING FIXTURE. RETAIN THESE INSTRUCTIONS FOR FUTURE REFERENCE.

Risk of shock, risk of fire.

RAB fixtures must be wired in accordance with the National Electrical Code and all applicable local codes. Proper grounding is required for safety. THIS PRODUCT MUST BE INSTALLED IN ACCORDANCE WITH THE APPLICABLE INSTALLATION CODE BY A PERSON FAMILIAR WITH THE CONSTRUCTION AND OPERATION OF THE PRODUCT AND THE HAZARDS INVOLVED.

WARNING: Make certain power is OFF before installing or maintaining fixture. No user serviceable parts inside.

CAUTION: For proper weatherproof function all gaskets must be seated properly and all screws inserted and tightened firmly. Apply weatherproof silicone sealant around the edge of the junction box. This is especially important with an uneven surface.

Silicone all plugs and unused conduit entries.

Suitable for Wet locations, down-lighting ONLY.

MIN. 75° Supply Conductors.

Field-Adjustment for Power/CCT settings should be selected before installation. Do not change switch settings with power on.

POLE MOUNT, ADJUSTABLE ARM

1. Place the **Bolster Plate** (*provided*) inside a **Square or Round Pole** as shown in Fig. 1, secure the **Arm** to the pole with (2) **Bolts** to the **Bolster Plate**.
2. Open the **Arm Cover** (*Fig. 2*) and feed the fixture and supply wires into the **Arm Wiring Compartment** to make the wire connections as per wiring diagram (*Fig. 21*). Make appropriate wire connections as per NEC.
3. To adjust fixture angle, loosen the **Locking Bolt** as shown in Fig. 2. Swivel fixture to desired angle and tighten **Locking Bolt**.
4. The graduation of the **Adjustable Arm Cover Plate** can be used for guidelines to adjust the fixture angle (*Fig. 3 and 4*). Maximum tilt is $\pm 60^\circ$.

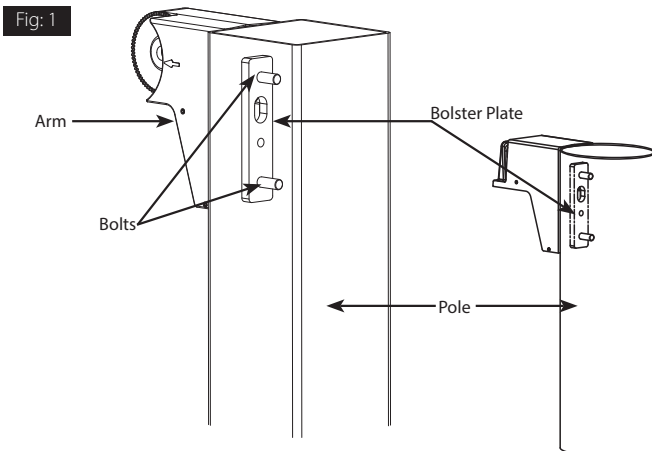


Fig: 2

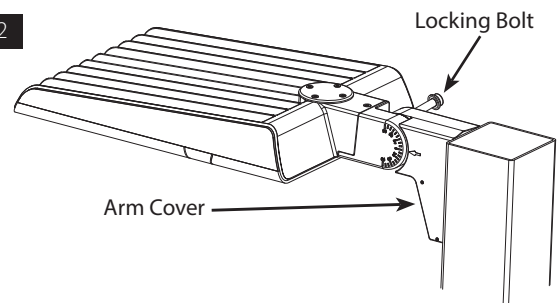


Fig: 3

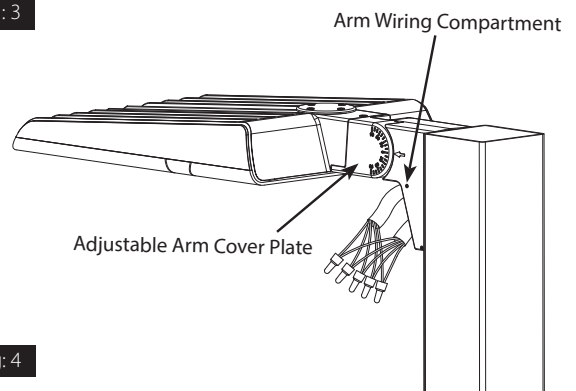
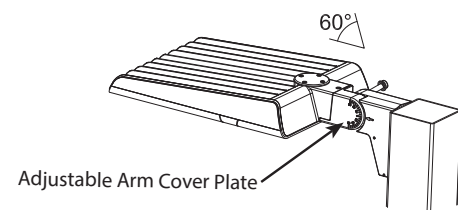


Fig: 4



INSTRUCTIONS

A22™ FIELD-ADJUSTABLE INSTALLATION



RAB Lighting is committed to creating high-quality, affordable, well-designed and energy-efficient LED lighting and controls that make it easy for electricians to install and end users to save energy. We'd love to hear your comments. Please call the Marketing Department at 888-RAB-1000 or email: marketing@rablighting.com

POLE MOUNT, NON-ADJUSTABLE ARM

(Accessory ordered separately - Model # A22PM, A22PMW, A22PMB)

1. Place the **Bolster Plate** (provided) inside a **Square** or **Round Pole** as shown in Fig. 5, secure the **Arm** to the **Pole** with (2) **Bolts** to the **Bolster Plate**.
2. Install the fixture onto the **Arm** and fasten with (1) **Securing Screw** as shown in Fig. 6 and 7.
3. Open the **Arm Cover** (Fig. 8) and feed the fixture and supply wires into the **Arm Wiring Compartment** to make the wire connections as per wiring diagram (Fig. 21). Make appropriate wire connections as per NEC.

Fig: 7

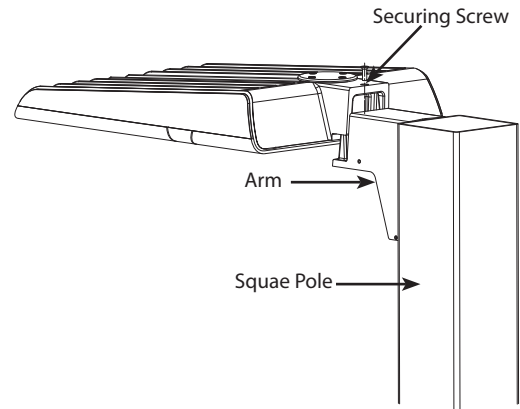


Fig: 8

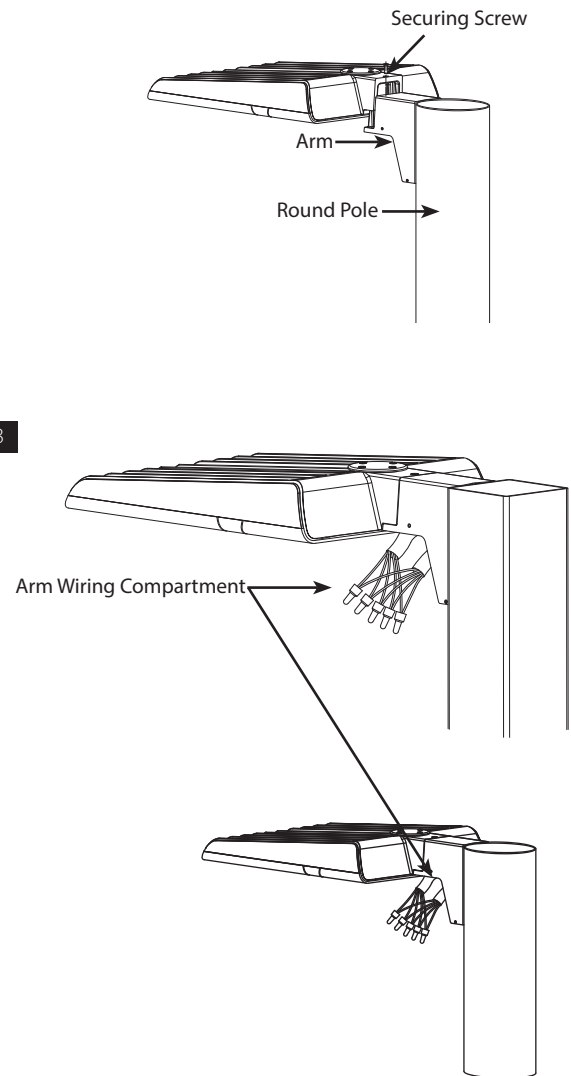


Fig: 5

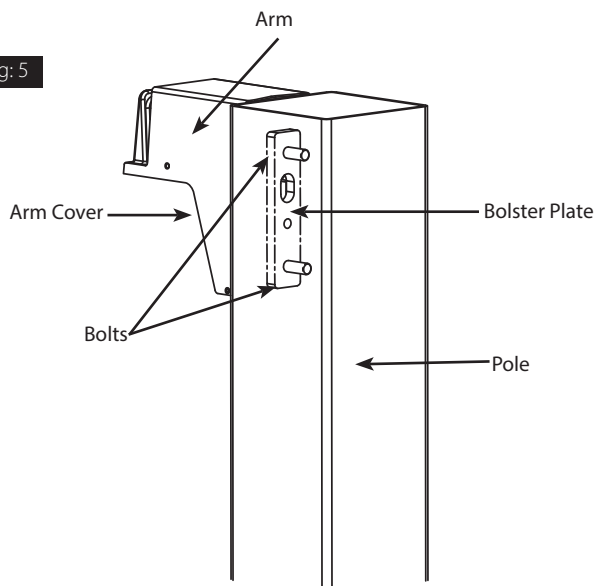
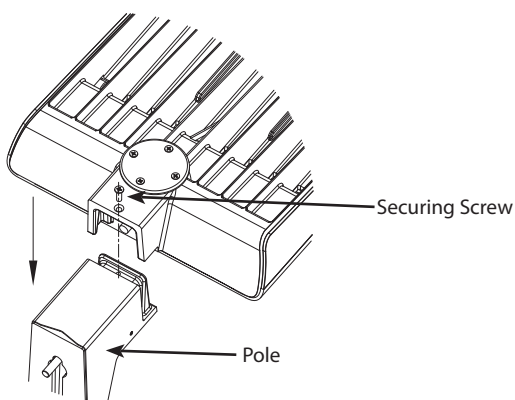


Fig: 6



INSTRUCTIONS

A22™ FIELD-ADJUSTABLE INSTALLATION



RAB Lighting is committed to creating high-quality, affordable, well-designed and energy-efficient LED lighting and controls that make it easy for electricians to install and end users to save energy. We'd love to hear your comments. Please call the Marketing Department at 888-RAB-1000 or email: marketing@rablighting.com

SLIPFITTER MOUNT

(Accessory ordered separately - Model # A22SF, A22SFW, A22SFB)

WARNING: RISK OF SERIOUS INJURY OR DEATH!
DO NOT MOUNT THE SLIPFITTER TO A TENON OR BRACKET THAT IS MORE THAN 20 DEGREES FROM VERTICAL. MOUNTING ANY ANGLE OTHER THAN 0-20 DEGREES INCREASES THE RISK OF DISENGAGEMENT AND/OR FAILURE OF THE SLIPFITTER. INSTALL THE POLE ON A SECURE BASE OR INSTALL THE BRACKET TO A WALL FIRST. THEN PLACE LUMINAIRE ONTO THE POLE OR BRACKET. DO NOT LIFT ASSEMBLED LUMINAIRE OR POLE OR BRACKET. LUMINAIRE OR POLE/BRACKET MAY DISENGAGE.

1. Remove **Adjustable Universal Arm** by removing the fixture **Securing Screw** as shown in Fig. 9.
2. Separate the **Slipfitter** assembly by removing the **Swivel Bolt** as shown in Fig. 10. Install **Securing Screw** and feed wires from fixture through **Slipfitter**. Re-assemble the **Slipfitter** with **Swivel Bolt**.
3. Make the necessary connections as per NEC (Fig. 10 and 21).
4. The **Slipfitter** fits a 2 3/8" O.D. **Tenon**. Place the **Slipfitter** over the **Tenon** and secure the fixture with (4) **Set Screws** on the side of the **Slipfitter** as shown in Fig.11.
5. To adjust fixture angle of the **Slipfitter**, loosen the **Swivel Bolt** and swivel the fixture to the desired angle. The graduation of the **Slipfitter Cover Plate** can be used for guidelines to adjust the angle. Tighten the **Swivel Bolt**.

Fig: 10

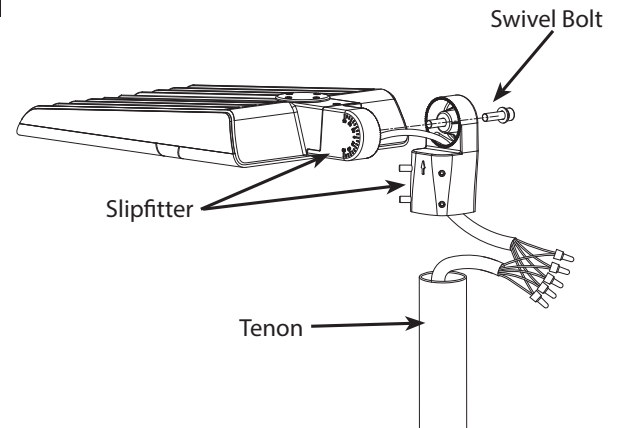


Fig: 11

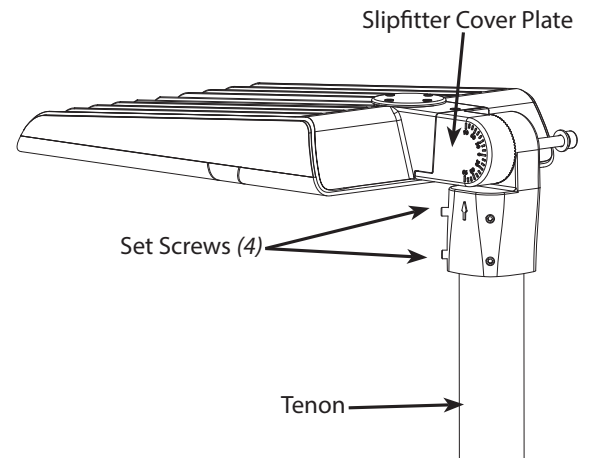
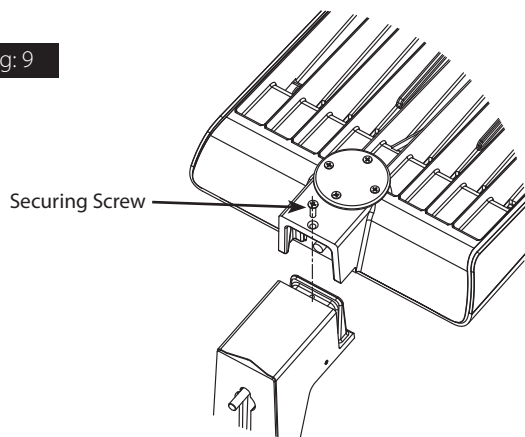


Fig: 9



INSTRUCTIONS

A22™ FIELD-ADJUSTABLE INSTALLATION



RAB Lighting is committed to creating high-quality, affordable, well-designed and energy-efficient LED lighting and controls that make it easy for electricians to install and end users to save energy. We'd love to hear your comments. Please call the Marketing Department at 888-RAB-1000 or email: marketing@rablighting.com

WALL MOUNT

(Accessory ordered separately - Model # A22WM, A22WMW, A22WMB)

1. Remove **Adjustable Universal Arm** by removing the fixture **Securing Screw** as shown in Fig. 12.
2. Separate the **Wall Mount Cover** from the **Wall Mount Box** (Fig. 12).
3. Orient **Wall Mount Box** so that the "UP" Arrow is facing up as shown in Fig. 13.
4. Secure the **Wall Mount Box** to a sturdy surface using appropriate hardware (*by others*).
5. Secure the **Wall Mount Cover** to the fixture with **Securing Screw**.
6. Bring fixture up to the **Wall Mount Box** and slide the **Tether Cable** from inside the **Wall Mount Cover** into the **Keyhole Slot** (Fig. 12 and 13) for hands free wiring.
7. Feed supply wires through **Wall Mount Box** and wire the fixture using suitable wire connectors as per NEC (Fig. 21).
8. Secure the **Wall Mount Box** to the **Wall Mount Cover** using (4) **Set Screws** (*provided*) as shown in Fig. 14.
9. Apply weatherproof silicone sealant around the edge of the mounting box and/or junction box. This is especially important with an uneven surface.

Fig: 12

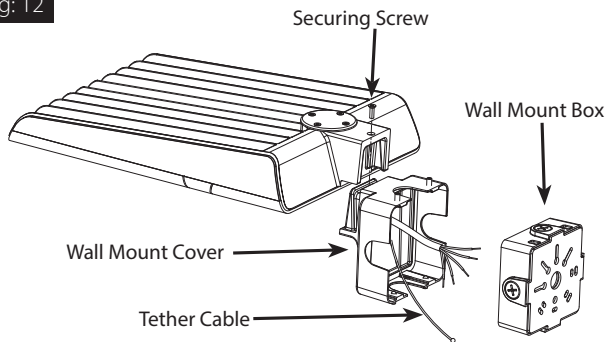


Fig: 13

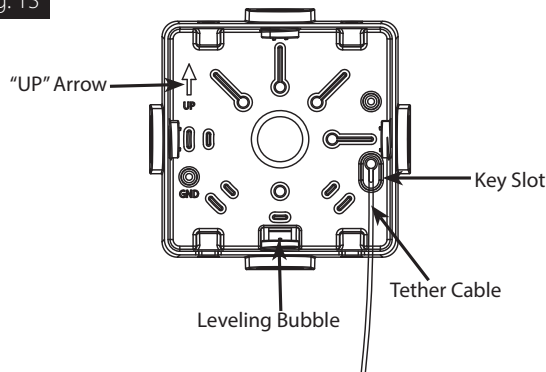
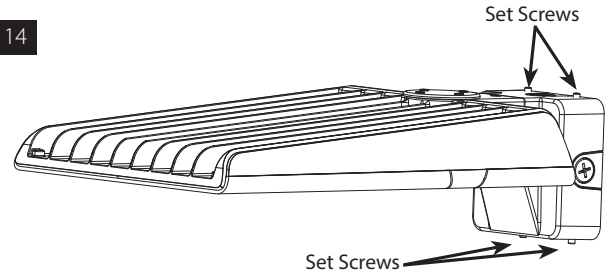


Fig: 14



FIELD ADJUSTMENT (CCT/WATTAGE ADJUSTABLE)

Follow instructions below to change the fixture **Color Temperature (CCT)** and/or **Power (W)** from the factory settings:

Factory Settings:	A22-70	70W	/ 4000K
	A22-100	100W	/ 4000K
	A22-150	150W	/ 4000K
	A22-150X	150W	/ 4000K
	A22-200	200W	/ 4000K
	A22-320	320W	/ 4000K
	A22-320X	320W	/ 4000K

1. Locate the **Selector Switches** on fixture housing as shown in Fig. 15 and remove **Plug**.
2. Select **Color Temperature (CCT)** and/or **Power (W)** by sliding the respective switch to the desired value (Fig. 16).
3. After the switches are positioned to the desired setting replace **Plug**.

Fig: 15

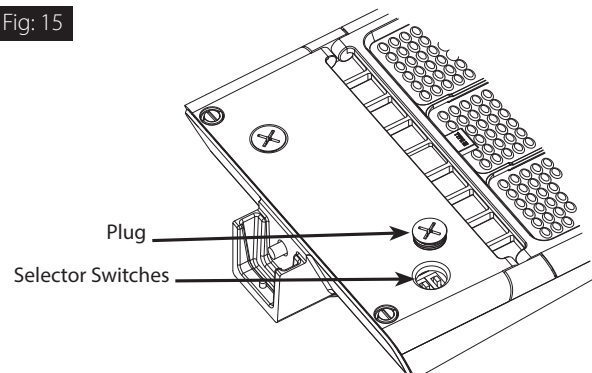
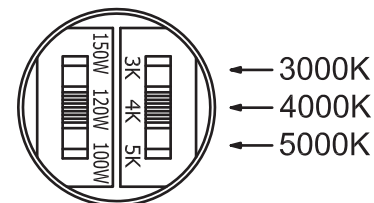


Fig: 16



INSTRUCTIONS

A22™ FIELD-ADJUSTABLE INSTALLATION



RAB Lighting is committed to creating high-quality, affordable, well-designed and energy-efficient LED lighting and controls that make it easy for electricians to install and end users to save energy. We'd love to hear your comments. Please call the Marketing Department at 888-RAB-1000 or email: marketing@rablighting.com

FIELD ADJUSTMENT (STATIC 3000K MODEL ONLY)

Model #'s: A22-70Y, A22-100Y, A22-150Y, A22-200Y, A22-320Y
Follow instructions below to change the fixture **Power (W)** from the factory settings:

Factory Settings:	A22-70Y	70W / 3000K
	A22-100Y	100W / 3000K
	A22-150Y	150W / 3000K
	A22-200Y	200W / 3000K
	A22-320Y	320W / 3000K

1. Locate the **Power (W) Selector Switch** on fixture housing as shown in Fig.17 and remove **Plug**.
2. Select **Power (W)** by sliding the respective switch to the desired value (Fig. 18).
3. After the switch is positioned to the desired setting replace **Plug**.

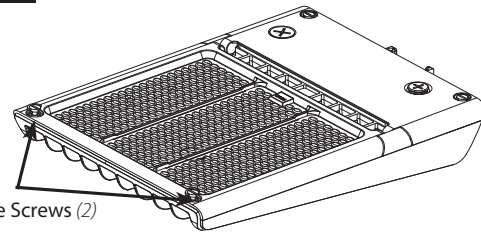
LENS ACCESSORY

LENS accessories are sold separately.

(A22-150X (ONLY) includes TYPE III lens installed, Type IV and Type V lens included with fixture).

1. Loosen **Captive Screws (2)** to open fixture **Door Frame** as shown in Fig.19 and 20, remove pre-installed **Lens** and **Silicone Gasket** (do not discard *Gasket*).
2. Insert new **Lens** and **Silicone Gasket**, ensure that the **Lens** and **Gasket** are positioned correctly. Close fixture **Door Frame** and secure with **Captive Screws**.

Fig: 19



Captive Screws (2)

Fig: 20

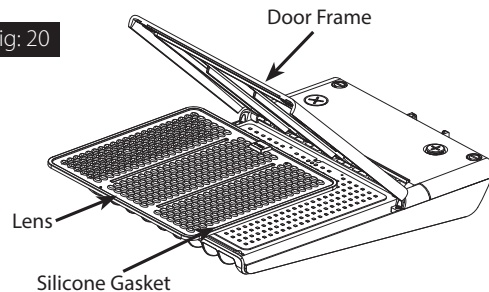
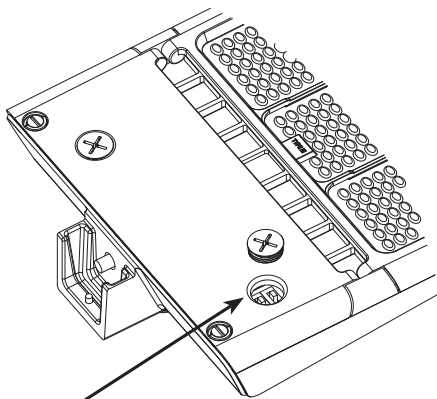
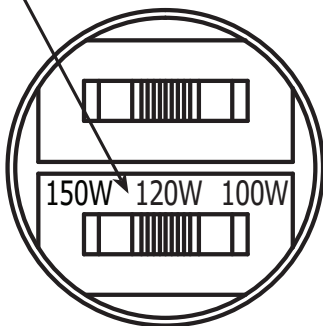


Fig: 17



Power Selector Switch

Fig: 18



INSTRUCTIONS

A22™ FIELD-ADJUSTABLE INSTALLATION



RAB Lighting is committed to creating high-quality, affordable, well-designed and energy-efficient LED lighting and controls that make it easy for electricians to install and end users to save energy. We'd love to hear your comments. Please call the Marketing Department at 888-RAB-1000 or email: marketing@rablighting.com

MVS MODELS

(optional remote sold separately for custom settings, CAT# MSR1).

Factory Settings:

- Brightness: 100%
- Hold Time: 20 Minutes
- Daylight: Disabled
- Sensitivity: 100%
- Stand-by dimming level: 20%
- Stand-by time: 1 Minute

0-10V DIMMABLE WIRING

Universal voltage driver permits operation at 120V through 277V, 50 or 60 Hz. Units ordered with /480 suffix are 480V **ONLY**. For 0-10V dimming follow the wiring directions shown below (Fig. 21).

1. Connect the black fixture lead to the LINE supply lead.
2. Connect the white fixture lead to the COMMON supply lead.
3. Connect the GROUND wire from fixture to supply ground. Do NOT connect the GROUND of the dimming fixture to the output.
4. Connect the purple fixture lead to the (V+) DIM lead.
5. Connect the pink fixture lead to the (V-) DIM lead.
6. Cap the yellow fixture lead, if present. Do NOT connect.

CLEANING & MAINTENANCE

CAUTION: Be sure fixture temperature is cool enough to touch. Do not clean or maintain while fixture is energized.

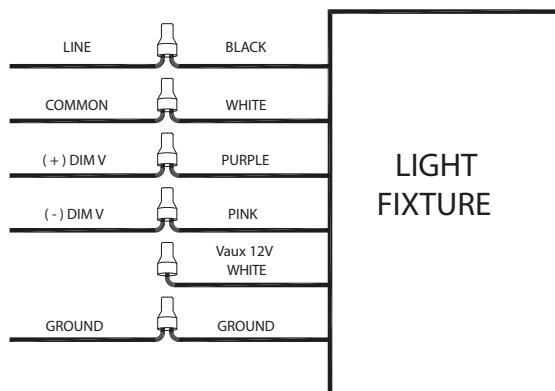
1. Clean lens with non-abrasive glass cleaning solution.
2. Do not open the fixture to clean the LEDs. Do not touch the LEDs.

TROUBLESHOOTING

1. Check that the line voltage at the fixture is correct. Refer to wiring directions.
2. Is the fixture grounded properly?
3. Is the photocell, if used, functioning properly?

Note: These instructions do not cover all details or variations in equipment nor do they provide for every possible situation during installation, operation or maintenance.

Fig: 21



© 2024 RAB LIGHTING inc.

A22 - IN - 1024
P-100733

Easy Answers

rablighting.com
Visit our website for product info

Tech Help Line
Call our experts: 888 722-1000

e-mail
Answered promptly - sales@rablighting.com

Free Lighting Layouts
Answered online or by request

RAB WARRANTY: RAB's warranty is subject to all terms and conditions found at rablighting.com/warranty.