

# A22 Field-Adjustable Area Lights



A22-70 / A22-100



A22-150 / A22-200



A22-150X



A22-320



A22-320X



Area light with field-adjustable CCT, wattages, and interchangeable lenses



0-10V



100,000 HOURS



WET RATED



IP66 RATING



FIELD ADJUSTABLE

PROJECT:

DATE:

TYPE:

PREPARED BY:



\*\* DarkSky Approved static 3000K only

## KEY FEATURES

- Available in three different sizes and seven models with selectable wattages :  
SMALL: **A22-70 (70/60/50W)** and **A22-100 (100/80/60W)**  
MEDIUM: **A22-150 & A22-150X (150/120/100W)** and **A22-200 (200/180/160W)**  
LARGE: **A22-320 & A22-320X(320/280/250W)**
- Selectable CCT: **3000/4000/5000K**.
- Static 3000K for **LUNA & DarkSky** application
- Available in **120-277V** and **480V**
- Interchangeable Lenses**, IES distributions type **II, III, IV** and **V** available
- 7-pin** receptacle and shorting cap standard on all models except A22-150X and A22-320X which have twistlock photocell
- A22-150X** and **A22-320X** come with distribution Type **III** installed and Type **IV** and **V** included
- Universal adjustable pole mount** standard, slipfitter and wall mount accessories offered. **Universal non-adjustable pole mount** available for static 3000K Available in **bronze, white** and **black** finish
- UL listed for **wet location**
- IP66** listed
- 5-Year, limited warranty

## TECHNICAL SPECIFICATIONS

### CONSTRUCTION

#### Cold Weather Starting

Minimum starting temperature is -40°C (-40°F)

#### Maximum Ambient Temperature

Suitable for use in up to 40°C (104°F)

#### Housing

Die-cast aluminum

#### Mounting

Universal adjustable pole mount (standard). Slipfitter and wall mount accessory available. Universal non-adjustable pole mount available for the 3000K.

#### Lens

Polycarbonate

#### Gasket

Silicone Gasket

#### Green Technology

Mercury and UV free. RoHS-compliant components.

#### Finish

Formulated for high durability and long lasting color. Available in bronze, white or black finish.

### CONSTRUCTION

#### IES Classifications

Type II - Ideal for wide walkways, on ramps and entrance roadways, bike paths, and other long/narrow applications. This type is meant for lighting larger areas is usually located near the roadside.

Type III - Ideal for roadway, general parking, and other area lighting applications where a larger pool of lighting is required. It is intended to be located near the side of the area, allowing the light to project outward and fill the area.

Type IV - Also known as "forward throw", it is especially suited for mounting on the sides of buildings and walls, and for illuminating the perimeter of parking areas. It produces a semicircular distribution with essentially the same candlepower at lateral angles from 90° to 270°.

Type V - Produces a wide and uniform 360° pattern that is perfect for large outdoor areas such as parking lots and pathways.

Auto Dealership - Car Dealership optics have a wide distribution with an intentional hot spot that helps to deliver eye-catching light to the front row of cars in a dealership lot while also minimizing "back-spill" (light that is thrown back towards the street).

# A22 Field-Adjustable Area Lights



## TECHNICAL SPECIFICATIONS (CONTINUED)

### CONSTRUCTION

#### EPA

MODEL#	1 FIXTURE	2 FIXTURES	3 FIXTURES	4 FIXTURES
A22-70	0.3	0.7	1.2	1.2
A22-100	0.3	0.7	1.2	1.2
A22-150	0.4	0.8	1.4	1.4
A22-200	0.4	0.8	1.4	1.4
A22-320	0.4	0.8	1.6	1.6

### COMPLIANCE

#### UL Listed

Suitable for wet locations. Suitable for mounting within 4 ft of the ground.

#### IP Listing

Ingress protection rating of IP66 for dust and water

#### DLC Listed

This product is listed by Design Lights Consortium (DLC) as an ultra-efficient premium product that qualifies for the highest tier of rebates from DLC Member Utilities. Designed to meet DLC 5.1 requirements.

MODEL#	PRODUCT ID	MODEL#	PRODUCT ID
A22-70	S-P8P451	A22-70/480	S-C4G4HK
A22-2T70	S-1D5NV5	A22-2T70/480	S-Y6PRT3
A22-4T70	S-M7F5C6	A22-4T70/480	S-WF6XXC
A22-5T70	S-96WNJH	A22-5T70/480	S-1P3NTN
A22-100	S-NSJQHH	A22-100/480	S-8JX8VS
A22-2T100	S-P9K7M1	A22-2T100/480	S-NZX3BD
A22-4T100	S-N4M58S	A22-4T100/480	S-87TK38
A22-5T100	S-TPD4GC	A22-5T100/480	S-BBKKSG
A22-150	S-TJWR13	A22-150/480	S-R85384
A22-2T150	S-XX1NLC	A22-2T150/480	S-YHX835
A22-4T150	S-C5NRQL	A22-4T150/480	S-7ZSPGQ
A22-5T150	S-Q13M99	A22-5T150/480	S-GLRBF3
A22-200	S-GZSNQT	A22-200/480	S-C6FR7J
A22-2T200	S-LW689X	A22-2T200/480	S-YXDM0K
A22-4T200	S-YPVW8H	A22-4T200/480	S-NSRMWV
A22-5T200	S-7BNK9Q	A22-5T200/480	S-8HXDSP
A22-4T320	S-D7RG52	A22-4T320/480	S-39HGKN
A22-2T320	S-JLYTBC	A22-2T320/480	S-VSK81V
A22-320	S-KPNS31	A22-320/480	S-74HJ4W
A22-5T320	S-H8LQVM	A22-5T320/480	S-7NRH57
A22-150X	S-MZV4GY	A22-320X	S-NWDX7Z

#### DLC Listed (3000K)

This product is listed by Design Lights Consortium (DLC) as an ultra-efficient premium product that qualifies for the highest tier of rebates from DLC Member Utilities. Designed to meet DLC 5.1 requirements.

### COMPLIANCE

MODEL#	PRODUCT ID	MODEL#	PRODUCT ID
A22-70Y	S-7RY34Y	A22-70Y/480	S-P3SP27
A22-2T70Y	S-35YGMW	A22-2T70Y/480	S-V517G1
A22-4T70Y	S-M89R65	A22-4T70Y/480	S-LTXY7M
A22-5T70Y	S-CXKYPG	A22-5T70Y/480	S-LLT4Q7
A22-100Y	S-X5DVK1	A22-100Y/480	S-1XQ0F2
A22-2T100Y	S-FNNV69	A22-2T100Y/480	S-D1X7R1
A22-4T100Y	S-W6G8GX	A22-4T100Y/480	S-4S3V29
A22-5T100Y	S-MFN6J1	A22-5T100Y/480	S-142TOP
A22-150Y	S-KMX6HL	A22-150Y/480	S-25X0NC
A22-2T150Y	S-B9PN5H	A22-2T150Y/480	S-16TKR9
A22-4T150Y	S-QP1P58	A22-4T150Y/480	S-2LRGFV
A22-5T150Y	S-DJ12J7	A22-5T150Y/480	S-R9N8Q2
A22-200Y	S-8KNGF0	A22-200Y/480	S-CMHPV3
A22-2T200Y	S-H58M6V	A22-2T200Y/480	S-4LYTGJ
A22-4T200Y	S-559GHB	A22-4T200Y/480	S-223XF5
A22-5T200Y	S-CLH3P5	A22-5T200Y/480	S-8J0N4B
A22-320Y	S-FRC0CX	A22-320Y/480	S-GZW9NB
A22-2T320Y	S-KBXHJW	A22-2T320Y/480	S-0GK57Z
A22-4T320Y	S-J9W1YF	A22-4T320Y/480	S-TCD8KX
A22-5T320Y	S-T58GNF	A22-5T320Y/480	S-XVHYP7

#### DarkSky Approved (3000K)

This product has received the International Dark Sky Association Fixture Seal of Approval for 3000K models.

#### LUNA:

This product has received the Design Lights Consortium's LUNA listing for 3000K models. Designed to meet LUNA 5.1 requirements.

### LED CHARACTERISTICS

#### LEDs

Long-life, high-efficacy, surface-mount LEDs

#### Color Uniformity

RAB's range of Correlated Color Temperature follows the guidelines of the American National Standards for Specifications for the Chromaticity of Solid State Lighting (SLL) Products, ANSI C78.377-2017.

### ELECTRICAL

#### Drivers:

##### A22-70

Constant Current, Class 1, 120-277V, 50/60 Hz

**70W:** 120V: 0.58A, 208V: 0.33A, 240V: 0.29, 277V: 0.25A

**60W:** 120V: 0.50A, 208V: 0.29A, 240V: 0.25, 277V: 0.22A

**50W:** 120V: 0.41A, 208V: 0.24A, 240V: 0.21A, 277V: 0.18A

Constant Current, Class 1, 480V, 50/60 Hz

**70W:** 480V: 0.15A

**60W:** 480V: 0.13A

**50W:** 480V: 0.10A

# A22 Field-Adjustable Area Lights



## TECHNICAL SPECIFICATIONS (CONTINUED)

### ELECTRICAL

#### Drivers:

##### A22 -100

Constant Current, Class 1, 120-277V, 50/60 Hz  
**100W:** 120V: 0.83A, 208V: 0.48A, 240V: 0.42A, 277V: 0.36A  
**80W:** 120V: 0.67A, 208V: 0.38A, 240V: 0.33A, 277V: 0.29A  
**60W:** 120V: 0.5A, 208V: 0.29A, 240V: 0.25A, 277V: 0.22A

Constant Current, Class 1, 480V, 50/60 Hz

**100W:** 480V: 0.21A  
**80W:** 480V: 0.17A  
**60W:** 480V: 0.13A

##### A22 -150

Constant Current, Class 1, 120-277V, 50/60 Hz  
**150W:** 120V: 1.25A, 208V: 0.72A, 240V: 0.63A, 277V: 0.54A  
**120W:** 120V: 1.0A, 208V: 0.58A, 240V: 0.5A, 277V: 0.43A  
**100W:** 120V: 0.83A, 208V: 0.48A, 240V: 0.42A, 277V: 0.36A

Constant Current, Class 1, 480V, 50/60 Hz

**150W:** 480V: 0.32A  
**120W:** 480V: 0.25A  
**100W:** 480V: 0.21A

##### A22 -200

Constant Current, Class 1, 120-277V, 50/60 Hz  
**200W:** 120V: 1.67A, 208V: 0.96A, 240V: 0.83A, 277V: 0.72A  
**180W:** 120V: 1.5A, 208V: 0.87A, 240V: 0.75A, 277V: 0.65A  
**100W:** 120V: 1.33A, 208V: 0.77A, 240V: 0.67A, 277V: 0.58A

Constant Current, Non-Class 1, 480V, 50/60 Hz

**200W:** 480V: 0.42A  
**180W:** 480V: 0.38A  
**100W:** 480V: 0.33A

##### A22-320

Constant Current, Non-Class 1, 120-277V, 50/60 Hz  
**320W:** 120V: 2.66A, 208V: 1.53A, 240V: 1.33A, 277V: 1.15A  
**280W:** 120V: 2.33A, 208V: 1.34A, 240V: 1.16A, 277V: 1.01A  
**250W:** 120V: 2.08A, 208V: 1.2A, 240V: 1.04A, 277V: 0.9A

Constant Current, Non-Class 1, 480V, 50/60 Hz

**320W:** 480V: 0.67A  
**280W:** 480V: 0.58A  
**250W:** 480V: 0.52A

#### Dimming Driver:

Driver includes dimming control wiring for 0-10V dimming systems.  
 Requires separate 0-10V DC dimming circuit. Dims down to 10%.

#### Surge Protection:

6kV

#### THD / POWER FACTOR:

MODEL#	THD			POWER FACTOR		
	120V	277V	480V	120V	277V	480V
A22-2T70	4.4%	7.8%	13.9%	99.7%	94.6%	91.8%
A22-2T100	3.3%	5.8%	13.7%	99.7%	94.5%	93.4%
A22-2T150	4.0%	6.3%	20.3%	99.8%	96.3%	86.9%
A22-2T200	2.5%	4.3%	11.8%	99.9%	96.5%	94.0%
A22-2T320	4.1%	6.6%	12.2%	99.9%	97.8%	95.1%
A22-3T70	4.2%	7.7%	13.9%	99.7%	94.6%	91.8%
A22-3T100	3.3%	5.8%	13.7%	99.7%	94.5%	93.4%
A22-3T150	4.2%	6.6%	20.3%	99.8%	96.3%	86.9%
A22-3T200	2.5%	4.3%	11.8%	99.9%	96.5%	94.0%
A22-3T320	4.0%	6.7%	12.2%	99.9%	97.7%	95.1%

### ELECTRICAL

#### THD / POWER FACTOR:

MODEL#	THD			POWER FACTOR		
	120V	277V	480V	120V	277V	480V
A22-4T70	4.2%	7.8%	13.9%	99.7%	94.6%	91.8%
A22-4T100	3.3%	5.8%	13.7%	99.7%	94.5%	93.4%
A22-4T150	5.2%	6.7%	20.3%	99.8%	96.3%	86.9%
A22-4T200	2.5%	4.3%	11.8%	99.9%	96.5%	94.0%
A22-4T320	4.2%	6.8%	12.2%	99.9%	97.8%	95.1%
A22-5T70	4.2%	7.8%	13.9%	99.7%	94.6%	91.8%
A22-5T100	3.3%	5.8%	13.7%	99.7%	94.5%	93.4%
A22-5T150	4.1%	6.7%	20.3%	99.8%	96.3%	86.9%
A22-5T200	2.5%	4.3%	11.8%	99.9%	96.5%	94.0%
A22-5T320	4.1%	6.8%	12.2%	99.9%	97.8%	95.1%

Note: All values are typical (tolerance +/- 10%)

### LIGHTCLOUD BLUE

#### Lightcloud Blue-enabled

Lightcloud Blue (LCB) is a Bluetooth Mesh wireless lighting control system that allows you to control RAB's various compatible devices. With RAB's patented Rapid Provisioning technology, devices can be quickly and easily commissioned for residential and large commercial applications using the Lightcloud Blue mobile app. Each device in a system can communicate with any other device, eliminating the need for a Gateway or Hub and maximizing the control system's reach.

DLC system - N1XMLOEATBA (Interior); NHCZ2BIA17L (Exterior)

Learn more at [www.lightcloud.com](http://www.lightcloud.com)

### OCCUPANCY SENSOR (ACCESSORIES)

**Sensor Type:** Passive Infrared (PIR) or Microwave (MVS)

**Input Voltage:** 12VDC

**Operating Frequency:** 50/60Hz

**Input Current:** 30mA

**Operating Temperature:** -40°F to 140°F (-20°C to 60°C)

**Max Mounting Height:** 40 ft. (PIR); 50 ft. (MVS)

**Detection Range:** PIR: 40 ft. diameter mounted at 40 ft. (/PIR & /LCBS); MVS: 50 ft. diameter mounted at 50 ft. (/MVS & /LCBS/MVS); PIR20[B]/LCB] and MVS20[B]/LCB] 20 ft. diameter mounted at 9 ft. (sold separately)

**Daylight Sensing:** The sensor will determine to trigger the light(s) on or not based on the daylight threshold level set.

#### Default Settings:

Motion Sensitivity: High  
 Brightness when triggered : 100%  
 Hold time: 1 minute (20 minutes for LCB sensors)  
 Standby to dim: 20%  
 Standby time: 1 minute  
 When vacant: Off

# A22 Field-Adjustable Area Lights



## TECHNICAL SPECIFICATIONS (CONTINUED)

### OTHER

#### Warranty

The RAB 5-year, limited warranty covers light output, driver performance and paint finish. RAB's warranty is subject to all terms and conditions found at [rablighting.com/warranty](http://rablighting.com/warranty).

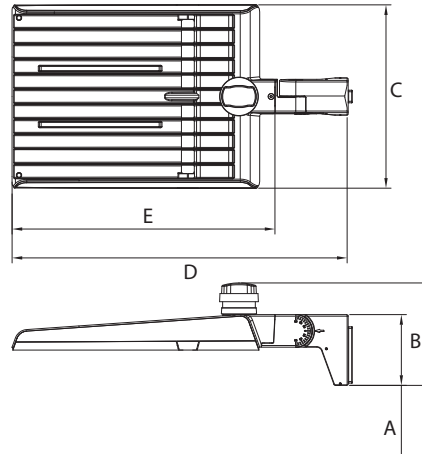
### PERFORMANCE

#### Lifespan

100,000-hour LED lifespan based on IES LM-80 results and -21 calculations

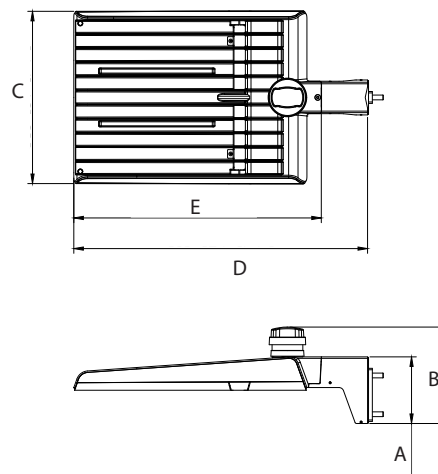
## DIMENSIONS

### A22 Field Adjustable Models



MODEL#	A	B	C	D	E	WEIGHT
A22-70	5 1/2"	8"	9 3/4"	20 1/4"	14 5/8"	6.46 lbs
A22-100	5 1/2"	8"	9 3/4"	20 1/4"	14 5/8"	6.56 lbs
A22-150 & A22-150X	5 1/2"	8"	12"	23"	17 3/8"	8.93 lbs
A22-200	5 1/2"	8"	12"	23"	17 3/8"	9.03 lbs
A22-320 & A22-320X	5 1/2"	8"	14 1/4"	26"	20 3/8"	12.52 lbs

### A22 3000K - LUNA Models



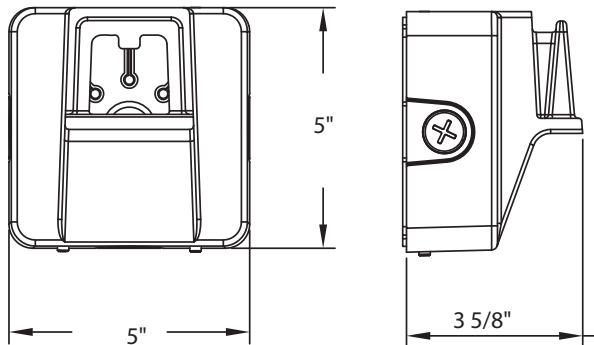
MODEL#	A	B	C	D	E	WEIGHT
A22-70	5 1/2"	8"	9 3/4"	18 1/2"	14 5/8"	6.06 lbs
A22-100	5 1/2"	8"	9 3/4"	18 1/2"	14 5/8"	6.16 lbs
A22-150	5 1/2"	8"	12"	21 1/8"	17 3/8"	8.53 lbs
A22-200	5 1/2"	8"	12"	21 1/8"	17 3/8"	8.63 lbs
A22-320	5 1/2"	8"	14 1/4"	24 1/4"	20 3/8"	12.12 lbs

# A22 Field-Adjustable Area Lights

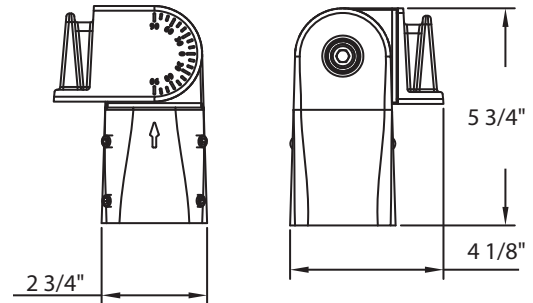


## DIMENSIONS (CONTINUED)

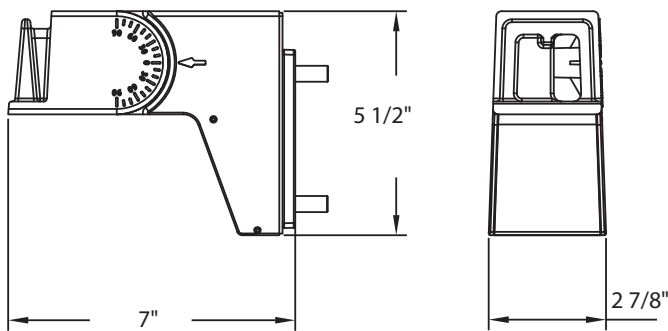
A22 WALL MOUNT



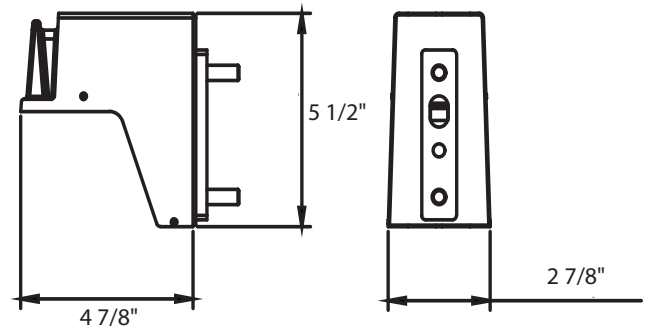
A22 SLIPFITTER MOUNT



A22 UNIVERSAL ADJUSTABLE POLE MOUNT



A22 UNIVERSAL NON-ADJUSTABLE POLE MOUNT




















## ACCESSORIES

IMAGE	SKU#	UPC	DESCRIPTION
	A22-70/100LENS2T	192552034418	TYPE 2 LENS KIT A22-70 AND A22-100
	A22-70/100LENS4T	192552034425	TYPE 4 LENS KIT A22-70 AND A22-100
	A22-70/100LENS5T	192552034432	TYPE 5 LENS KIT A22-70 AND A22-100
	A22-150/200LENS2T	192552034449	TYPE 2 LENS KIT A22-150 AND A22-200
	A22-150/200LENS4T	192552034456	TYPE 2 LENS KIT A22-150 AND A22-200
	A22-150/200LENS5T	192552034463	TYPE 2 LENS KIT A22-150 AND A22-200
	A22-320LENS2T	192552034470	TYPE 2 LENS KIT A22-320

# A22 Field-Adjustable Area Lights












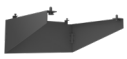
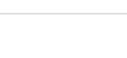




## ACCESSORIES (CONTINUED)

IMAGE	SKU#	UPC	DESCRIPTION
	A22-320LENS4T	192552034487	TYPE 4 LENS KIT A22-320
	A22-320LENS5T	192552034494	TYPE 5 LENS KIT A22-320
	A22SF	192552034357	A22 SLIPFITTER BRONZE
	A22SFW	192552034371	A22 SLIPFITTER WHITE
	A22SFB	192552034364	A22 SLIPFITTER BLACK
	A22WM	192552034388	A22 WALL MOUNT BRONZE
	A22WMW	192552034401	A22 WALL MOUNT WHITE
	A22WMB	192552034395	A22 WALL MOUNT BLACK
	A22PM	192552036566	A22 NON ADJUSTABLE POLE MT KIT BRONZE
	A22PMB	192552036573	A22 NON ADJUSTABLE POLE MT KIT BLACK
	A22PMW	192552036580	A22 NON ADJUSTABLE POLE MT KIT WHITE
	MVS50	192552025997	HIGH CEILING LOW VOLTAGE MVS SENSOR WHITE
	MVS50/LCB	192552014168	LC BLUE HIGH CEILING LOW VOLT LUMINAIRE CONTROLLER W/MVS WHITE
	PIR40	192552026000	HIGH CEILING LOW VOLTAGE PIR SENSOR WHITE
	PIR40/LCB	192552014151	LC BLUE HIGH CEILING LOW VOLT LUMINAIRE CONTROLLER W/PIR WHITE
	MVS20	192552026017	LOW CEILING LOW VOLTAGE MVS SENSOR WHITE
	MVS20/LCB	192552042253	LC BLUE LOW CEILING LOW VOLT LUMINAIRE CONTROLLER WITH MVS WHITE

# A22 Field-Adjustable Area Lights



## ACCESSORIES (CONTINUED)

IMAGE	SKU#	UPC	DESCRIPTION
	PIR20	192552026024	LOW CEILING LOW VOLTAGE PIR SENSOR WHITE
	PIR20/LCB	192552042246	LC BLUE LOW CEILING LOW VOLT LUMINAIRE CONTROLLER WITH PIR WHITE
	LCTWIST/K	019813832111	LC TWISTLOCK PHOTOCELL 120-277V BLACK
	R-3P-PCT	192552004299	RAB 3 PIN TWISTLOCK PHOTOCELL 120-277V
	R-3P-PCT-480V	192552004305	RAB 3 PIN TWISTLOCK PHOTOCELL 480V
	A22-70/100HS	192552040891	A22 70/100W HOUSE SIDE SHIELD BRONZE
	A22-70/100HSB	192552040952	A22 70/100W HOUSE SIDE SHIELD BLACK
	A22-70/100HSW	192552040921	A22 70/100W HOUSE SIDE SHIELD WHITE
	A22-150/200HS	192552040907	A22 150/200W HOUSE SIDE SHIELD BRONZE
	A22-150/200HSB	192552040969	A22 150/200W HOUSE SIDE SHIELD BLACK
	A22-150/200HSW	192552040938	A22 150/200W HOUSE SIDE SHIELD WHITE
	A22-320HS	192552040914	A22 320W HOUSE SIDE SHIELD BRONZE
	A22-320HSB	192552040976	A22 320W HOUSE SIDE SHIELD BLACK
	A22-320HSW	192552040945	A22 320W HOUSE SIDE SHIELD WHITE
	MSR1	192552026055	MULTI SENSOR REMOTE

# A22 Field-Adjustable Area Lights



## PERFORMANCE

### A22, TYPE II, 120-277V

A22-70W, Type II	3000K	4000K	5000K	3000K	4000K	5000K	3000K	4000K	5000K
Wattage	70W			60W			50W		
Input Watts	71.8W	68.7W	72.6W	60.1W	57.8W	60.6W	49.1W	47.4W	49.3W
Lumens	9,888	10,860	10,205	8,625	9,358	8,947	7,270	7,802	7,533
Efficacy	137.7	158.1	140.6	143.5	161.9	147.6	148.1	164.6	152.8
CRI	81	84	83	81	84	83	81	84	83
Voltage Ratings	120-277V								

A22-100W, Type II	3000K	4000K	5000K	3000K	4000K	5000K	3000K	4000K	5000K
Wattage	100W			80W			60W		
Input Watts	100.8W	95.9W	101W	83.1W	79.6W	83.2W	62.1W	59.9W	62.3W
Lumens	13,154	14,572	13,624	11,426	12,470	11,890	9,048	9,694	9,408
Efficacy	130.5	151.9	134.9	137.5	156.7	142.9	145.7	161.8	151
CRI	80	84	83	81	84	83	81	84	83
Voltage Ratings	120-277V								

A22-150W, Type II	3000K	4000K	5000K	3000K	4000K	5000K	3000K	4000K	5000K
Wattage	150W			120W			100W		
Input Watts	151.1W	143.6W	151.4W	121W	115.9W	121.2W	103.2W	99.4W	103.6W
Lumens	20,276	22,428	21,066	17,243	18,788	17,927	15,219	16,453	15,885
Efficacy	134.2	156.2	139.1	142.5	162.1	147.9	147.5	165.5	153.3
CRI	80	84	83	81	84	83	81	84	83
Voltage Ratings	120-277V								

A22-200W, Type II	3000K	4000K	5000K	3000K	4000K	5000K	3000K	4000K	5000K
Wattage	200W			180W			160W		
Input Watts	200.1W	190W	200.5W	18/3.3W	174.4W	183.5W	162.1W	155.1W	162.3W
Lumens	25,503	28,301	26,415	23,845	26,379	24,847	21,834	23,925	22,746
Efficacy	127.5	149	131.7	130.1	151.3	135.4	134.7	154.3	140.1
CRI	80	84	83	80	84	84	81	84	84
Voltage Ratings	120-277V								

A22-320W, Type II	3000K	4000K	5000K	3000K	4000K	5000K	3000K	4000K	5000K
Wattage	320W			280W			250W		
Input Watts	321.8W	304.4W	323.1W	290.6W	276.1W	292W	257.2W	245.5W	258.6W
Lumens	41,083	45,763	42,438	38,300	42,317	39,728	35,143	38,457	36,550
Efficacy	127.7	150	131.3	131.8	153.3	136.1	136.6	156.6	141.3
CRI	80	84	83	80	84	84	80	84	84
Voltage Ratings	120-277V								



# A22 Field-Adjustable Area Lights



## PERFORMANCE

### A22, TYPE II, 480V

A22-70W, TYPE II	3000K	4000K	5000K	3000K	4000K	5000K	3000K	4000K	5000K
Wattage	70W			60W			50W		
Input Watts	71W	68W	71.2W	61.8W	59.5W	61.9W	51.1W	49.5W	51.2W
Lumens	9,771	10,747	10,165	8,710	9,487	9,114	7,396	7,954	7,700
Efficacy	137.6	158	142.8	140.9	159.4	147.2	144.7	160.7	150.4
CRI	81	84	83	81	84	83	83	84	83
Voltage Ratings	480V								

A22-100W, TYPE II	3000K	4000K	5000K	3000K	4000K	5000K	3000K	4000K	5000K
Wattage	100W			80W			60W		
Input Watts	99.3W	94.9W	99.8W	85.7W	82.2W	86W	63.8W	61.7W	63.9W
Lumens	13,045	14,503	13,586	11,628	12,767	12,175	9,075	9,757	9,467
Efficacy	131.4	152.8	136.1	135.7	155.3	141.6	142.2	158.1	148.2
CRI	80	84	83	81	84	83	81	84	83
Voltage Ratings	480V								

A22-150W, TYPE II	3000K	4000K	5000K	3000K	4000K	5000K	3000K	4000K	5000K
Wattage	150W			120W			100W		
Input Watts	144.9W	138.3W	145.2W	120W	115.3W	120.4W	104.4W	100.6W	104.5W
Lumens	20,048	22,033	20,756	17,224	18,763	17,934	15,328	16,563	15,964
Efficacy	138.4	159.3	142.9	143.5	162.7	149	146.8	164.6	152.8
CRI	80	84	83	81	84	83	81	84	83
Voltage Ratings	480V								

A22-200W, TYPE II	3000K	4000K	5000K	3000K	4000K	5000K	3000K	4000K	5000K
Wattage	200W			180W			160W		
Input Watts	200.2W	190.3W	200.8W	186.4W	177.7W	187W	168.2W	160.8W	168.6W
Lumens	25,897	28,908	27,033	24,487	27,286	25,681	22,704	25,066	23,864
Efficacy	129.4	151.9	134.6	131.4	153.6	137.3	135	155.9	141.5
CRI	80	84	83	80	84	84	81	84	83
Voltage Ratings	480V								

A22-320W, TYPE II	3000K	4000K	5000K	3000K	4000K	5000K	3000K	4000K	5000K
Wattage	320W			280W			250W		
Input Watts	302.1W	286.8W	303.4W	279.6W	266.3W	281W	250.6W	239.8W	251.8W
Lumens	40,867	45,747	42,395	38,787	43,075	40,315	35,865	39,439	37,338
Efficacy	135.3	159.5	139.7	138.7	161.8	143.5	143.1	164.5	148.3
CRI	80	84	84	80	84	84	80	84	84
Voltage Ratings	480V								

# A22 Field-Adjustable Area Lights



## PERFORMANCE

### A22, TYPE III, 120-277V

A22-70W, Type III	3000K	4000K	5000K	3000K	4000K	5000K	3000K	4000K	5000K
Wattage	70W			60W			50W		
Input Watts	71.8W	68.7W	72.6W	60.1W	57.8W	60.6W	49.1W	47.4W	49.3W
Lumens	9,876	10,834	10,185	8,602	9,330	8,871	7,250	7,788	7,517
Efficacy	137.5	157.7	140.3	143.1	161.4	146.4	147.7	164.3	152.3
CRI	81	84	83	81	84	83	81	84	83
Voltage Ratings	120-277V								

A22-100W, Type III	3000K	4000K	5000K	3000K	4000K	5000K	3000K	4000K	5000K
Wattage	100W			80W			60W		
Input Watts	100.8W	95.9W	101W	83.1W	79.6W	83.2W	62.1W	59.9W	62.3W
Lumens	13,138	14,537	13,597	11,396	12,433	11,789	9,023	9,676	9,388
Efficacy	130.3	151.6	134.6	137.1	156.2	141.7	145.	161.5	150.7
CRI	80	84	83	81	84	83	81	84	83
Voltage Ratings	120-277V								

A22-150W, Type III	3000K	4000K	5000K	3000K	4000K	5000K	3000K	4000K	5000K
Wattage	150W			120W			100W		
Input Watts	151.1W	143.6W	136.9W	121W	115.9W	121.2W	103.2W	99.4W	103.6W
Lumens	20,005	22,117	20,731	17,005	18,507	17,645	15,009	16,214	15,363
Efficacy	132.4	154	136.9	140.5	159.7	145.6	145.4	163.1	150.9
CRI	80	84	83	81	84	83	81	84	83
Voltage Ratings	120-277V								

A22-200W, Type III	3000K	4000K	5000K	3000K	4000K	5000K	3000K	4000K	5000K
Wattage	200W			180W			160W		
Input Watts	200.1W	190W	200.5W	183.3W	174.4W	183.5W	162.1W	155.1W	162.3W
Lumens	25,164	27,908	25,995	23,516	25,984	24,457	21,533	23,578	22,389
Efficacy	125.8	146.9	129.7	128.3	149	133.3	132.8	152	137.9
CRI	80	84	84	80	84	84	81	84	84
Voltage Ratings	120-277V								

A22-320W, Type III	3000K	4000K	5000K	3000K	4000K	5000K	3000K	4000K	5000K
Wattage	320W			280W			250W		
Input Watts	321.8W	304.3W	323.1W	290.5W	276W	291.8W	257.2W	245.5W	258.6W
Lumens	40,516	44,898	41,753	37,627	41,461	39,871	34,478	37,673	35,817
Efficacy	125.9	147.5	129.2	129.5	150.2	133.6	134.1	153.5	138.5
CRI	80	84	84	80	84	84	80	84	84
Voltage Ratings	120-277V								

# A22 Field-Adjustable Area Lights



## PERFORMANCE

### A22, TYPE III, 480V

A22-70W, TYPE III	3000K	4000K	5000K	3000K	4000K	5000K	3000K	4000K	5000K
Wattage	70W			60W			50W		
Input Watts	71W	68W	71.2W	61.8W	59.5W	61.9W	51.1W	49.5W	51.2W
Lumens	9,759	10,722	10,147	8,687	9,458	9,037	7,375	7,939	7,684
Efficacy	137.5	157.7	142.5	140.6	159	146	144.3	160.4	150.1
CRI	81	84	83	81	84	83	83	84	83
Voltage Ratings	480V								

A22-100W, TYPE III	3000K	4000K	5000K	3000K	4000K	5000K	3000K	4000K	5000K
Wattage	100W			80W			60W		
Input Watts	99.3W	94.9W	99.8W	85.7W	82.2W	86W	18.26W	18.75W	18.46W
Lumens	13,029	14,468	13,559	11,597	12,729	12,079	9,050	9,740	9,447
Efficacy	131.2	152.5W	135.9W	135.3W	154W	140.4W	141.8W	157.9W	147.8W
CRI	80	84	83	81	84	83	81	84	83
Voltage Ratings	480V								

A22-150W, TYPE III	3000K	4000K	5000K	3000K	4000K	5000K	3000K	4000K	5000K
Wattage	150W			120W			100W		
Input Watts	144.9W	138.3W	145.2W	120W	115.3W	120.4W	104.4W	100.6W	104.5W
Lumens	19,781	21,728	20,426	16,986	18,483	17,652	15,116	16,323	15,713
Efficacy	136.5	157.1	140.7	141.6	160.3	146.6	144.8	162.3	150.4
CRI	80	84	83	81	84	83	81	84	83
Voltage Ratings	480V								

A22-200W, TYPE III	3000K	4000K	5000K	3000K	4000K	5000K	3000K	4000K	5000K
Wattage	200W			180W			160W		
Input Watts	200.2W	190.3W	200.8W	186.4W	177.7W	187W	168.2W	160.8W	168.6W
Lumens	25,551	28,507	26,603	24,149	26,878	25,277	22,391	24,702	23,490
Efficacy	127.6	149.8	132.5	129.6	151.3	135.2	133.1	153.6	139.3
CRI	80	84	83	80	84	84	81	84	83
Voltage Ratings	480V								

A22-320W, TYPE III	3000K	4000K	5000K	3000K	4000K	5000K	3000K	4000K	5000K
Wattage	320W			280W			250W		
Input Watts	302.1W	286.8W	303.4W	279.6W	266.43W	281W	250.6W	239.8W	251.8W
Lumens	40,303	44,883	41,711	38,105	42,204	40,460	35,187	38,635	36,589
Efficacy	133.4	156.5	137.5	136.3	158.5	144	140.4	161.1	145.3
CRI	80	84	84	80	84	84	80	84	84
Voltage Ratings	480V								

# A22 Field-Adjustable Area Lights



## PERFORMANCE

### A22, TYPE IV, 120-277V

A22-70W, Type IV	3000K	4000K	5000K	3000K	4000K	5000K	3000K	4000K	5000K
Wattage	70W			60W			50W		
Input Watts	71.8W	68.7W	72.6W	60.1W	57.8W	60.6W	49.1W	47.4W	49.3W
Lumens	9,770	10,708	10,063	8,519	9,238	8,790	7,182	7,713	7,443
Efficacy	136.1	155.9	138.6	141.7	159.8	145	146.3	162.7	151
CRI	81	84	83	81	84	83	81	84	83
Voltage Ratings	120-277V								

A22-100W, Type IV	3000K	4000K	5000K	3000K	4000K	5000K	3000K	4000K	5000K
Wattage	100W			80W			60W		
Input Watts	100.8W	95.9W	101W	83.1W	79.6W	83.2W	62.1W	59.9W	62.3W
Lumens	12,997	14,368	13,434	11,286	12,310	11,681	8,938	9,583	9,296
Efficacy	128.9	149.8	133	135.8	154.6	140.4	143.9	160	149.2
CRI	80	84	83	81	84	83	81	84	83
Voltage Ratings	120-277V								

A22-150W, Type IV	3000K	4000K	5000K	3000K	4000K	5000K	3000K	4000K	5000K
Wattage	150W			120W			100W		
Input Watts	151.1W	143.6W	151.4W	121W	115.9W	121.2W	103.2W	99.4W	103.6W
Lumens	19,694	21,764	20,389	16,802	18,256	17,361	14,820	15,979	15,364
Efficacy	130.3	151.6	134.7	138.9	157.5	143.2	143.6	160.8	148.3
CRI	81	84	83	81	84	83	81	84	83
Voltage Ratings	120-277V								

A22-200W, Type IV	3000K	4000K	5000K	3000K	4000K	5000K	3000K	4000K	5000K
Wattage	200W			180W			160W		
Input Watts	200.1W	190W	200.5W	183.3W	174.4W	183.5W	162.1W	155.1W	162.3W
Lumens	24,773	27,463	25,566	23,235	25,632	24,063	21,262	23,236	22,000
Efficacy	123.8	144.5	127.5	126.8	147	131.1	131.2	149.8	135.6
CRI	80	84	84	80	84	84	81	84	84
Voltage Ratings	120-277V								

A22-320W, Type IV	3000K	4000K	5000K	3000K	4000K	5000K	3000K	4000K	5000K
Wattage	320W			280W			250W		
Input Watts	321.6W	304.3W	232.2W	290.4W	276W	291.8W	257W	245.4W	258.5W
Lumens	39,603	43,975	40,913	36,803	40,617	38,180	33,720	36,868	35,036
Efficacy	123.1	144.5	126.6	126.7	147.2	130.8	131.2	150.2	135.5
CRI	80	84	84	80	84	84	81	84	84
Voltage Ratings	120-277V								

# A22 Field-Adjustable Area Lights



## PERFORMANCE

### A22, TYPE IV, 480V

A22-70W, TYPE IV	3000K	4000K	5000K	3000K	4000K	5000K	3000K	4000K	5000K
Wattage	70W			60W			50W		
Input Watts	71W	68W	71.2W	61.8W	59.5W	61.9W	51.1W	49.5W	51.2W
Lumens	9,654	10,597	10,025	8,603	9,365	8,954	7,306	7,863	7,608
Efficacy	136	155.8	140.8	139.2	157.4	144.7	143	158.8	148.6
CRI	81	84	83	81	84	83	83	84	83
Voltage Ratings	480V								

A22-100W, TYPE IV	3000K	4000K	5000K	3000K	4000K	5000K	3000K	4000K	5000K
Wattage	100W			80W			60W		
Input Watts	99.3W	94.9W	99.8W	85.7W	82.2W	86W	63.8W	61.7W	63.9W
Lumens	12,889	14,300	13,392	11,486	12,603	11,961	8,965	9,646	9,354
Efficacy	129.8	150.7	134.2	134	153.3	139.1	140.5	156.3	146.4
CRI	80	84	83	81	84	83	81	84	83
Voltage Ratings	480V								

A22-150W, TYPE IV	3000K	4000K	5000K	3000K	4000K	5000K	3000K	4000K	5000K
Wattage	150W			120W			100W		
Input Watts	144.9W	158.3W	145.2W	120W	115.3W	120.4W	104.4W	100.6W	104.5W
Lumens	19,473	21,381	20,089	16,783	18,232	17,368	14,926	16,086	15,440
Efficacy	134.4	154.6	138.4	139.9	158.1	144.3	143	159.9	147.8
CRI	80	84	83	81	84	83	81	84	83
Voltage Ratings	480V								

A22-200W, TYPE IV	3000K	4000K	5000K	3000K	4000K	5000K	3000K	4000K	5000K
Wattage	200W			180W			160W		
Input Watts	200.2W	190.3W	200.8W	186.4W	177.7W	187W	168.2W	160.8W	168.6W
Lumens	25,154	28,052	26,164	23,861	26,513	24,870	22,109	24,344	23,081
Efficacy	125.6	147.4	130.3	128	149.2	133	131.4	151.4	136.9
CRI	80	84	83	80	84	84	81	84	83
Voltage Ratings	480V								

A22-320W, TYPE IV	3000K	4000K	5000K	3000K	4000K	5000K	3000K	4000K	5000K
Wattage	320W			280W			250W		
Input Watts	302.1W	286.8W	303.4W	279.6W	266.3W	281W	250.6W	239.8W	251.8W
Lumens	39,395	43,960	40,872	37,271	41,345	38,744	34,413	37,809	35,791
Efficacy	130.4	153.3	134.7	133.3	155.3	137.9	137.3	157.7	142.1
CRI	80	84	84	80	84	84	80	84	84
Voltage Ratings	480V								

# A22 Field-Adjustable Area Lights



## PERFORMANCE

### A22, TYPE V, 120-277V

A22-70W, Type V	3000K	4000K	5000K	3000K	4000K	5000K	3000K	4000K	5000K
Wattage	70W			60W			50W		
Input Watts	71.8W	68.7W	72.6W	60.1W	57.8W	60.6W	49.1W	47.4W	49.3W
Lumens	10,060	11,041	10,442	8,768	9,516	9,047	7,396	7,939	7,652
Efficacy	140.1	1600.7	143.8	145.9	164.6	149.3	150.6	167.5	155.2
CRI	81	84	83	81	84	83	81	84	83
Voltage Ratings	120-277V								

A22-100W, Type V	3000K	4000K	5000K	3000K	4000K	5000K	3000K	4000K	5000K
Wattage	100W			80W			60W		
Input Watts	100.8W	95.9W	101W	83.1W	79.6W	83.2W	62.1W	59.9W	62.3W
Lumens	13,383	14,815	13,940	11,616	12,680	12,023	9,204	9,864	9,557
Efficacy	132.8	154.5	138	139.8	159.3	144.5	148.2	164.7	153.4
CRI	80	84	83	81	84	83	81	84	83
Voltage Ratings	120-277V								

A22-150W, Type V	3000K	4000K	5000K	3000K	4000K	5000K	3000K	4000K	5000K
Wattage	150W			120W			100W		
Input Watts	151.1W	143.6W	151.4W	121W	115.9W	121.2W	103.2W	99.4W	103.6W
Lumens	20,500	22,677	21,286	17,433	18,993	18,127	15,342	16,606	16,016
Efficacy	135.7	157.9	140.6	144.1	163.9	149.6	148.7	167.1	154.6
CRI	80	84	83	81	84	83	81	84	83
Voltage Ratings	120-277V								

A22-200W, Type V	3000K	4000K	5000K	3000K	4000K	5000K	3000K	4000K	5000K
Wattage	200W			180W			160W		
Input Watts	200.1W	190W	200.5W	183.3W	174.4W	183.5W	162.1W	155.1W	162.3W
Lumens	25,787	28,615	26,691	24,108	26,667	25,125	22,011	24,148	22,934
Efficacy	128.9	150.6	133.1	131.5	152.9	136.9	135.8	155.7	141.3
CRI	80	84	84	80	84	84	81	84	84
Voltage Ratings	120-277V								

A22-320W, Type V	3000K	4000K	5000K	3000K	4000K	5000K	3000K	4000K	5000K
Wattage	320W			280W			250W		
Input Watts	321.9W	304.5W	323.4W	290.6W	276.1W	292W	257.3W	245.5W	258.6W
Lumens	41,399	45,974	42,758	38,550	42,585	39,977	35,350	38,710	36,793
Efficacy	128.6	151	132.2	132.7	154.2	136.9	137.4	157.7	142.3
CRI	80	84	84	80	84	84	80	84	84
Voltage Ratings	120-277V								

# A22 Field-Adjustable Area Lights



## PERFORMANCE

### A22, TYPE V, 480V

A22-70W, TYPE V	3000K	4000K	5000K	3000K	4000K	5000K	3000K	4000K	5000K
Wattage	70W			60W			50W		
Input Watts	71W	68W	71.2W	61.8W	59.5W	61.9W	51.1W	49.5W	51.2W
Lumens	9,941	10,927	10,403	8,854	9,647	9,216	7,524	8,093	7,822
Efficacy	140	160.7	146.1	143.3	162.1	148.9	147.2	163.5	152.8
CRI	81	84	83	81	84	83	83	84	83
Voltage Ratings	480V								

A22-100W, TYPE V	3000K	4000K	5000K	3000K	4000K	5000K	3000K	4000K	5000K
Wattage	100W			80W			60W		
Input Watts	99.3W	94.9W	99.8W	85.7W	82.2W	86W	63.8W	61.7W	63.9W
Lumens	13,272	14,745	13,902	11,821	12,982	12,311	9,232	9,929	9,617
Efficacy	133.7	155.4	139.3	137.9	157.9	143.2	144.7	160.9	150.5
CRI	80	84	83	81	84	83	81	84	83
Voltage Ratings	480V								

A22-150W, TYPE V	3000K	4000K	5000K	3000K	4000K	5000K	3000K	4000K	5000K
Wattage	150W			120W			100W		
Input Watts	144.9W	138.3W	145.2W	120W	115.3W	120.4W	104.4W	100.6W	104.5W
Lumens	20,270	22,278	20,973	17,413	18,968	18,134	15,452	16,717	16,095
Efficacy	139.9	161.1	144.4	145.1	164.5	150.6	148	166.2	154
CRI	80	84	83	81	84	83	81	84	83
Voltage Ratings	480V								

A22-200W, TYPE V	3000K	4000K	5000K	3000K	4000K	5000K	3000K	4000K	5000K
Wattage	200W			180W			160W		
Input Watts	200.2W	190.3W	200.8W	186.4W	177.7W	187W	168.2W	160.8W	168.6W
Lumens	26,183	29,229	27,315	24,757	27,583	25,967	22,888	25,299	24,060
Efficacy	130.8	153.6	136	132.8	155.2	138.9	136.1	157.3	142.7
CRI	80	84	83	80	84	84	81	84	83
Voltage Ratings	480V								

A22-320W, TYPE V	3000K	4000K	5000K	3000K	4000K	5000K	3000K	4000K	5000K
Wattage	320W			280W			250W		
Input Watts	302.1W	286.8W	303.4	279.6W	266.3W	281W	250.6W	239.8W	251.8W
Lumens	41,182	45,958	42,715	39,040	43,348	40,568	36,076	39,698	37,586
Efficacy	136.3	160.2	140.8	139.6	162.8	144.4	144	165.5	149.3
CRI	80	84	84	80	84	84	80	84	84
Voltage Ratings	480V								

# A22 Field-Adjustable Area Lights



## PERFORMANCE

### A22 3000K Luna & Dark Sky Application

A22-70W, TYPE II	3000K			3000K (With Shield)		
Wattage	70W	60W	50W	70W	60W	50W
Input Watts	66.8W	57.7W	47.2W	66.8W	57.7W	47.2W
Lumens	11,181	9,794	8,104	8,847	7,750	6,412
Efficacy	167.4	169.7	171.7	132.4	134.3	135.8
CRI	83	83	83	83	83	83
Voltage Ratings	120-277V					

A22-70W, TYPE II	3000K			3000K (With Shield)		
Wattage	70W	60W	50W	70W	60W	50W
Input Watts	66.6W	58.8W	49.3W	66.6W	58.8W	49.3W
Lumens	10,942	9,716	8,205	8,652	7,683	6,488
Efficacy	164.3	165.2	166.4	129.9	130.7	131.6
CRI	83	83	83	83	83	83
Voltage Ratings	480V					

A22-70W, TYPE III	3000K			3000K (With Shield)		
Wattage	70W	60W	50W	70W	60W	50W
Input Watts	66.8W	57.7W	47.2W	66.8W	57.7W	47.2W
Lumens	11,004	9,637	7,975	8,701	7,620	6,306
Efficacy	164.7	167	169	130.3	132.1	133.6
CRI	83	83	83	83	83	83
Voltage Ratings	120-277V					

A22-70W, TYPE III	3000K			3000K (With Shield)		
Wattage	70W	60W	50W	70W	60W	50W
Input Watts	66.6W	58.8W	49.3W	66.6W	58.8W	49.3W
Lumens	10,825	9,614	8,118	8,546	7,590	6,409
Efficacy	162.5	163.5	164.7	128.3	129.1	130
CRI	83	83	83	83	83	83
Voltage Ratings	480V					

A22-70W, TYPE IV	3000K			3000K (With Shield)		
Wattage	70W	60W	50W	70W	60W	50W
Input Watts	66.8W	57.7W	47.2W	66.8W	57.7W	47.2W
Lumens	10,863	9,542	7,885	8,487	7,455	6,160
Efficacy	162.6	165.4	167.1	127.1	129.2	130.5
CRI	83	83	83	83	83	83
Voltage Ratings	120-277V					

A22-70W, TYPE IV	3000K			3000K (With Shield)		
Wattage	70W	60W	50W	70W	60W	50W
Input Watts	66.6W	58.8W	49.3W	66.6W	58.8W	49.3W
Lumens	10,664	9,464	7,986	8,341	7,402	6,246
Efficacy	160.1	161	162	125.2	125.9	126.7
CRI	83	83	83	83	83	83
Voltage Ratings	480V					

A22-70W, TYPE V	3000K			3000K (With Shield)		
Wattage	70W	60W	50W	70W	60W	50W
Input Watts	66.8W	57.7W	47.2W	66.8W	57.7W	47.2W
Lumens	11,234	9,857	8,135	7,314	6,417	5,296
Efficacy	168.2	170.8	172.4	109.5	111.2	112.2
CRI	83	83	83	83	83	83
Voltage Ratings	120-277V					

A22-70W, TYPE V	3000K			3000K (With Shield)		
Wattage	70W	60W	50W	70W	60W	50W
Input Watts	66.6W	58.8W	49.3W	66.6W	58.8W	49.3W
Lumens	11,236	9,978	8,424	7,345	6,523	5,507
Efficacy	168.7	169.7	170.9	110.3	110.9	111.7
CRI	83	83	83	83	83	83
Voltage Ratings	480V					



# A22 Field-Adjustable Area Lights



## PERFORMANCE

### A22 3000K Luna & Dark Sky Application

A22-100W, TYPE II	3000K			3000K (With Shield)		
Wattage	100W	80W	60W	100W	80W	60W
Input Watts	94.7W	77.1W	58.0W	94.7W	77.1W	58.0W
Lumens	14,440	12,114	9,336	11,350	9,522	7,338
Efficacy	152.5	157.1	161	119.9	123.5	126.5
CRI	82	82	83	82	82	83
Voltage Ratings	120-277V					

A22-100W, TYPE II	3000K			3000K (With Shield)		
Wattage	100W	80W	60W	100W	80W	60W
Input Watts	94.6W	80.5W	61.0W	94.6W	80.5W	61.0W
Lumens	14,733	12,774	9,854	11,618	10,073	7,771
Efficacy	155.7	158.7	161.5	122.8	125.1	127.4
CRI	82	83	82	72	83	82
Voltage Ratings	480V					

A22-100W, TYPE III	3000K			3000K (With Shield)		
Wattage	100W	80W	60W	100W	80W	60W
Input Watts	94.7W	77.0W	58.0W	94.7W	77.0W	58.0W
Lumens	14,308	12,001	9,296	11,258	9,443	7,314
Efficacy	151.1	155.9	160.3	118.9	122.6	126.1
CRI	82	82	83	82	82	83
Voltage Ratings	120-277V					

A22-100W, TYPE III	3000K			3000K (With Shield)		
Wattage	100W	80W	60W	100W	80W	60W
Input Watts	94.6W	80.5W	61.0W	94.6W	80.5W	61.0W
Lumens	14,619	12,671	9,780	11,515	9,981	7,703
Efficacy	154.5	157.4	160.3	121.7	124	126.3
CRI	82	82	83	82	82	83
Voltage Ratings	480V					

A22-100W, TYPE IV	3000K			3000K (With Shield)		
Wattage	100W	80W	60W	100W	80W	60W
Input Watts	94.7W	77.1W	58.0W	94.7W	77.1W	58.0W
Lumens	13,897	11,651	9,024	10,842	9,090	7,040
Efficacy	146.7	151.1	155.6	114.5	117.9	121.4
CRI	82	82	83	82	82	83
Voltage Ratings	120-277V					

A22-100W, TYPE IV	3000K			3000K (With Shield)		
Wattage	100W	80W	60W	100W	80W	60W
Input Watts	94.6W	80.5W	61.0W	94.6W	80.5W	61.0W
Lumens	14,277	12,387	9,567	11,194	9,712	7,501
Efficacy	150.9	153.9	156.8	118.3	120.6	123
CRI	82	82	83	83	82	83
Voltage Ratings	480V					

A22-100W, TYPE V	3000K			3000K (With Shield)		
Wattage	100W	80W	60W	100W	80W	60W
Input Watts	94.7W	77.1W	58.0W	94.7W	77.1W	58.0W
Lumens	14,415	12,113	9,360	9,545	8,021	6,198
Efficacy	152.2	157.1	161.4	100.8	104	106.9
CRI	82	82	83	82	82	83
Voltage Ratings	120-277V					

A22-100W, TYPE V	3000K			3000K (With Shield)		
Wattage	100W	80W	60W	100W	80W	60W
Input Watts	94.6W	80.5W	61.0W	94.6W	80.5W	61.0W
Lumens	14,721	12,763	9,864	9,727	8,433	6,518
Efficacy	155.6	158.5	161.7	102.8	104.8	106.9
CRI	82	83	83	82	83	83
Voltage Ratings	480V					

# A22 Field-Adjustable Area Lights



## PERFORMANCE

### A22 3000K Luna & Dark Sky Application

A22-150W, TYPE II	3000K			3000K (With Shield)		
Wattage	150W	120W	100W	150W	120W	100W
Input Watts	138.7W	111.3W	95.2W	138.7W	111.3W	95.2W
Lumens	21,688	17,953	15,630	17,210	14,246	12,403
Efficacy	156.4	161.3	164.2	124.1	128	130.3
CRI	81	81	81	81	81	81
Voltage Ratings	120-277V					

A22-150W, TYPE II	3000K			3000K (With Shield)		
Wattage	150W	120W	100W	150W	120W	100W
Input Watts	141.9W	117.0W	103.3W	141.9W	117.0W	103.3W
Lumens	22,106	18,622	16,605	17,685	14,898	13,284
Efficacy	155.8	159.2	160.7	124.6	127.3	128.6
CRI	81	81	81	81	81	81
Voltage Ratings	480V					

A22-150W, TYPE III	3000K			3000K (With Shield)		
Wattage	150W	120W	100W	150W	120W	100W
Input Watts	138.7W	111.2W	95.2W	138.7W	111.2W	95.2W
Lumens	21,331	17,650	15,368	17,011	14,075	12,256
Efficacy	153.8	158.7	161.4	122.6	126.6	128.7
CRI	81	81	81	81	81	81
Voltage Ratings	120-277V					

A22-150W, TYPE III	3000K			3000K (With Shield)		
Wattage	150W	120W	100W	150W	120W	100W
Input Watts	141.9W	117.0W	103.3W	141.9W	117.0W	103.3W
Lumens	21,606	18,211	16,238	17,298	14,580	13,000
Efficacy	152.3	155.7	157.2	121.9	124.6	125.8
CRI	81	81	81	81	81	81
Voltage Ratings	480V					

A22-150W, TYPE IV	3000K			3000K (With Shield)		
Wattage	150W	120W	100W	150W	120W	100W
Input Watts	138.7W	111.3W	95.2W	138.7W	111.3W	95.2W
Lumens	21,000	17,379	15,136	16,489	13,646	11,885
Efficacy	151.4	156.1	159	118.9	122.6	124.8
CRI	81	81	81	81	81	81
Voltage Ratings	120-277V					

A22-150W, TYPE IV	3000K			3000K (With Shield)		
Wattage	150W	120W	100W	150W	120W	100W
Input Watts	141.9W	117.0W	103.3W	141.9W	117.0W	103.3W
Lumens	21,226	17,882	15,965	16,899	14,237	12,710
Efficacy	149.6	152.8	154.5	119.1	121.7	123
CRI	81	81	81	81	81	81
Voltage Ratings	480V					

A22-150W, TYPE V	3000K			3000K (With Shield)		
Wattage	150W	120W	100W	150W	120W	100W
Input Watts	138.7W	111.3W	95.2W	138.7W	111.3W	95.2W
Lumens	21,772	18,029	15,695	14,499	12,006	10,452
Efficacy	157	162	164.9	104.5	107.9	109.8
CRI	81	81	81	81	81	81
Voltage Ratings	120-277V					

A22-150W, TYPE V	3000K			3000K (With Shield)		
Wattage	150W	120W	100W	150W	120W	100W
Input Watts	141.9W	117.0W	103.3W	141.9W	117.0W	103.3W
Lumens	22,207	18,722	16,733	14,839	12,510	11,181
Efficacy	156.5	160	162	104.6	106.9	108.2
CRI	81	81	81	81	81	81
Voltage Ratings	480V					

# A22 Field-Adjustable Area Lights



## PERFORMANCE

### A22 3000K Luna & Dark Sky Application

A22-200W, TYPE II	3000K			3000K (With Shield)		
Wattage	200W	180W	160W	200W	180W	160W
Input Watts	188.1W	172.1W	152.9W	188.1W	172.1W	152.9W
Lumens	27,959	26,033	23,596	22,023	20,506	18,586
Efficacy	148.6	151.3	154.3	117.1	119.2	121.6
CRI	82	82	82	82	82	82
Voltage Ratings	120-277V					

A22-200W, TYPE II	3000K			3000K (With Shield)		
Wattage	200W	180W	160W	200W	180W	160W
Input Watts	193.0W	182.9W	165.0W	193.0W	182.9W	165.0W
Lumens	29,197	27,927	25,605	22,966	21,967	20,141
Efficacy	151.3	152.7	155.2	119	120.1	122.1
CRI	83	83	82	82	83	82
Voltage Ratings	480V					

A22-200W, TYPE III	3000K			3000K (With Shield)		
Wattage	200W	180W	160W	200W	180W	160W
Input Watts	188.1W	172.1W	152.9W	188.1W	172.1W	152.9W
Lumens	27,484	25,563	23,166	21,746	20,226	18,329
Efficacy	146.1	148.5	151.5	115.6	117.5	119.9
CRI	82	82	82	82	82	82
Voltage Ratings	120-277V					

A22-200W, TYPE III	3000K			3000K (With Shield)		
Wattage	200W	180W	160W	200W	180W	160W
Input Watts	193.0W	182.9W	165.0W	193.0W	182.9W	165.0W
Lumens	28,750	27,513	25,200	22,661	21,686	19,863
Efficacy	149	150.4	152.7	117.4	118.6	120.4
CRI	82	82	82	82	82	82
Voltage Ratings	480V					

A22-200W, TYPE IV	3000K			3000K (With Shield)		
Wattage	200W	180W	160W	200W	180W	160W
Input Watts	188.0W	172.1W	151.9W	188.0W	172.1W	151.9W
Lumens	26,776	24,813	22,466	21,131	19,582	17,730
Efficacy	142.4	144.2	147.9	112.4	113.8	116.7
CRI	83	83	83	83	83	83
Voltage Ratings	120-277V					

A22-200W, TYPE IV	3000K			3000K (With Shield)		
Wattage	200W	180W	160W	200W	180W	160W
Input Watts	192.9W	182.9W	164.9W	192.9W	182.9W	164.9W
Lumens	28,220	27,032	24,732	22,323	21,383	19,564
Efficacy	146.3	147.8	150	115.7	116.9	118.6
CRI	83	82	83	83	82	83
Voltage Ratings	480V					

A22-200W, TYPE V	3000K			3000K (With Shield)		
Wattage	200W	180W	160W	200W	180W	160W
Input Watts	188.0W	172.0W	152.9W	188.0W	172.0W	152.9W
Lumens	28,037	26,098	23,658	18,424	17,150	15,546
Efficacy	149.1	151.7	154.7	98	99.7	101.7
CRI	82	82	82	82	82	82
Voltage Ratings	120-277V					

A22-200W, TYPE V	3000K			3000K (With Shield)		
Wattage	200W	180W	160W	200W	180W	160W
Input Watts	192.9W	182.9W	164.9W	192.9W	182.9W	164.9W
Lumens	29,252	27,998	25,647	19,324	18,496	16,943
Efficacy	151.6	153.1	155.5	100.2	101.1	102.7
CRI	82	82	82	82	82	82
Voltage Ratings	480V					

# A22 Field-Adjustable Area Lights



## PERFORMANCE

### A22 3000K Luna & Dark Sky Application

A22-320W, TYPE II	3000K			3000K (With Shield)		
Wattage	320W	280W	250W	320W	280W	250W
Input Watts	306.8W	277.2W	246.7W	306.8W	277.2W	246.7W
Lumens	43,757	40,369	36,752	34,699	32,012	29,144
Efficacy	142.6	145.6	149	113.1	115.5	118.1
CRI	82	82	82	82	82	82
Voltage Ratings	120-277V					

A22-320W, TYPE II	3000K			3000K (With Shield)		
Wattage	320W	280W	250W	320W	280W	250W
Input Watts	299.8W	274.8W	248.2W	299.8W	274.8W	248.2W
Lumens	44,390	41,381	37,993	35,167	32,783	30,099
Efficacy	148.1	150.6	153.1	117.3	119.3	121.3
CRI	82	82	82	82	82	82
Voltage Ratings	480V					

A22-320W, TYPE III	3000K			3000K (With Shield)		
Wattage	320W	280W	250W	320W	280W	250W
Input Watts	306.9W	277.1W	246.8W	306.9W	277.1W	246.8W
Lumens	43,236	39,917	36,316	34,082	31,466	28,627
Efficacy	140.9	144.1	147.1	111.1	113.6	116
CRI	82	82	82	82	82	82
Voltage Ratings	120-277V					

A22-320W, TYPE III	3000K			3000K (With Shield)		
Wattage	320W	280W	250W	320W	280W	250W
Input Watts	299.8W	274.8W	248.2W	299.8W	274.8W	248.2W
Lumens	43,370	40,376	37,067	34,231	31,868	29,256
Efficacy	144.7	146.9	149.3	114.2	116	117.9
CRI	82	82	82	82	82	82
Voltage Ratings	480V					

A22-320W, TYPE IV	3000K			3000K (With Shield)		
Wattage	320W	280W	250W	320W	280W	250W
Input Watts	306.8W	277.1W	246.8W	306.6W	277.1W	246.8W
Lumens	42,833	39,466	35,905	33,922	31,255	28,435
Efficacy	139.6	142.4	145.5	110.6	112.8	115.2
CRI	82	82	82	82	82	82
Voltage Ratings	120-277V					

A22-320W, TYPE IV	3000K			3000K (With Shield)		
Wattage	320W	280W	250W	320W	280W	250W
Input Watts	299.8W	274.8W	248.2W	299.8W	274.8W	248.2W
Lumens	43,084	40,124	36,841	33,981	31,646	29,057
Efficacy	143.7	146	148.4	113.3	115.2	117.1
CRI	82	82	82	82	82	82
Voltage Ratings	480V					

A22-320W, TYPE V	3000K			3000K (With Shield)		
Wattage	320W	280W	250W	320W	280W	250W
Input Watts	306.8W	277.1W	246.8W	306.8W	277.1W	246.8W
Lumens	43,880	40,601	36,981	29,502	27,297	24,864
Efficacy	143	146.5	149.8	96.2	98.5	100.7
CRI	82	82	82	82	82	82
Voltage Ratings	120-277V					

A22-320W, TYPE V	3000K			3000K (With Shield)		
Wattage	320W	280W	250W	320W	280W	250W
Input Watts	299.8W	274.8W	248.2W	299.8W	274.8W	248.2W
Lumens	44,696	41,722	38,331	30,250	28,237	25,942
Efficacy	149.1	151.8	154.4	100.9	102.8	104.5
CRI	82	82	82	82	82	82
Voltage Ratings	480V					

# A22 Field-Adjustable Area Lights



## ORDERING MATRIX

### A22

Family	Optics	Wattages		Mounting	Color Temperature	Finish	Voltage	Options					
<b>A22</b>													
BLANK	Type III	70	70/60/50W	BLANK	Universal	BLANK	CCT Adjustable	BLANK	Bronze	BLANK	120-277V	BLANK	7-Pin Receptacle with
2T	Type II	100	100/80/60W		Adjustable		3000/4000/5000K	W	White		0-10V dimming		Shorting Cap
4T	Type IV	150	150/120/100W		Pole Mount	Y	3000K	B	Black	/480	480V	/MVS	7-Pin Receptacle with
5T	Type V	200	200/180/160W	BLANK	Universal						0-10V dimming		Shorting Cap & Microwave
		320	320/280/250W		Non-Adjustable								Occupancy Sensor
					Pole Mount*								/LCBS** Lightcloud Blue Enabled
													w/PIR Sensor
													/LCBS/MVS** Lightcloud Blue Enabled
													w/MVS Sensor

### A22 Stocking Unit with 3 Lenses and Twistlock Included

Family	Optics	Wattages		Mounting	Color Temperature	Finish	Voltage	Options					
<b>A22</b>													
BLANK	Type III Installed, Type IV and Type V included	150X 320X	150/120/100W 320/280/250W	BLANK	Universal Adjustable Pole Mount	BLANK	CCT Adjustable 3000/4000/5000K	BLANK	Bronze	BLANK	120- 277V 0-10V dimming	BLANK	7-Pin Receptacle with Shorting Cap + 3Pin Twistlock Photocell

\*Only available for the Y CCT (for LUNA & DarkSky application)

\*\*Only available in bronze models