



**RAB**<sup>®</sup>

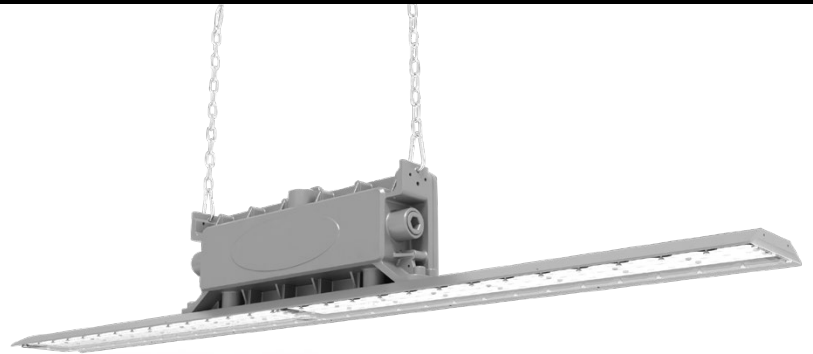
# High bay solutions for hazardous environments.

HAZL34—Designed for use in Class I Div 2 locations.

## Built tough.

Designed to perform in areas with hazardous vapor and gases, the HAZL34 is certified for Class I, Division 2, Groups A, B, C, D and has a temperature rating of T4A.

*\*80W/480V model has a T5 rating.*





100,000-HOUR LED LIFESPAN



CERTIFIED TO UL STANDARD 1598 AND 844

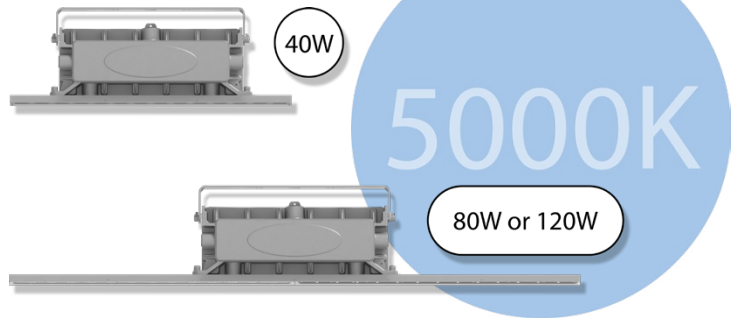


5-YEAR, NO-COMPROMISE WARRANTY

RAB's warranty is subject to all terms and conditions found at [rablighting.com/warranty](http://rablighting.com/warranty)

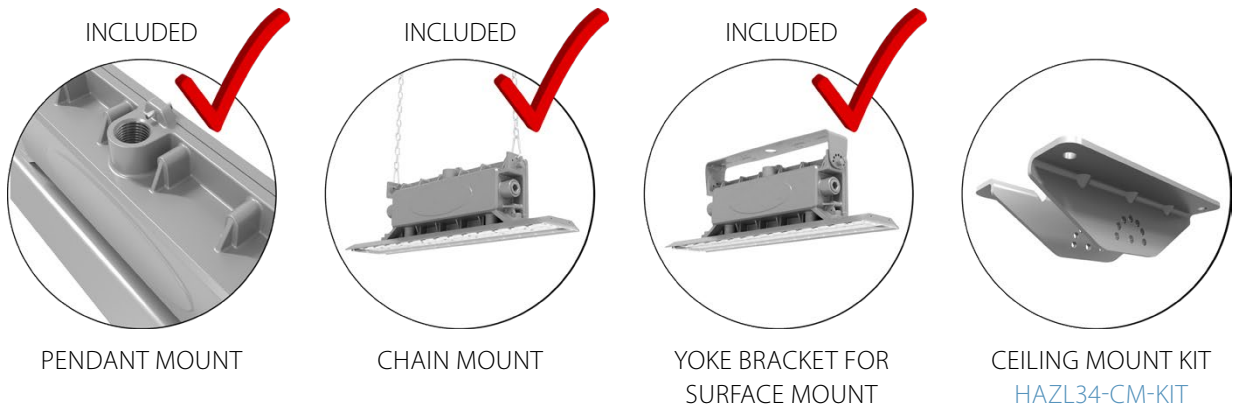
## For high bay applications.

The HAZL34 is offered in 2' (40W) and 4' (80W or 120W) models in a bright 5000K for maximized visibility.



## Secure installations.

All models come standard with three mounting options—pendant mount (pendant by others), chain mount, and a yoke bracket for surface mount. A separate kit is available for ceiling mount.



## Wire guard accessories.

For an added level of protection, wire guards are available for both HAZL34 sizes.



## Ordering Matrix

Product Family	Wattage (Size)		Color Temp		Finish		Voltage
HAZL34							
	40	40W (2 ft.)	Blank	5000K	Blank	Gray	Blank /480
	80	80W (4 ft.)					
	120	120W (4 ft.)					
							120-277V, 0-10V dimming 480V, 0-10V dimming*

\*For 80W model only.