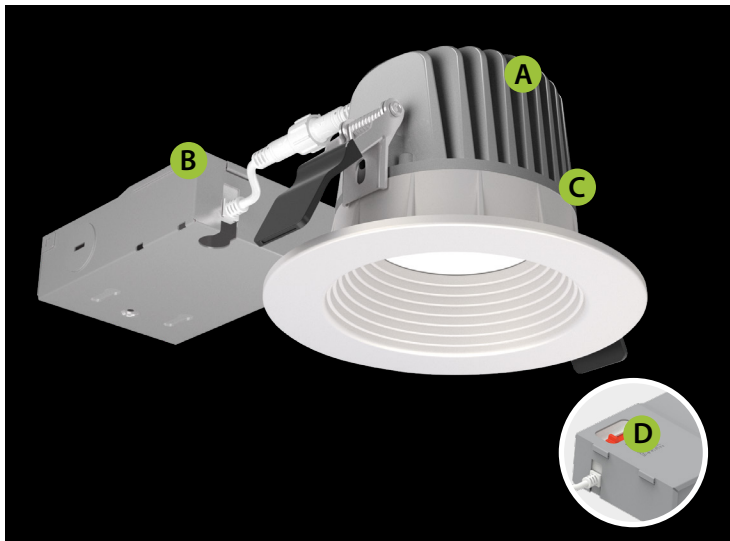


Modular flexibility at its best.

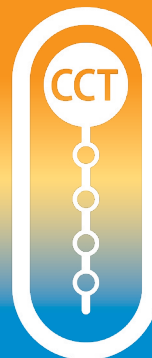
HALED 4" and 6"



- A** Die-cast aluminum heatsink for superior thermal performance
- B** Driver design minimizes optical flickering (<5%)
- C** IC rated and meets air-tight requirement
- D** Round and square trims available, with smooth or baffle cones, in white, black, bronze, or brushed nickel
- F** Five field-selectable color temperatures

Maximized flexibility.

All models come with 5 field-adjustable color temperatures so you can customize your output with the flip of a switch.



2700K

3000K

3500K

4000K

5000K

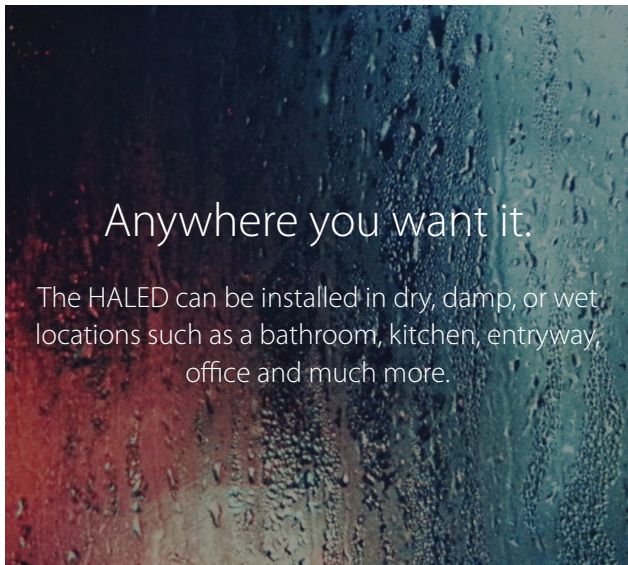


50,000-HOUR
LED LIFESPAN



5-YEAR,
NO COMPROMISE
WARRANTY

RAB's warranty is
subject to all terms
and conditions found at
rablighting.com/warranty



Anywhere you want it.

The HALEd can be installed in dry, damp, or wet locations such as a bathroom, kitchen, entryway, office and much more.



Universal dimming.

All models offer TRIAC dimming at 120V and 0-10V dimming for 120-277V.*



*120-277V Driver sold separately HAD4/D10 or HAD6/D10

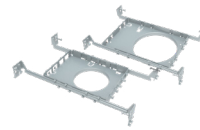
Additional Accessories.



[Color Trims](#)



[Extension Cables](#)



[Mounting Plates](#)



[Emergency Driver](#)

Ordering Matrix

Family	Size (Wattage)	Shape	CRI/Color Temp	Voltage/Dimming
HA				
HALED Module Downlight*	4 4" (12W) 6 6" (18W)	Blank Round	Blank 90CRI Field Adjustable	Blank 120V, TRIAC
Family	Size	Shape	Trim	Finish
HAT				
HALED Trim*	4 4" 6 6"	R Round S Square	Blank Smooth B Baffle	W White B Black A Bronze BN Brushed Nickel

*Module and trim must be order together for proper installation.