

INSTRUCTIONS

4"/6" Surface Mount



RAB Lighting is committed to creating high-quality, affordable, well-designed and energy-efficient LED lighting and controls that make it easy for electricians to install and end users to save energy. We'd love to hear your comments. Please call the Marketing Department at 888-RAB-1000 or email: marketing@rablighting.com



SM3N1-4R-10-9CCT-120-W-BL
SM3N1-6R-12-9CCT-120-W-BL



SM3N1-4R-10-9CCT-120-W-EL
SM3N1-6R-12-9CCT-120-W-EL

IMPORTANT

READ CAREFULLY BEFORE INSTALLING FIXTURE. RETAIN THESE INSTRUCTIONS FOR FUTURE REFERENCE.

RAB fixture must be wired in accordance with the National Electrical Code and all applicable local codes. Proper grounding is required for safety. THIS PRODUCT MUST BE INSTALLED IN ACCORDANCE WITH THE APPLICABLE INSTALLATION CODE BY A PERSON FAMILIAR WITH THE CONSTRUCTION AND OPERATION OF THE PRODUCT AND THE HAZARDS INVOLVED.

TO PREVENT ELECTRICAL SHOCK, POWER SHOULD BE TURNED OFF AT THE FUSE BOX BEFORE INSTALLATION. SAFETY WARNINGS: Read all product labels and directions.

- **WARNING – RISK OF FIRE OR ELECTRIC SHOCK. INSTALLATION OF THIS RETROFIT ASSEMBLY REQUIRES A PERSON FAMILIAR WITH THE CONSTRUCTION AND OPERATION OF THE LUMINAIRE'S ELECTRICAL SYSTEM AND THE HAZARD INVOLVED. IF NOT QUALIFIED, DO NOT ATTEMPT INSTALLATION. CONTACT A QUALIFIED ELECTRICIAN. INSTALLATION SHOULD ONLY BE PERFORMED AFTER POWER TO THE FIXTURE HAS BEEN DISCONNECTED.**
- **THIS PRODUCT MUST BE INSTALLED IN ACCORDANCE WITH THE APPLICABLE INSTALLATION CODE BY A PERSON FAMILIAR WITH THE CONSTRUCTION WITH THE CONSTRUCTION AND OPERATION OF THE PRODUCT AND THE HAZARDS INVOLVED.**
- **THE RETROFIT KIT IS ACCEPTED AS A COMPONENT OF A LUMINAIRE WHERE THE SUITABILITY OF THE COMBINATION SHALL BE DETERMINED BY AUTHORITIES HAVING JURISDICTION. PRODUCT MUST BE INSTALLED BY A QUALIFIED ELECTRICIAN IN ACCORDANCE WITH THE APPLICABLE AND APPROPRIATE ELECTRICAL CODES. THE INSTALLATION GUIDE DOES NOT SUPERSEDE LOCAL OR NATIONAL REGULATIONS FOR ELECTRICAL INSTALLATIONS.**
- **WARNING-Risk of fire or electric shock. Install this kit only in the luminaires that have the construction features and dimensions shown in the photographs and/or drawings and where the input rating of the retrofit kit does not exceed the input rating of the luminaire.**
- **WARNING-To prevent wiring damage or abrasion, do not expose wiring to edges of sheet metal or other sharp objects.**
- **Do not make or alter any open holes in an enclosure of wiring or electrical components during kit installation.**
- **Please examine all parts that are not intended to be replaced by the retrofit kit for damage and replace any damaged parts prior to installation of the retrofit kit.**

INSTALLATION OR ASSEMBLY INSTRUCTIONS. INHERENTLY PROTECTED. TYPE IC.

These instructions shall be included on an information sheet packaged with each unit.

This device complies with Part 15 of the FCC Rules. Operation is subject to the following two conditions:

(1) this device may not cause harmful interference, and (2) this device must accept any interference received including interference that may cause undesired operation.

This equipment has been tested and found to comply with the limits for a Class B digital device, pursuant to part 15 of the FCC Rules. These limits are designed to provide reasonable protection against harmful interference in a residential installation. This equipment generates, uses and can radiate radio frequency energy and, if not installed and used in accordance with the instructions, may cause harmful interference to radio communications. However, there is no guarantee that interference will not occur in a particular installation. If this equipment does cause harmful interference to radio or television reception, which can be determined by turning the equipment off and on, the user is encouraged to try to correct the interference by one or more of the following measures:

- Reorient or relocate the receiving antenna.
- Increase the separation between the equipment and receiver.
- Connect the equipment into an outlet on a circuit different from that to which the receiver is connected.—Consult the dealer or an experienced radio/TV technician for help.

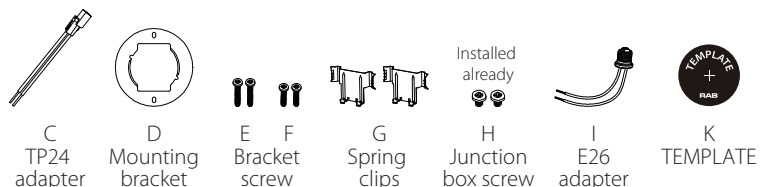
TOOLS NEEDED

Installation with J-BOX

A screw driver is needed for installation

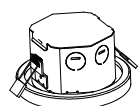
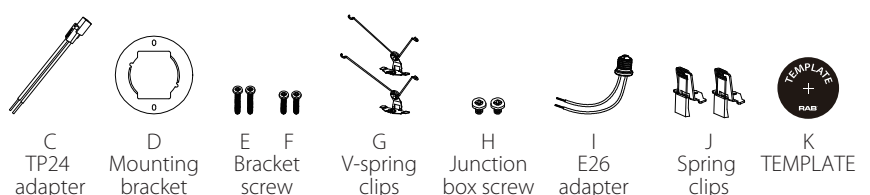
ACCESSORIES

For 4" fixture

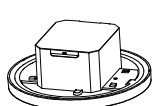


WHAT'S IN THE BOX

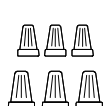
For 6" fixture



A. 4" fixture (1)



A. 6" fixture (1)



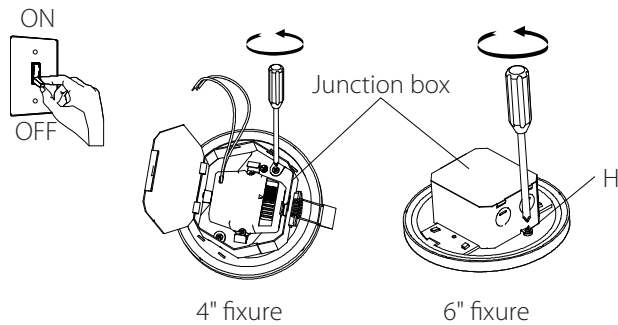
B. Wire Nuts (6)

RAB Lighting is committed to creating high-quality, affordable, well-designed and energy-efficient LED lighting and controls that make it easy for electricians to install and end users to save energy. We'd love to hear your comments. Please call the Marketing Department at 888-RAB-1000 or email: marketing@rablighting.com

Junction Box Mount Installation

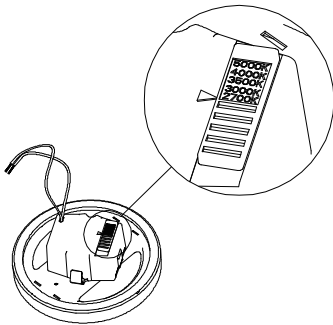
1. Turn off the power make sure the switch is OFF.
2. Remove the accessory "H" at two side of the junction box, and then take off the junction box.
Remark: The accessory "H" can not only be used for retrofit recessed "G" part installation, but also can be used for new recessed construction installation. (Fig.1)

Fig: 1



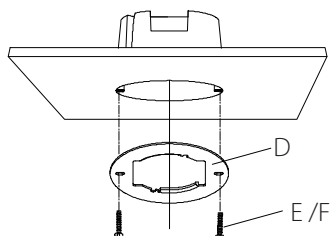
3. Select the required CCT. (Fig.2)

Fig: 2



4. According to the embedded junction box to choose accessories "E" or "F".
Then, use screwdriver to lock the accessory "D" to the embedded junction box with screw "E" or "F". (Fig.3)

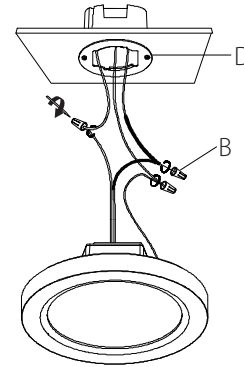
Fig: 3



Junction Box Mount Installation (cont'd)

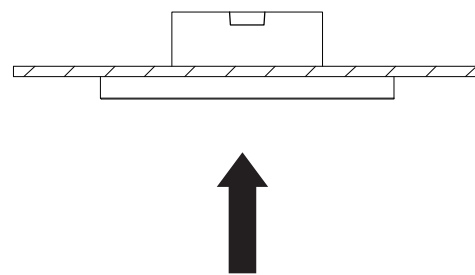
5. Firstly, choose suitable accessory "B".
Then, use accessory "B" to connect the wire in the embedded junction box with the wires on downlight (black to black, white to white, green to green). (Fig.4)

Fig: 4



6. Push downlight into accessory "D", till it flush with the ceiling. (Fig.5)

Fig: 5



INSTRUCTIONS

4"/6" Surface Mount

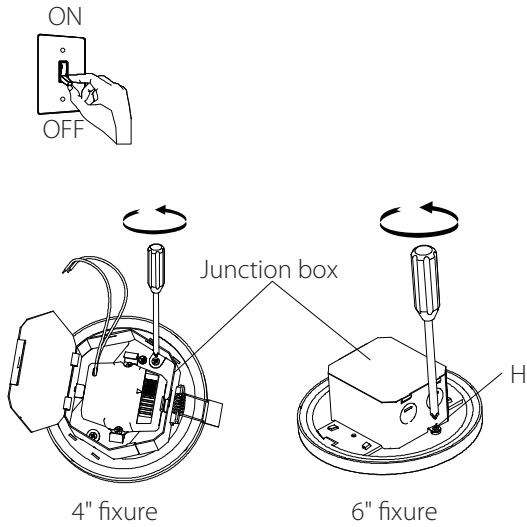


RAB Lighting is committed to creating high-quality, affordable, well-designed and energy-efficient LED lighting and controls that make it easy for electricians to install and end users to save energy. We'd love to hear your comments. Please call the Marketing Department at 888-RAB-1000 or email: marketing@rablighting.com

Recessed Housing Mount Installation

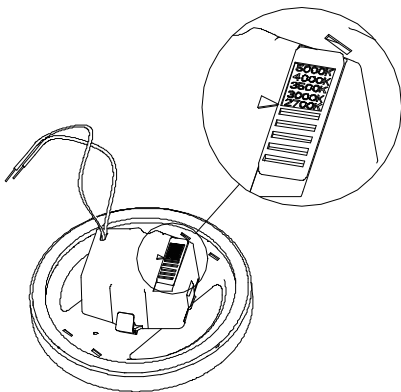
1. Turn off the power make sure the switch is OFF.
2. Remove the accessory "H" at two side of the junction box, and then take off the junction box.
Remark: The accessory "H" can not only be used for retrofit recessed "G" part installation, but also can be used for new recessed construction installation. (Fig.6)

Fig: 6



3. Select the required CCT. (Fig.7)

Fig: 7

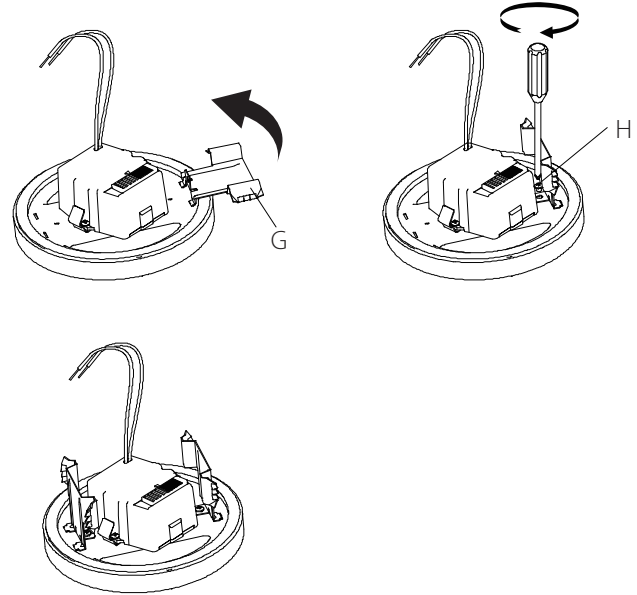


Recessed Housing Mount Installation (cont'd)

4. As shown in the figure, use accessory "H" to fix accessory "G" on the downlight.
The tool used here is a Phillips screwdriver. (Fig.8)(Fig.9)

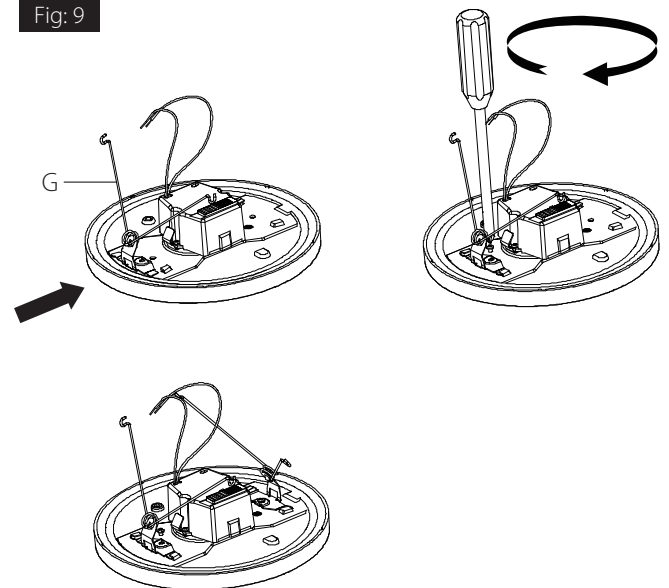
For 4" fixture

Fig: 8



For 6" fixture

Fig: 9



RAB Lighting is committed to creating high-quality, affordable, well-designed and energy-efficient LED lighting and controls that make it easy for electricians to install and end users to save energy. We'd love to hear your comments. Please call the Marketing Department at 888-RAB-1000 or email: marketing@rablighting.com

Recessed Housing Mount Installation (cont'd)

5. Method 1. Use E26 base adapter.

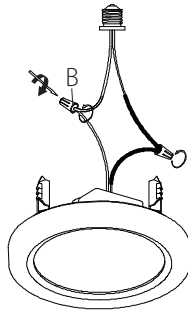
For 4" fixture

Firstly, choose suitable accessory "B".

Then, use accessory "B" to connect the wire on E26 with the wires on downlight (black to black, white to white, if you got Earth in the embedded housing, then make it green to green).

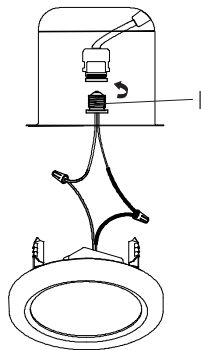
(Fig.10)

Fig: 10



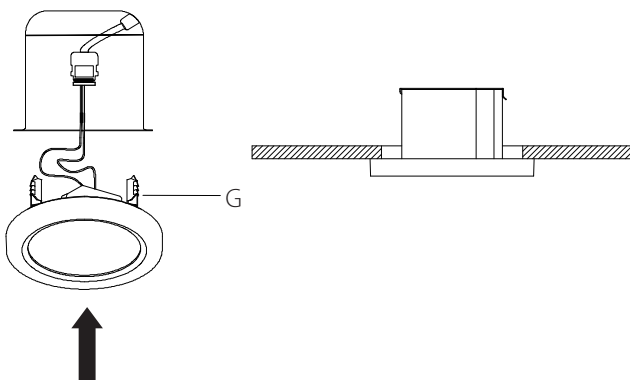
Install the accessory "I" into the embedded housing as shown in the picture. (Fig.11)

Fig: 11



Push the downlight into the embedded housing by accessory "G", till it flush with the ceiling. (Fig.12)

Fig: 12



Recessed Housing Mount Installation (cont'd)

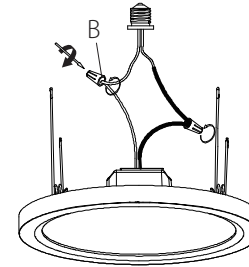
For 6" fixture

Firstly, choose suitable accessory "B".

Then, use accessory "B" to connect the wire on E26 with the wires on downlight (black to black, white to white, if you got Earth in the embedded housing, then make it green to green).

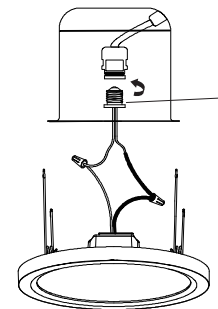
(Fig.13)

Fig: 13



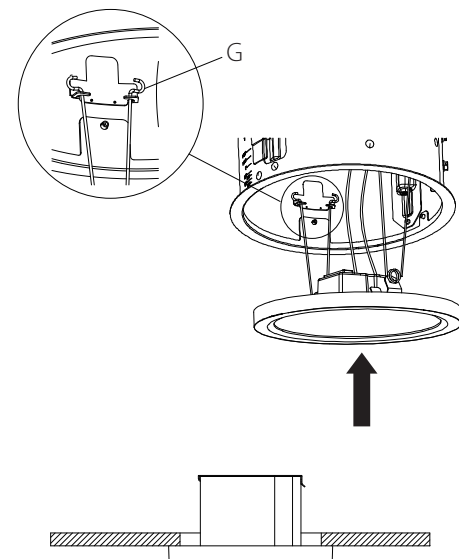
Install the accessory "I" into the embedded housing as shown in the picture. (Fig.14)

Fig: 14



Push downlight into the embedded housing by accessory "G", till it flush with the ceiling. (Fig.15)

Fig: 15



RAB Lighting is committed to creating high-quality, affordable, well-designed and energy-efficient LED lighting and controls that make it easy for electricians to install and end users to save energy. We'd love to hear your comments. Please call the Marketing Department at 888-RAB-1000 or email: marketing@rablighting.com

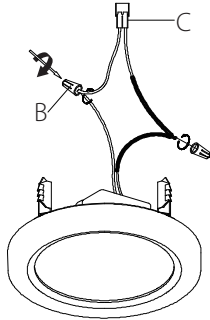
Recessed Housing Mount Installation (cont'd)

6. Method 2. Use TP24 Supply wire adapter.

For 4" fixture

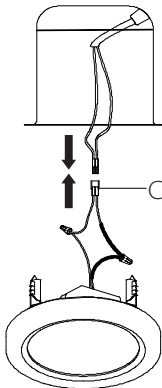
Firstly, choose suitable accessory "B".
Then, use accessory "B" to connect with the accessory "C" directly. (Fig.16)

Fig: 16



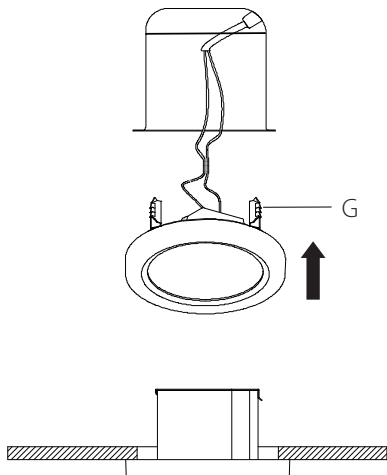
Connect the accessory "C" with the TP24 which is already in the embedded housing. (Fig.17)

Fig: 17



Then, Push downlight into the embedded housing by accessory "G", till it flush with the ceiling.
It should be noted that the accessory "G" need to be pinched and stuck to the internal fittings of the housing. (Fig.18)

Fig: 18

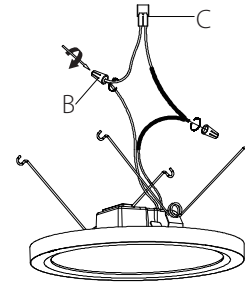


Recessed Housing Mount Installation (cont'd)

For 6" fixture

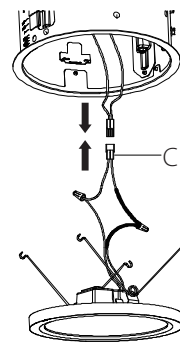
Firstly, choose suitable accessory "B".
Then, use accessory "B" to connect with the accessory "C" directly. (Fig.19)

Fig: 19



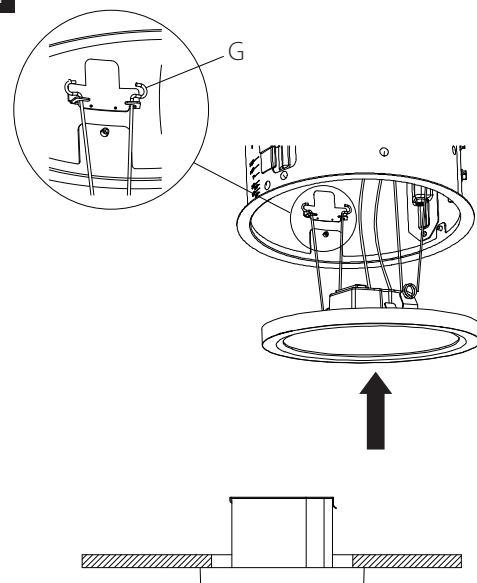
Connect the accessory "C" with the TP24 which is already in the embedded housing. (Fig.20)

Fig: 20



Then, push the downlight into the embedded housing by accessory "G", till it flush with the ceiling.
It should be noted that the accessory "G" need to be pinched and stuck to the internal fittings of the housing. (Fig.21)

Fig: 21



INSTRUCTIONS

4"/6" Surface Mount

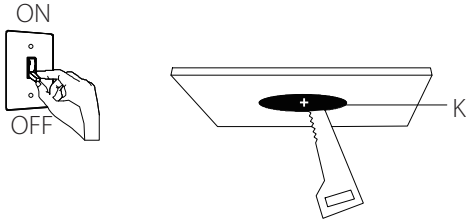


RAB Lighting is committed to creating high-quality, affordable, well-designed and energy-efficient LED lighting and controls that make it easy for electricians to install and end users to save energy. We'd love to hear your comments. Please call the Marketing Department at 888-RAB-1000 or email: marketing@rablighting.com

Direct Ceiling Mount Installation

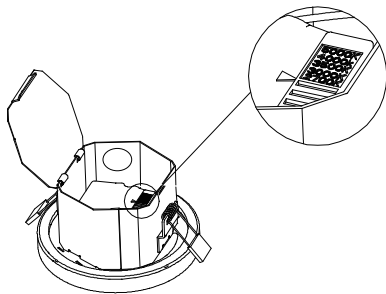
1. Turn off the power make sure the switch is OFF.
2. Use the template to cut hole on the ceiling. (Fig.22)

Fig: 22



3. Select the required CCT. (Fig.23)

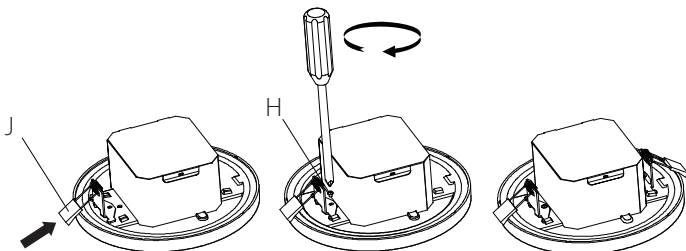
Fig: 23



For 6" fixture

AS shown in the figure,use accessory "H" to fix accessory "J" on the downlight.
The tool used here is a Phillips screwdriver. (Fig.24)

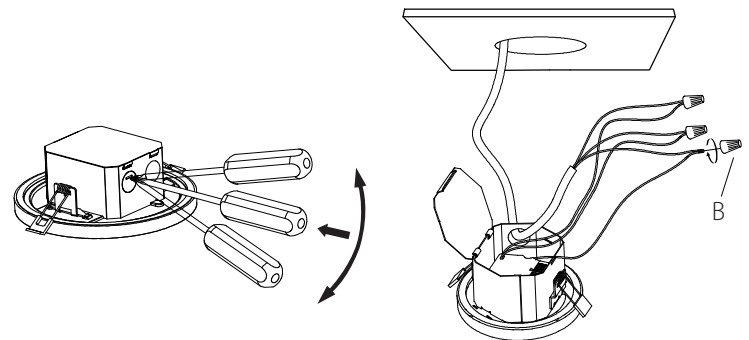
Fig: 24



Direct Ceiling Mount Installation (cont'd)

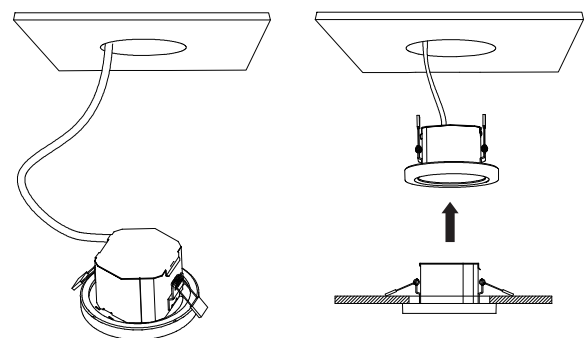
4. Choose suitable accessory "B".
Knock off the hole plate with a screwdriver.
Use accessory "B" to connect the wires in the embedded housing with the wires in the junction box (black to black , white to white, green to green). (Fig.25)

Fig: 25



5. Push downlight into the embedded housing by spring clips, till it flush with the ceiling. (Fig.26)

Fig: 26



Note: These instructions do not cover all details or variations in equipment nor do they provide for every possible situation during installation, operation or maintenance.

Easy Answers