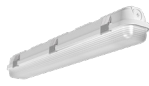


INSTRUCTIONS

SEAL® FIELD-ADJUSTABLE INSTALLATION

RAB®

RAB Lighting is committed to creating high-quality, affordable, well-designed and energy-efficient LED lighting and controls that make it easy for electricians to install and end users to save energy. We'd love to hear your comments. Please call the Marketing Department at 888-RAB-1000 or email: marketing@rablighting.com



SEAL - 2FT



SEAL - 4FT



SEAL - 8FT

IMPORTANT

READ CAREFULLY BEFORE INSTALLING FIXTURE. RETAIN THESE INSTRUCTIONS FOR FUTURE REFERENCE.

RAB fixtures must be wired in accordance with the National Electrical Code and all applicable local codes. Proper grounding is required for safety. THIS PRODUCT MUST BE INSTALLED IN ACCORDANCE WITH THE APPLICABLE INSTALLATION CODE BY A PERSON FAMILIAR WITH THE CONSTRUCTION AND OPERATION OF THE PRODUCT AND THE HAZARDS INVOLVED.

WARNING: Make certain power is OFF before installing or maintaining fixture. No user serviceable parts inside.

CAUTION: For proper weatherproof function all gaskets must be seated properly and all screws inserted and tightened firmly. Apply weatherproof silicone sealant around the edge of the ceiling mounting box and/or junction box. This is especially important with an uneven ceiling surface. Silicone all plugs and unused conduit entries.

SURFACE MOUNTING

The fixture is suitable for outdoor applications in wet locations either ceiling or wall mounted.

1. Use appropriate mounting hardware (*not supplied*) to secure the **Snap on Brackets** to mounting surface. Refer to recommended **Snap on Bracket** spacing in Fig. 1 for SEAL 2ft, SEAL 4ft and SEAL 8ft.

WARNING: Mount Snap on Brackets symmetrical about the center as shown in Fig. 1. Snap on Brackets must be aligned with each other to secure Housing.

2. To use an alternate **Entry Point**, follow steps 3-7 below.
3. Unlatch the **Lens** from **Housing** as shown in Fig. 2.
4. Snap out the **LED & Heat Sink Assembly**. **Tether Cables** are provided, if required.
5. Feed supply wires through one of the **Conduit Plugs** to make electrical splices. **Cord-grip** is provided and can be used based on the application.
6. Use appropriate UL approved wire connectors as required by code to complete wiring with supply wires. Be careful not to pinch wires. **Quick connector** is provided for easy installation, if required.

WARNING: To prevent wiring damage or abrasion, do not expose wiring to edges of sharp objects.

7. Snap in **LED and Heat Sink Assembly** and secure **Lens** to **Housing** by **Latch**. Be careful not to pinch wires. Check that **Gasket** is fully seated.
8. Snap **Housing** on **Snap on Brackets** as shown in Fig. 3.
9. Use silicone or Teflon® tape on all conduit entry points.

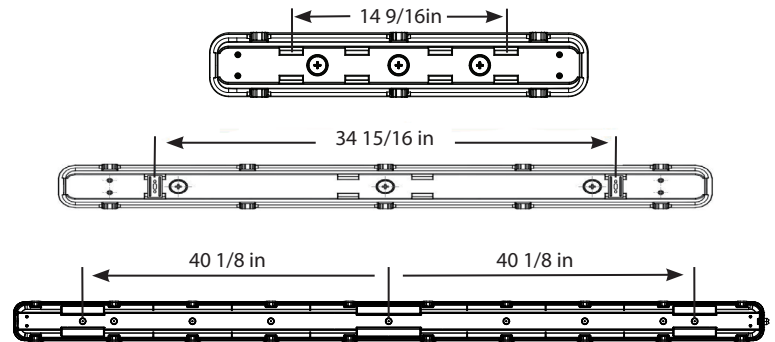


Fig. 1

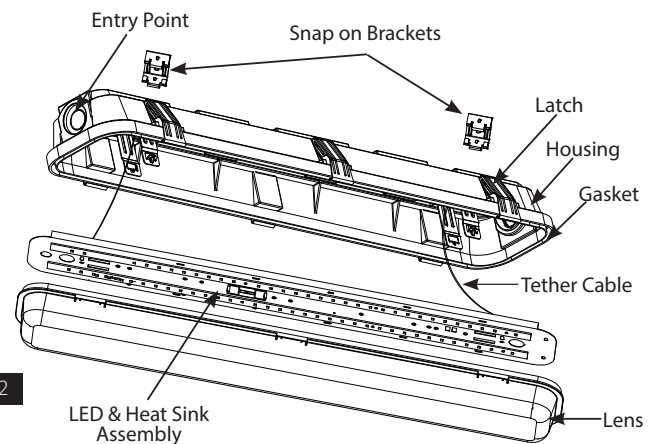


Fig. 2

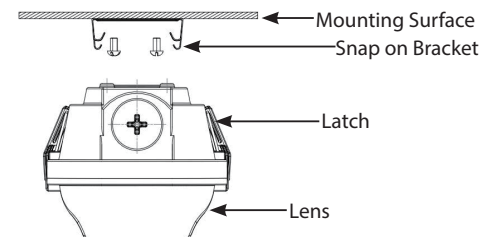


Fig. 3

INSTRUCTIONS

SEAL® FIELD-ADJUSTABLE INSTALLATION

RAB®

RAB Lighting is committed to creating high-quality, affordable, well-designed and energy-efficient LED lighting and controls that make it easy for electricians to install and end users to save energy. We'd love to hear your comments. Please call the Marketing Department at 888-RAB-1000 or email: marketing@rablighting.com

V-HOOK MOUNTING

Suspend **Housing** to sturdy ceiling structure as follows:

1. Snap **Housing** on **Snap on Brackets** as shown in Fig. 3.
2. To use the alternate entry point, follow steps 3-7 in Surface Mounting section (*page 1*).
3. **V-Hooks** (2 pcs for SEAL 2ft, SEAL 4ft and 3 pcs for SEAL 8ft) are provided for chain mounting. Loop **V-Hooks** through **Snap on Bracket** at back of **Housing** as shown in Fig. 4.
4. Connect to (2 pcs for SEAL 2ft, SEAL 4ft and 4 pcs for SEAL 8ft) equal lengths of chains (*not provided*) and/or appropriate hardware (*not provided*) suitable for mounting surface to suspend **Housing** from **V-Hooks**.
5. Fixture mounting height and spacing should be determined by application requirements. Use chain suitable to support four (4) times the weight of the fixture.
6. Use silicone or Teflon® tape on all conduit entry points.

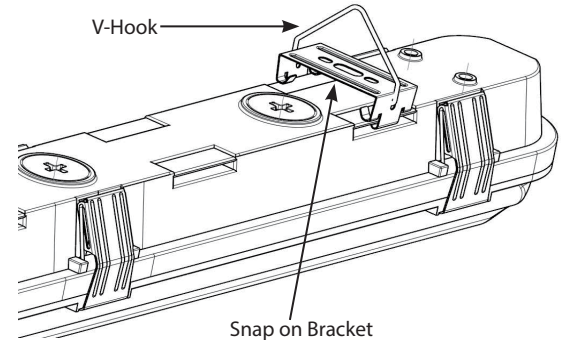


Fig: 4

ACCESSORIES - ANGLE MOUNTING

Ordered separately - Fig. 5 & 6:

1. Use appropriate mounting hardware (*not provided*) to secure the **Corner Brackets** (2) to the mounting surface as shown in Fig 5. **Corner Brackets** must face towards each other. Recommended **Corner Bracket** distance center to center is 14-13/25" for SEAL 2ft and 34-19/20" for SEAL 4ft & SEAL 8ft.
2. Secure (2) **Snap on Brackets** (*supplied standard with Housing*) to **Corner Brackets** (2) with **Screws** (4 *provided*).
3. Snap **Housing** on **Snap on Brackets** (2) as shown in Fig. 3, Page 1. Ensure that the **Housing** is secure on **Snap on Brackets** (2) onto the grooves on **Lens** as shown in Fig. 1, Page 1.

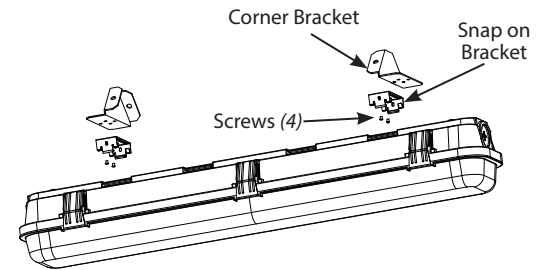


Fig: 5

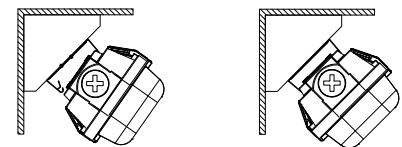


Fig: 6

FIELD ADJUSTMENT

Follow instructions below to change the **Fixture Power (W)** and/or **Color Temperature (CCT)** from factory settings:

Factory Settings:

SEAL2 25/20/15W	25W / 4000K
SEAL4 50/40/30W	50W / 4000K
SEAL8 100/80/60W	100W / 4000K

1. Release the **Latches** and unlatch the **Lens** from **Housing**. Snap out the **LED & Heat Sink Assembly** as shown in Fig. 2.
2. Locate the **Field Adjustable Switches** on the back of the **Heat Sink Assembly** as shown in Fig. 7.
3. Select **Power (W)** and **Color Temperature (CCT)** by sliding respective switch to the desired value (*Fig. 8*).
4. Snap in **LED and Heat Sink Assembly** and secure **Lens** to **Housing** by **Latch**. Be careful not to pinch the wires.

Field-Adjustable Switches

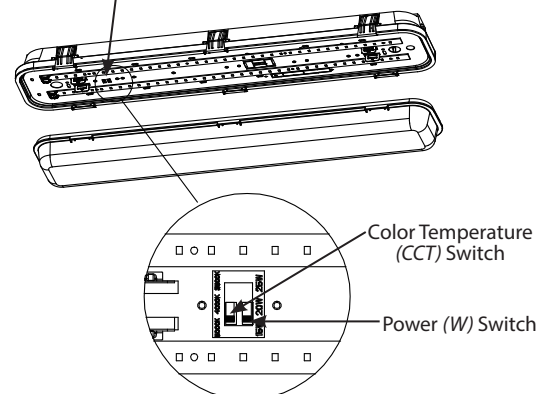


Fig: 7

Fig: 8

INSTRUCTIONS

SEAL® FIELD-ADJUSTABLE INSTALLATION



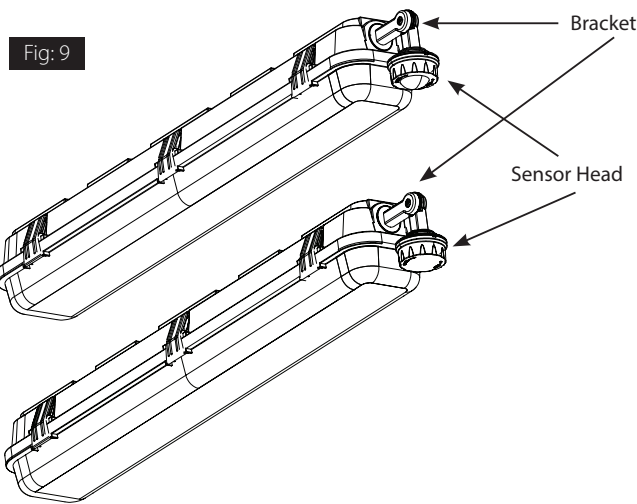
RAB Lighting is committed to creating high-quality, affordable, well-designed and energy-efficient LED lighting and controls that make it easy for electricians to install and end users to save energy. We'd love to hear your comments. Please call the Marketing Department at 888-RAB-1000 or email: marketing@rablighting.com

MVS/PIR MODELS

Screw **Sensor Head** onto the **Bracket** as shown in Fig. 9. See factory settings below (*optional remote sold separately for custom settings, CAT# MSR1*).

Factory Settings:

- Brightness: 100%
- Hold Time: 20 Minutes
- Daylight: Disabled
- Sensitivity: 100%
- Stand-by dimming level: 20%
- Stand-by time: 1 Minute



LIGHTCLOUD® BLUE MVS & PIR MODELS

This is a 12V low voltage controller with an integrated occupancy sensor. Screw the Sensor Head onto the Bracket as shown in Fig. 9.

Factory Settings: Uncommissioned State

- Motion Sensitivity: High
- Brightness when triggered: 100%
- Hold time: 1 Minute
- Standby to dim: 20%
- Stand-by time: 1 Minute

Factory Settings: Commissioned State

- Motion Sensitivity: High
- Brightness when triggered: Last on status
- Hold time: 20 Minutes
- When vacant: Off

Sensors can work independently or to control a group. The sensor settings can be adjusted at the Area level in the Lightcloud Blue App.

CONTROLLING LIGHTCLOUD BLUE DEVICE

1. Confirm your device is powered on.
2. Download the Lightcloud Blue app from the Apple® App store or Google Play™ store.
3. Launch the App and create an account or login.
4. Tap the "add device" icon in the app to start connecting devices.
5. Follow the remaining steps in the app. Create Areas and Groups and add Scenes to organize and control your devices.

ENABLE DEVICE PAIRING MODE

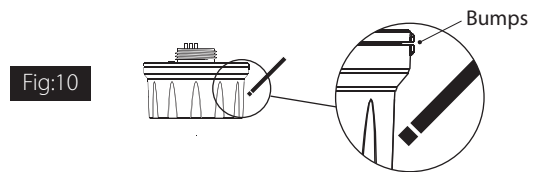
If your Lightcloud Blue Low Voltage Controller+Sensor is already paired there are various options to choose from to return the device to the default factory settings.

Method 1: Delete from the App

Open the app and access the device settings for the paired device. Be sure that the device is online with a strong connection and select 'Delete'. The fixture will flash 3x, then reset to 100% brightness.

Method 2: Rapid Reset Tool

The Rapid Reset process must be done by a professional electrician qualified by RAB. Reach out to your RAB sales manager to request a Rapid Reset Tool. The tool simply needs to be placed directly on the side of the device for 2s or until the fixture flashes 3x, then resets to 100% brightness.



INSTRUCTIONS

SEAL® FIELD-ADJUSTABLE INSTALLATION

RAB®

RAB Lighting is committed to creating high-quality, affordable, well-designed and energy-efficient LED lighting and controls that make it easy for electricians to install and end users to save energy. We'd love to hear your comments. Please call the Marketing Department at 888-RAB-1000 or email: marketing@rablighting.com

0-10V DIMMABLE WIRING

Universal voltage driver permits operation at 120V through 277V, 50 or 60 Hz. For 0-10V dimming follow the wiring directions as shown in Fig.11.

1. Connect the black fixture lead to the **LINE** supply lead.
2. Connect the white fixture lead to the **COMMON** supply lead.
3. Connect the **GROUND** wire from fixture to supply ground.
4. Connect the purple fixture lead to the (V+) DIM lead.
5. Connect the pink fixture lead to the (V-) DIM lead.
6. Cap the yellow fixture lead, if present. Do **NOT** connect.

NOTE: Do not connect DIM V+ (purple)/ DIM V- (pink) to line voltage or supply ground.

CLEANING & MAINTENANCE

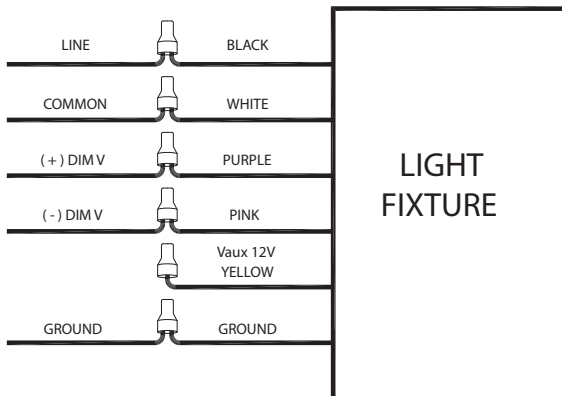
CAUTION: Be sure fixture temperature is cool enough to touch. Do not clean or maintain while fixture is energized.

1. Lens should be washed in a solution of warm water and any mild, non-abrasive household detergent, rinsed with clean water and wiped dry.
2. Do not open fixture to clean the LED. Do not touch the LED.

TROUBLESHOOTING

1. Check that the line voltage at the fixture is correct. Refer to wiring directions.
2. Be sure the fixture is grounded properly.

Fig:11



Note: These instructions do not cover all details or variations in equipment nor do they provide for every possible situation during installation, operation or maintenance.

INSTRUCTIONS

SEAL® FIELD-ADJUSTABLE INSTALLATION



RAB Lighting is committed to creating high-quality, affordable, well-designed and energy-efficient LED lighting and controls that make it easy for electricians to install and end users to save energy. We'd love to hear your comments. Please call the Marketing Department at 888-RAB-1000 or email: marketing@rablighting.com

BATTERY BACKUP MODELS

WIRING

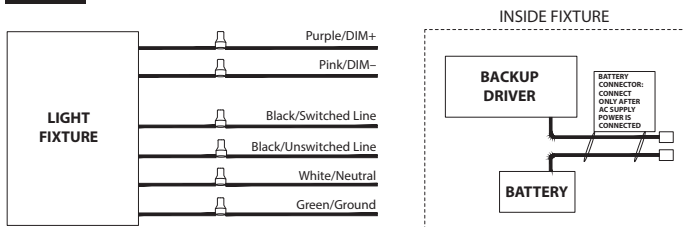
CAUTION: FOR BATTERY BACKUP FIXTURE. Voltage can be present in **BATTERY**. To prevent high voltage from being present on output leads, Inverter connector must be open. Do not join **BATTERY** connector until installation is complete and AC power is supplied to the emergency driver (*Fig.11*).

NOTE: Make sure that the necessary branch circuit wiring is available. An **UNSWITCHED AC** source of power is required. The emergency driver must be fed from the same branch circuit as the LED driver.

CAUTION: Do not use any supply voltage other than 120-277V 50/60 Hz.

1. Connect **UNSWITCHED HOT** fixture lead to **HOT AC** supply line.
2. If using an **UNSWITCHED** circuit, connect **UNSWITCHED** and **SWITCHED** lines together.
3. If using a **SWITCHED** circuit, connect **SWITCHED HOT** AC fixture lead to the external.
4. After installation is complete, supply AC power to the fixture and connect the **BATTERY**.
5. When power is on, the fixture should be on and the **CHARGING INDICATOR LIGHT** should illuminate to indicate the battery is charging.
6. Once the **BATTERY** has charged for at least one hour, a short duration test may be performed by pressing the **Test Button** as shown in Fig. 12.
7. After the battery has charged for 24 hours, a long duration test can be performed by disconnecting power to the fixture.

FIG. 11



Note: These instructions do not cover all details or variations in equipment nor do they provide for every possible situation during installation, operation or maintenance.

OPERATION

1. When AC power is applied the charging indicator light is illuminated indicating that the **BATTERY** is being charged.
2. When power fails the emergency driver automatically switches to emergency power (*internal battery*) operating at reduced illumination.
3. When AC power is restored the emergency driver automatically returns to charging mode.

MAINTENANCE

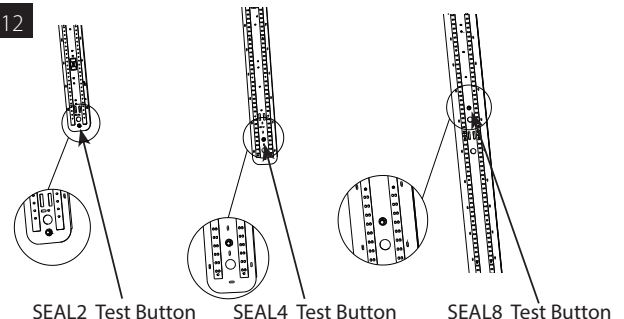
Although no routine maintenance is required to keep the emergency driver functional, it should be checked periodically to ensure that it is working. The following schedule is recommended:

1. Visually inspect the charging indicator light monthly. It should be illuminated
2. Test the emergency operation of the fixture at 30-day intervals for a minimum of 30 seconds.
3. Conduct a 90-minute discharge test once a year. Fixture would operate at reduced illumination for a minimum of 90 minutes.

TROUBLESHOOTING

1. Be sure the fixture is grounded properly.
2. If the charging indicator light does not illuminate after pressing the **Test Button** (*Fig. 12*), check if battery is connected properly. Check AC power.
3. **Test Button:**
 - RED Indicator Light - **On:** Power is on and battery is charging
 - RED Indicator Light - **Off:** Power is off or test button being pressed (battery is discharging)

FIG. 12



Easy Answers

© 2024 RAB LIGHTING Inc.

rablighting.com
Visit our website for product info

Tech Help Line
Call our experts: 888 722-1000

e-mail
Answered promptly - sales@rablighting.com

Free Lighting Layouts
Answered online or by request

SEAL 2ft/4ft/8ft - IN - 0424
P-100118

RAB WARRANTY: RAB's warranty is subject to all terms and conditions found at rablighting.com/warranty.