

INSTRUCTIONS

SAGE™ REED INSTALLATION

RAB®

RAB Lighting is committed to creating high-quality, affordable, well-designed and energy-efficient LED lighting and controls that make it easy for electricians to install and end users to save energy. We'd love to hear your comments. Please call the Marketing Department at 888-RAB-1000 or email: marketing@rablighting.com



Wall Pack



Bollard



Bollard with Accent Ring

IMPORTANT

READ CAREFULLY BEFORE INSTALLING FIXTURE. RETAIN THESE INSTRUCTIONS FOR FUTURE REFERENCE.

RAB fixtures must be wired in accordance with the National Electrical Code and all applicable local codes. Proper grounding is required for safety. THIS PRODUCT MUST BE INSTALLED IN ACCORDANCE WITH THE APPLICABLE INSTALLATION CODE BY A PERSON FAMILIAR WITH THE CONSTRUCTION AND OPERATION OF THE PRODUCT AND THE HAZARDS INVOLVED.

WARNING: Make certain power is OFF before installing or maintaining fixture. No user serviceable parts inside.

CAUTION: For proper weatherproof function all gaskets must be seated properly and all screws inserted and tightened firmly. Apply weatherproof silicone sealant around the edge of the mounting surface and/or Junction Box. This is especially important with an uneven surface.

Suitable for Wet locations.

WALL MOUNT

1. Remove **Fixture Fixing Screws (2)** and separate **Mounting Plate** from the Fixture as shown in Fig. 1.
2. Feed wires through **Gasket** and **Mounting Plate**. Install **Mounting Plate** with **Gasket** to **Junction Box (by others)** using provided **Screws**. Ensure that the **Gasket** is properly placed.
3. Connect the Fixture to the power supply per wiring diagram, Fig. 8. Make electrical connections as shown in wiring diagram. Use approved wiring connectors and wire to local NEC codes.
4. Place Fixture on the **Mounting Plate**, use caution to prevent pinching wires and replace (2) **Fixing Screws**.

FIG. 1

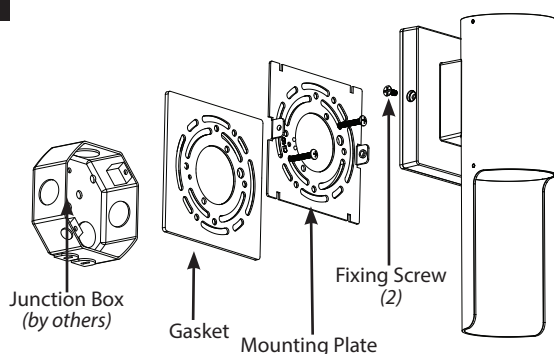
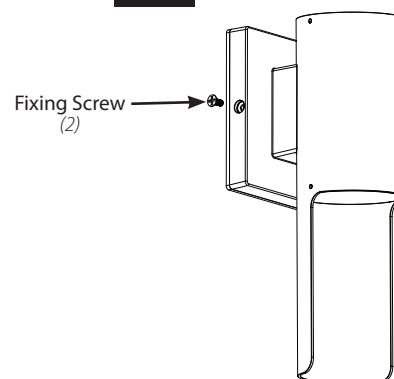


FIG. 2



INSTRUCTIONS

SAGE™ REED INSTALLATION



RAB Lighting is committed to creating high-quality, affordable, well-designed and energy-efficient LED lighting and controls that make it easy for electricians to install and end users to save energy. We'd love to hear your comments. Please call the Marketing Department at 888-RAB-1000 or email: marketing@rablighting.com

BOLLARD (BOTH BOLLARD STYLES)

Caution: Before installation, ensure the Bollard Base is aligned in the correct orientation to achieve the desired bollard fixture position. Suitable for wet locations.

1. The **Bollard** must be installed on a firm, level surface.
2. **Anchor Bolts** may be used for new concrete installations (Fig. 3).
3. For all other applications, use **Anchors** appropriate for the mounting surface.
4. The **Mounting Plate** must be above grade, with a minimum recommended height of 1-3/4 inches (Fig. 4).

FIG. 3

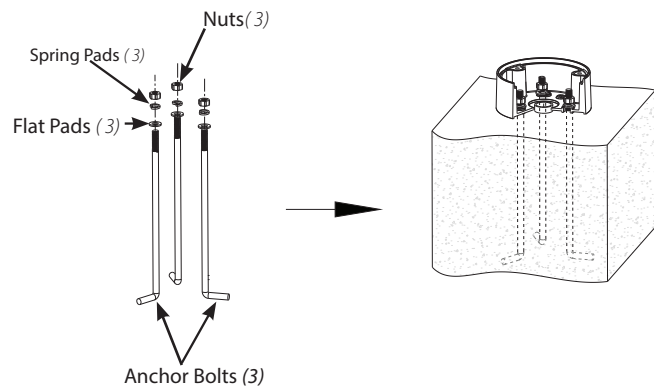
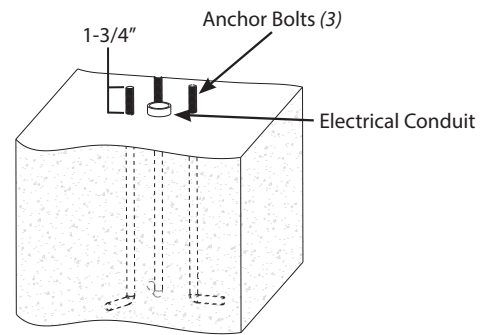


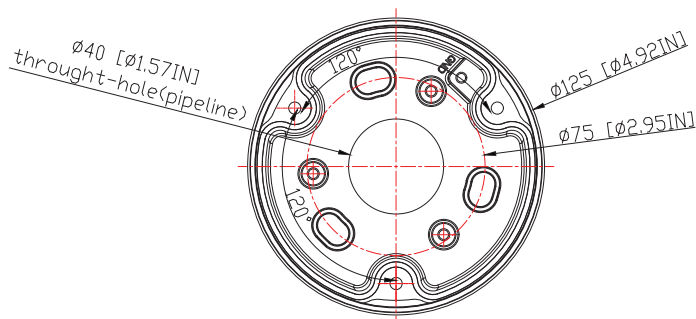
FIG. 4



ANCHOR BOLT TEMPLATE

CAUTION: Install in accordance with all applicable codes. Install the **Anchor Bolts** in the concrete foundation (*by others*). The **Bollard Base** may also be used as the template. The bolt threads should protrude from the concrete by approximately 1-3/4 inches (Fig. 4). The **Mounting Plate** must be above grade, with a minimum recommended height of 1-3/4 inches. Drawing not to scale. Use actual **Mounting Plate** as your template (Fig. 5).

FIG. 5



BOLLARD BASE

1. Remove the (3) **Screws** at the bottom of the housing to separate the **Bollard Base** from the housing (Fig. 6).
2. If leveling is required, wedges or spacers (*by others*) may be used under the **Mounting Plate**.
3. Make electrical connections as shown in wiring diagram (Fig. 8). Use approved wiring connectors and wire to local NEC codes. Push all wires back into Housing.
4. Slide the housing onto the **Bollard Base** and secure it with the (3) **Screws** (Fig. 7). Use caution not to pinch wires.

FIG. 6

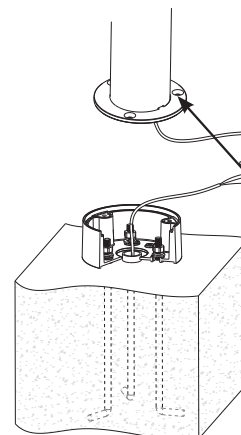
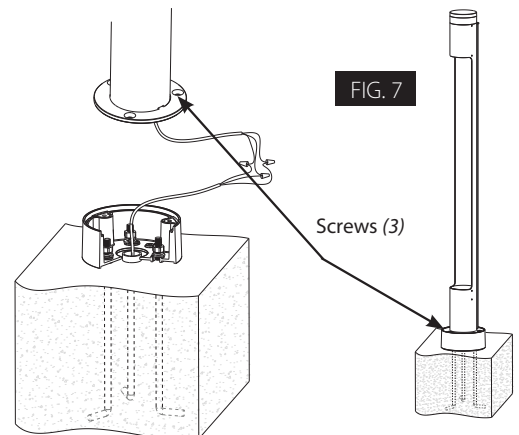


FIG. 7

Screws (3)



INSTRUCTIONS

SAGE™ REED INSTALLATION



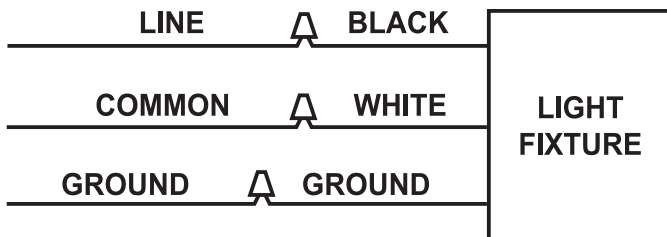
RAB Lighting is committed to creating high-quality, affordable, well-designed and energy-efficient LED lighting and controls that make it easy for electricians to install and end users to save energy. We'd love to hear your comments. Please call the Marketing Department at 888-RAB-1000 or email: marketing@rablighting.com

WIRING

Universal voltage driver permits operation at 120V through 277V 50/60 Hz. See Fig. 8 for wiring diagram.

1. Connect the black fixture lead to the **LINE** supply lead.
2. Connect the white fixture lead to the **COMMON** supply lead.
3. Connect the **GROUND** wire from fixture to supply GROUND.

FIG. 8



CLEANING & MAINTENANCE

CAUTION: Be sure fixture temperature is cool enough to touch. Do not clean or maintain while fixture is energized.

1. Clean lens with non-abrasive cleaning solution.
2. Do not open the fixture to clean the LED. Do not touch the LED.

TROUBLESHOOTING

1. Check that the line voltage at the fixture is correct. Refer to wiring diagram.
2. Be sure the fixture is grounded properly.

Note: These instructions do not cover all details or variations in equipment nor do they provide for every possible situation during installation, operation or maintenance.



Easy Answers

rablighting.com
Visit our website for product info

Tech Help Line
Call our experts: 888 722-1000

e-mail
Answered promptly - tech@rablighting.com

Free Lighting Layouts
Answered online or by request