

INSTRUCTIONS

PROTEMP INSTALLATION



RAB Lighting is committed to creating high-quality, affordable, well-designed and energy-efficient LED lighting and controls that make it easy for electricians to install and end users to save energy. We'd love to hear your comments. Please call the Marketing Department at 888-RAB-1000 or email: marketing@rablighting.com



PROTEMP-100



PROTEMP-150

IMPORTANT

READ CAREFULLY BEFORE INSTALLING FIXTURE. RETAIN THESE INSTRUCTIONS FOR FUTURE REFERENCE.

RAB fixtures must be wired in accordance with the National Electrical Code and all applicable local codes. Proper grounding is required for safety. THIS PRODUCT MUST BE INSTALLED IN ACCORDANCE WITH THE APPLICABLE INSTALLATION CODE BY A PERSON FAMILIAR WITH THE CONSTRUCTION AND OPERATION OF THE PRODUCT AND THE HAZARDS INVOLVED.

WARNING:

- When using product, basic precautions should always be followed.
- Read and follow these instructions and observe all warnings.
- Carefully read and understand the information given in this manual before beginning installation. Failure to do so could lead to electric shock, fire, or other injuries which could be hazardous or even fatal.
- Save these instructions and warnings.

CAUTION:

- Make sure the distances between live part and metal part of the device can satisfy reinforce or double insulation.
- Before intallation and maintenance of the device, please disconnect the power to prevent electric shock.
- The LED temporary light string must be intalled in an appropriate environment, operating in harsh environments may shorten the lifespan or enen damage the device.
- Please keep the device away from any corrosive substance, clean with dry cloth only.
- To ensure personal safety, please make sure the device is staying firmly and securely when install on high places.

This equipment has been tested and found to comply with the limits for a Class B digital device, pursuant to part 15 of the FCC Rules. These limits are designed to provide reasonable protection against harmful interference in a residential installation. This equipment generates, uses and can radiate radio frequency energy and, if not installed and used in accordance with the instructions, may cause harmful interference to radio communications. However, there is no guarantee that interference will not occur in a particular installation. If this equipment does cause harmful interference to radio or television reception, which can be determined by turning the equipment off and on, the user is encouraged to try to correct the interference by one or more of the following measures:

- Reorient or relocate the receiving antenna.
- Increase the separation between the equipment and receiver.
- Connect the equipment into an outlet on a circuit different from that to which the receiver is connected.
- Consult the dealer or an experienced radio/TV technician for help.

PRODUCT INFORMATION

Power(Selectable)	Voltage	Current@120V	Lumen	Wet Locations only when cover closed
100W/50W	AC 120-277V	0.84A	12000 lm/6000lm	
150W/75W	AC 120-277V	1.28A	18000 lm/9000lm	

Application: Suitable for construction sites or any other location requiring a temporary light .

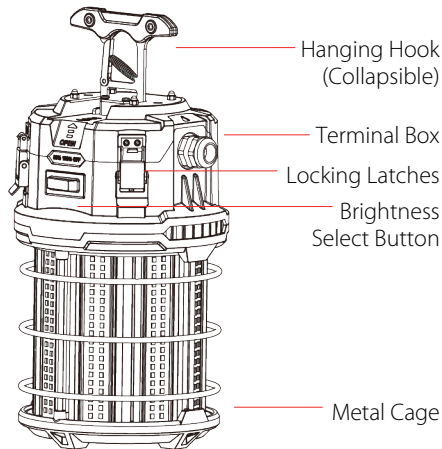
INSTRUCTIONS

PROTEMP INSTALLATION



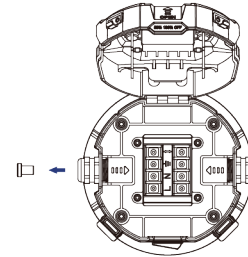
RAB Lighting is committed to creating high-quality, affordable, well-designed and energy-efficient LED lighting and controls that make it easy for electricians to install and end users to save energy. We'd love to hear your comments. Please call the Marketing Department at 888-RAB-1000 or email: marketing@rablighting.com

INSTRUCTIONS



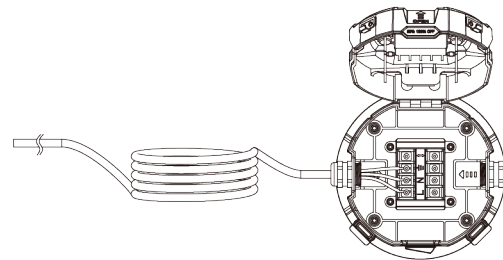
- Loosen the waterproof connector counter clock wise, and take out the waterproof rubber plug at the required connection position (Fig. 3)

Fig: 3



- Install the cable on the wiring seat with the cross nut. Pay attention to distinguishing the polarity of the wire (the cable needs to pass through the waterproof nut) (Fig. 4)

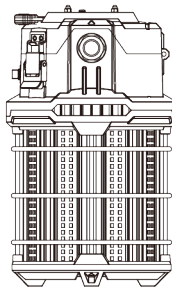
Fig: 4



WIRING

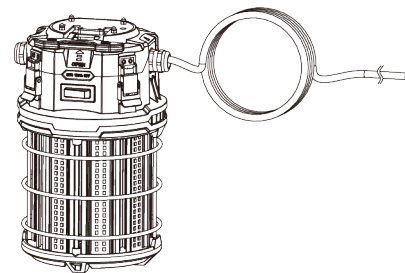
- Check whether the appearance of the fixture is in good condition (Fig. 1)

Fig: 1



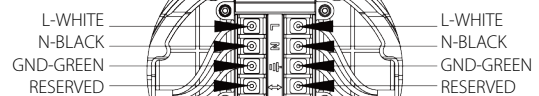
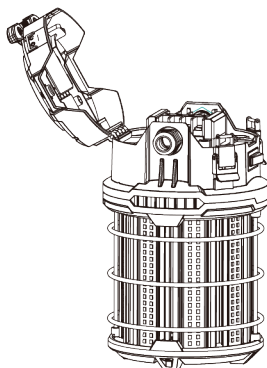
- After confirmation, tighten the waterproof nut, close the terminal cover, and fasten the 2 locking latches, wire installation completed (Fig. 5)

Fig: 5



- Unlock the 2 locking latches, and open the terminal box cover (Fig. 2)

Fig: 2



*Reserved terminals not to be used for direct wiring

INSTRUCTIONS

PROTEMP INSTALLATION



RAB Lighting is committed to creating high-quality, affordable, well-designed and energy-efficient LED lighting and controls that make it easy for electricians to install and end users to save energy. We'd love to hear your comments. Please call the Marketing Department at 888-RAB-1000 or email: marketing@rablighting.com

HOOK INSTALLATION

Check whether the appearance of the fixture is in good condition (Fig. 6, Fig. 7, Fig. 8)

Fig: 6

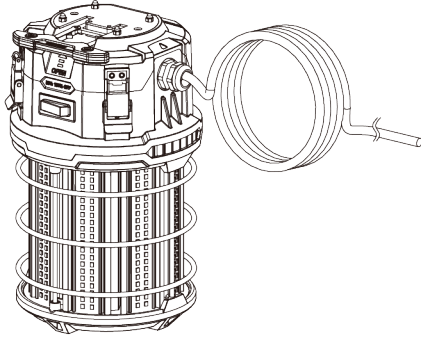


Fig: 7

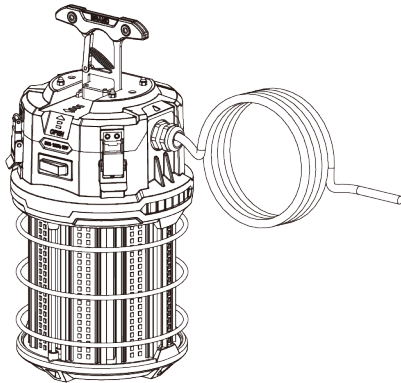
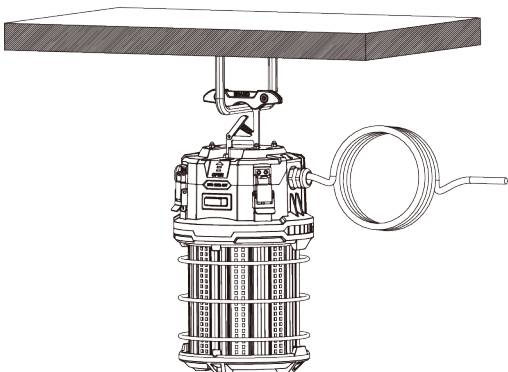
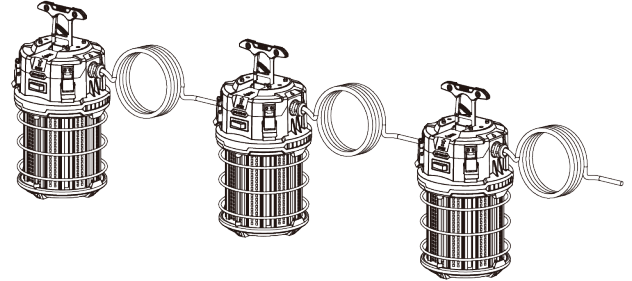


Fig: 8



LINKABLE



Wattage	Maximum Linkable Quantities (120V)			
	18/2 18/3AWG	16/2 16/3AWG	14/2 14/3AWG	12/2 12/3AWG
100W	8PCS	10PCS	12PCS	14PCS
150W	6PCS	7PCS	8PCS	10PCS

Wattage	Maximum Linkable Quantities (277V)			
	18/2 18/3AWG	16/2 16/3AWG	14/2 14/3AWG	12/2 12/3AWG
100W	16PCS	20PCS	24PCS	28PCS
150W	12PCS	14PCS	16PCS	20PCS

Wattage	Maximum Linkable Quantities (120V)			
	18/2 18/3AWG	16/2 16/3AWG	14/2 14/3AWG	12/2 12/3AWG
100W	24M/80ft	30M/100ft	36M/120ft	42M/140ft
150W	18M/60ft	21M/70ft	24M/80ft	30M/100ft

Wattage	Maximum Linkable Quantities (277V)			
	18/2 18/3AWG	16/2 16/3AWG	14/2 14/3AWG	12/2 12/3AWG
100W	48M/160ft	60M/200ft	72M/240ft	84M/280ft
150W	36M/120ft	42M/140ft	48M/160ft	60M/200ft

INSTRUCTIONS

PROTEMP INSTALLATION



RAB Lighting is committed to creating high-quality, affordable, well-designed and energy-efficient LED lighting and controls that make it easy for electricians to install and end users to save energy. We'd love to hear your comments. Please call the Marketing Department at 888-RAB-1000 or email: marketing@rablighting.com

CLEANING & MAINTENANCE

CAUTION: Be sure fixture temperature is cool enough to touch.
Do not clean or maintain while fixture is energized.

1. Turn power OFF.
2. Use a soft cloth and a mild, non-abrasive glass cleaner.
3. Lightly wipe and clean the fixture.

DO NOT use solvents.

DO NOT use cleaners containing abrasive ingredients.

NEVER spray cleaning liquid directly onto the LEDs, fixture, or wiring.

TROUBLESHOOTING

Problem	Probable Cause	Solution
Fixture does not turn on.	Bad connection.	Check wiring connections.
	Faulty switch.	Test switch or replace it.
	Power is off.	Verify power supply is on.
Circuit breaker trips or fuse blows when light is turned on.	Discontinue use immediately.	Call an electrician.

Note: These instructions do not cover all details or variations in equipment nor do they provide for every possible situation during installation, operation or maintenance.