

# INSTRUCTIONS

## PLAYER ONE™ INSTALLATION



RAB Lighting is committed to creating high-quality, affordable, well-designed and energy-efficient LED lighting and controls that make it easy for electricians to install and end users to save energy. We'd love to hear your comments. Please call the Marketing Department at 888-RAB-1000 or email: [marketing@rablighting.com](mailto:marketing@rablighting.com)



### IMPORTANT

**READ CAREFULLY BEFORE INSTALLING FIXTURE. RETAIN THESE INSTRUCTIONS FOR FUTURE REFERENCE.**

RAB fixtures must be wired in accordance with the National Electrical Code and all applicable local codes. Proper grounding is required for safety. THIS PRODUCT MUST BE INSTALLED IN ACCORDANCE WITH THE APPLICABLE INSTALLATION CODE BY A PERSON FAMILIAR WITH THE CONSTRUCTION AND OPERATION OF THE PRODUCT AND THE HAZARDS INVOLVED.

**WARNING: Make certain power is OFF before installing or maintaining fixture. No user serviceable parts inside.**

**CAUTION: For proper weatherproof function all gaskets must be seated properly and all screws inserted and tightened firmly. Silicone all plugs and unused conduit entries.**

- DO NOT make or alter any open holes in the luminaire. Do not modify the luminaire.
- Risk of eye injury! Eye protection is required at all times during the installation, operation, and maintenance of the luminaire.
- The high intensity light produced by the luminaire can cause severe damage to the eye if viewed directly at close range. Avoid being in front of a luminaire that is on or wear suitable light blocking protective eye wear such as welding goggles. The luminaire should be positioned so that prolonged staring into the luminaire at a distance closer than 33 feet is not expected.
- NEVER point the aiming laser at any person or animal as it can cause permanent damage to eyes. Use laser only for aiming fixtures as directed.
- CAUTION - RISK OF FIRE.
- This product is not available for several special environments, such as places with corrosive gas liquids or high pressure water vapor.
- This luminaire is designed to operate in ambient temperatures ranging from -40°C to 50°C (-40°F to 122°F).
- Note that cables are connected in sequence to distinguish wiring "LED+" and "LED-"

**CAUTION WHEN USING THE LASER AIMING ASSEMBLY, NEVER LOOK DIRECTLY INTO THE LASER BEAM (sold separately).**

# INSTRUCTIONS

## PLAYER ONE™ INSTALLATION



RAB Lighting is committed to creating high-quality, affordable, well-designed and energy-efficient LED lighting and controls that make it easy for electricians to install and end users to save energy. We'd love to hear your comments. Please call the Marketing Department at 888-RAB-1000 or email: [marketing@rablighting.com](mailto:marketing@rablighting.com)

### POWER BOX MOUNTING PLATE

1. Mount **Power Box Mounting Plate** and securely fasten with included hardware (*Fig. 1*).
2. Align the center hole of the **Horizontal Aiming Protractor** and the (*Yoke*) **Mounting Bracket**, attach the horizontal **Aiming Protractor** to the bracket.
3. Secure **Visor** on fixture with (3) **PM5\*8-SS Screws** (*provided*) as shown in *Fig. 2*
4. **Optional Aiming Laser/Assembly**, loosen (2) **CM4\*25 Screws** from **Aiming Laser Assembly** (*sold separately*); attach the **Aiming Laser Assembly** in the **Keyhole Slots** and tighten (2) **Screws** (*Fig. 3*).
5. Drill appropriate knockout according to the size of the **Mounting Bracket**.
6. Set fixture in place and install **3/4in Bolt**, **Flat Washers**, **Spring Washer** and **Nut** to securely fasten the fixture **Mounting Bracket** to the mounting structure. A secondary 3/8in diameter corrosion resistant steel bolt with nut, flat and locking washers shall be used to lock the position. **Do not fully tighten the hardware until the fixture is aimed.**
7. Attach the **Power Box** to the **Mounting Plate** with (4) **CM6\*16 Screws** (*Fig. 4*). Complete the wiring according to the wiring diagram with the water proof terminal, tighten the **Screw**.
8. After aiming is complete, tighten all **Bolts** and **Screws** on side of fixture and mounting hardware.

Fig: 1

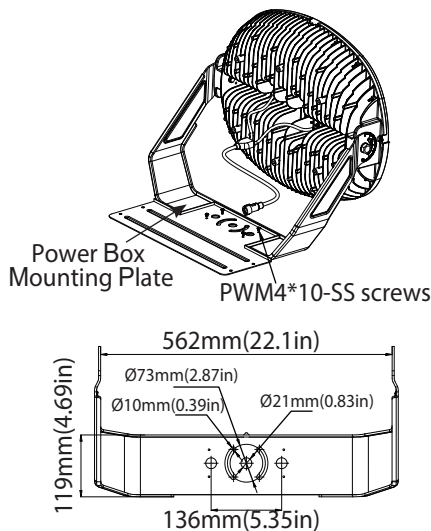


Fig: 2

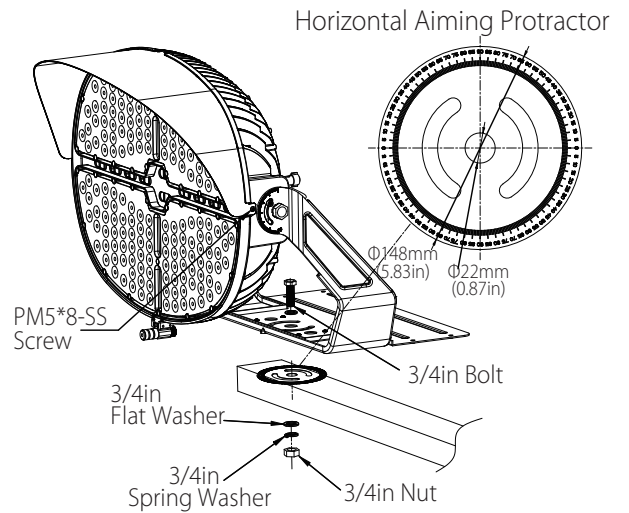


Fig: 3

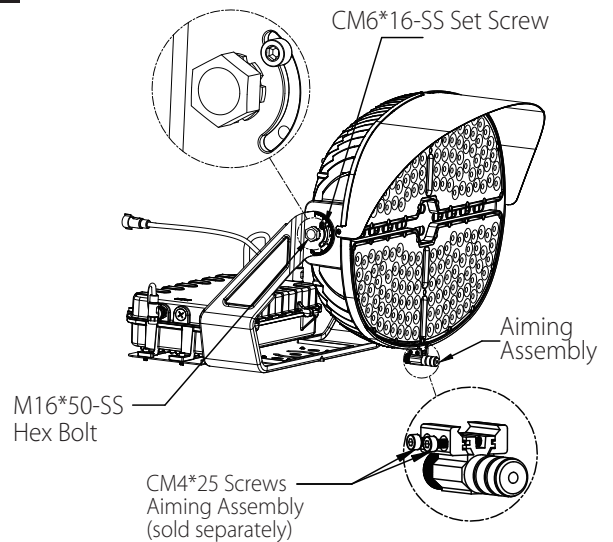
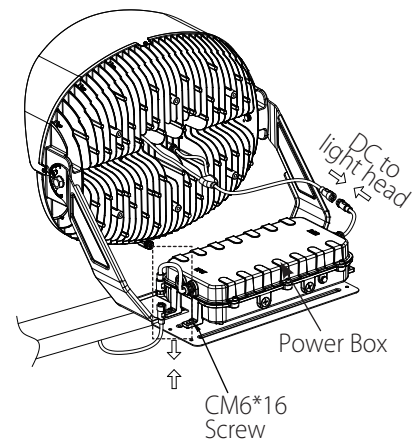


Fig: 4



# INSTRUCTIONS

## PLAYER ONE™ INSTALLATION

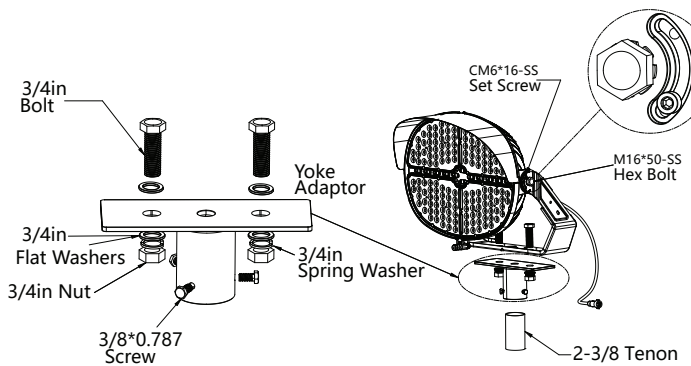


RAB Lighting is committed to creating high-quality, affordable, well-designed and energy-efficient LED lighting and controls that make it easy for electricians to install and end users to save energy. We'd love to hear your comments. Please call the Marketing Department at 888-RAB-1000 or email: marketing@rablighting.com

### POLE-TENON ADAPTOR

1. Secure **Visor** on fixture with (3) **Screws** (included).
2. Secure the **Yoke** on the **Mounting Bracket** with (2) 3/4in **Bolt**, **Spring Washers** and **Nut**. Install the **Pole-Tenon Adaptor** onto the 2-3/8 Tenon, secure with (3) **Screws** (Fig. 5).
3. Complete the wiring according to wiring diagram with the water proof terminal.
4. Slightly loosen the fixture aiming screws just enough to allow the fixture to rotate and tilt. **Optional Laser Aiming Assembly** may be used for precision positioning.
5. After aiming is complete, tighten all **Bolts** and **Screws**.

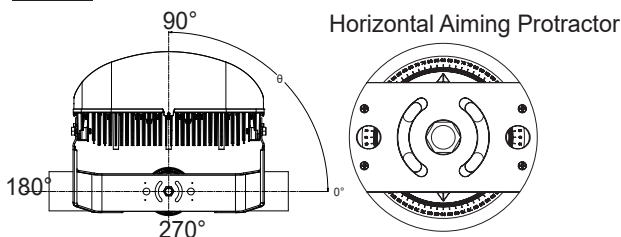
Fig: 5



### POSITION - TILT

The Position/Tilt angle refers to the direction of the fixture aiming Left/Right, Up/Down see Fig. 7.

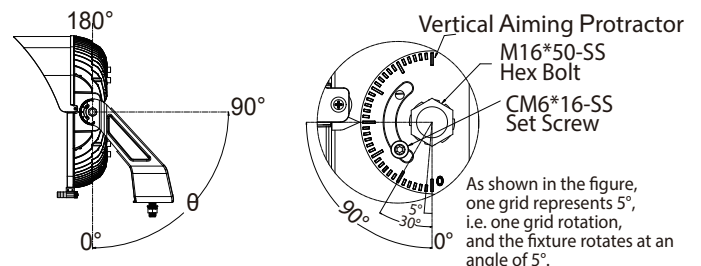
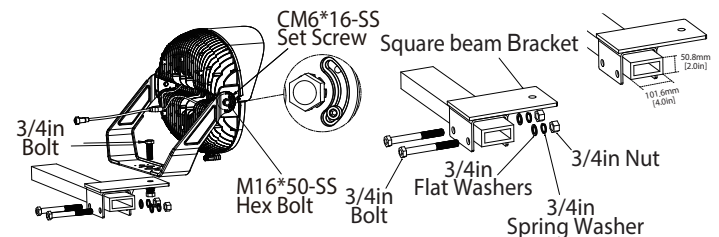
Fig: 7



### MOUNTING BRACKET W/ SQUARE BEAM

1. Align the center hole of the **Horizontal Aiming Protractor** and the **Mounting Bracket** and attach the **Horizontal Aiming Protractor** to the **Bracket** (Fig. 6).
2. **Optional Laser Aiming Assembly** may be attached for precision aiming. Loosen (2) CM4\*25 **Screws** from aiming assembly (sold separately); attach the aiming **Laser Aiming Assembly** in the Keyhole Slots and tighten (2) **Screws**.
3. Secure **Visor** on fixture with (3) PM5\*8-SS **Screws**.
4. Place **Square Beam Mounting Bracket** on top of cross arm (by others). Insert both clamping **Hex Bolts** through the **Bracket** and secure with **Washers** and **Hex Nuts**.
5. Set fixture in place and install **Bolt**, **Flat Washers**, **Spring Washer** and **Nut** to securely fasten the fixture **Mounting Bracket** to the **Square Beam Mounting Bracket**. A secondary 3/8 in diameter **Bolt** with **Nut**, **Flat** and **Locking Washers** shall be used to lock the position. Do not fully tighten the hardware until the fixture aiming is completed.
6. Complete the wiring according to the wiring diagram with the water proof terminal.
7. After aiming is complete, tighten all **Bolts** and **Screws**.

Fig: 6



# INSTRUCTIONS

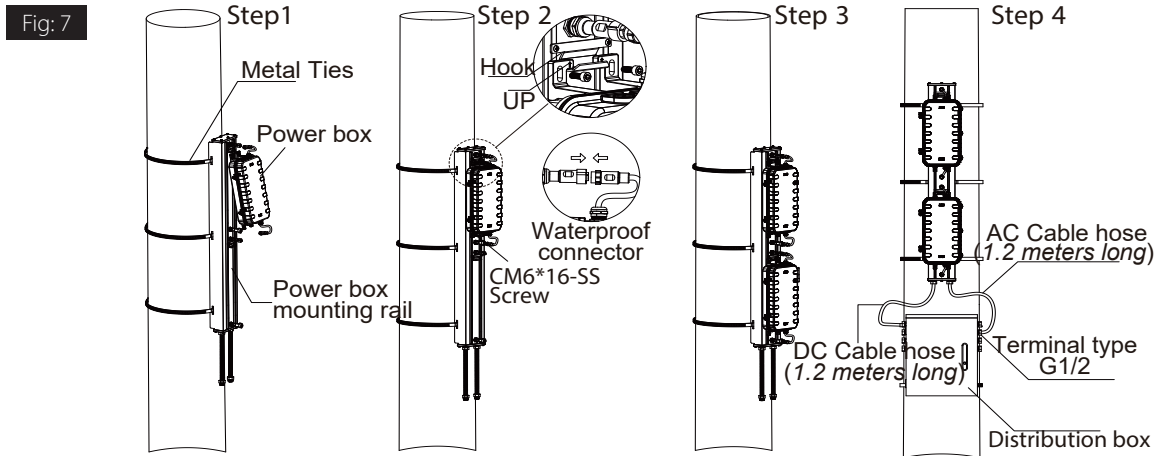
## PLAYER ONE™ INSTALLATION



RAB Lighting is committed to creating high-quality, affordable, well-designed and energy-efficient LED lighting and controls that make it easy for electricians to install and end users to save energy. We'd love to hear your comments. Please call the Marketing Department at 888-RAB-1000 or email: [marketing@rablighting.com](mailto:marketing@rablighting.com)

### REMOTE POWER BOX

1. Secure **Power Box Mounting Rail** to the light Pole using 3 metal cable ties (*sold separately or by others*) Fig.7.
2. Hang the **Power Box** on hook on the **Mounting Rail** (*note the arrow direction is facing up*), lock the screws and then connect the input **Waterproof Connector** and the output **Waterproof Connector** respectively.
3. The **Power Box Mounting Rail** receives AC power up from the **Distribution Box** and outputs DC that is fed back down into the **Distribution Box**.
4. The **Power Box Mounting Rail** AC and DC cables will be through 1.2m metal hoses and terminals and terminated directly to the **Distribution Box**.



### ACCESSORY LIST

Diagram	Quantity	Diagram	Quantity
① Battery (Sold separately)	3 pcs	⑨ 3/4in Bolt	1 pc
② Laser aiming assembly (Sold separately)	1 set (Two parts, aiming head and cover)	⑩ 3/4in Flat Washers	2 pcs
③ Hexagon key (Sold separately)	2 pcs	⑪ 3/4in Spring Washer	1 pc
④ PM5*8 screws	3 pcs	⑫ 3/4in Nut	1 pc
⑤ CM6*18 screws	4 pc	⑬ 3/8in Spring Washer	1 pc
⑥ PWM4*6-SS screws	4 pc	⑭ 3/8in Nut	1 pc
⑦ Visor	1 pc	⑮ 3/8in Bolt	1 pc
⑧ Horizontal aiming protractor	1 pc	⑯ 3/8in Flat Washers	2 pcs
⑰ SOW Cable Line (300mm with LY-176 M15 Connector)			1 pc

# INSTRUCTIONS

## PLAYER ONE™ INSTALLATION

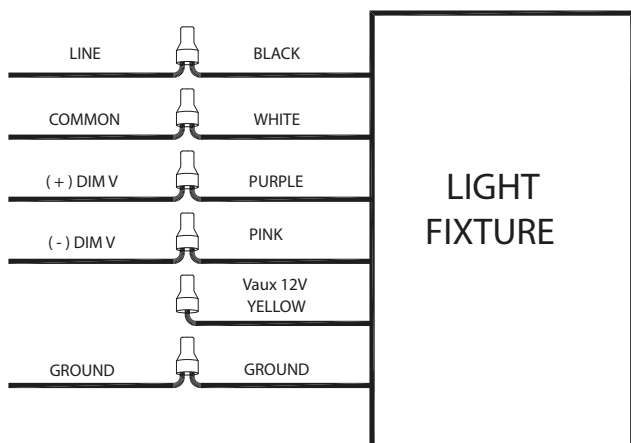


RAB Lighting is committed to creating high-quality, affordable, well-designed and energy-efficient LED lighting and controls that make it easy for electricians to install and end users to save energy. We'd love to hear your comments. Please call the Marketing Department at 888-RAB-1000 or email: [marketing@rablighting.com](mailto:marketing@rablighting.com)

### 0-10V DIMMABLE WIRING

Universal voltage driver permits operation at 120V through 277V, 50 or 60 Hz. For 0-10V dimming follow the wiring directions as shown in Fig. X.

1. Connect the black fixture lead to the **LINE** supply lead.
2. Connect the white fixture lead to the **COMMON** supply lead.
3. Connect the **GROUND** wire from fixture to supply ground. Do **NOT** connect the **GROUND** of the dimming fixture to the output.
4. Connect the purple fixture lead to the (V+) DIM lead.
5. Connect the pink fixture lead to the (V-) DIM lead.
6. Cap the yellow fixture lead, if present. Do **NOT** connect.



### TROUBLESHOOTING

1. Check that the line voltage at the fixture is correct. Refer to wiring directions.
2. Is the fixture grounded properly?

### CLEANING & MAINTENANCE

**CAUTION:** Be sure fixture temperature is cool enough to touch. Do not clean or maintain while fixture is energized.

1. Clean lens with non-abrasive cleaning solution.
2. Do not open fixture to clean the LED. Do not touch the LED.

**Note:** These instructions do not cover all details or variations in equipment nor do they provide for every possible situation during installation, operation or maintenance.



© 2025 RAB LIGHTING Inc.  
PLAYER-ONE - IN - 1224  
P-101502

#### Easy Answers

[rablighting.com](http://rablighting.com)  
Visit our website for product info

**Tech Help Line**  
Call our experts: 888 722-1000

**e-mail**  
Answered promptly - [sales@rablighting.com](mailto:sales@rablighting.com)

**Free Lighting Layouts**  
Answered online or by request

**RAB WARRANTY:** RAB's warranty is subject to all terms and conditions found at [rablighting.com/warranty](http://rablighting.com/warranty).