

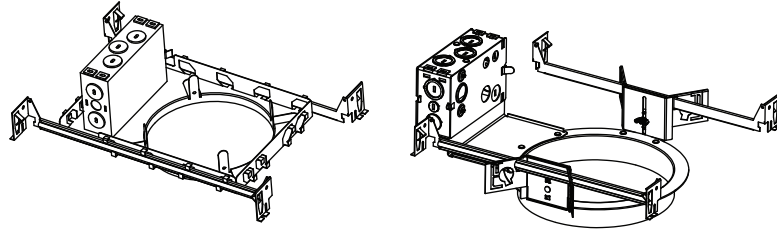
INSTRUCTIONS

Commercial Downlight Frame



RAB Lighting is committed to creating high-quality, affordable, well-designed and energy-efficient LED lighting and controls that make it easy for electricians to install and end users to save energy. We'd love to hear your comments. Please call the Marketing Department at 888-RAB-1000 or email: marketing@rablighting.com

DLFRAME/C6R
DLFRAME/C8R



IMPORTANT

READ CAREFULLY BEFORE INSTALLING FIXTURE. RETAIN THESE INSTRUCTIONS FOR FUTURE REFERENCE.

RAB fixtures must be wired in accordance with the National Electrical Code and all applicable local codes. Proper grounding is required for safety. THIS PRODUCT MUST BE INSTALLED IN ACCORDANCE WITH THE APPLICABLE INSTALLATION CODE BY A PERSON FAMILIAR WITH THE CONSTRUCTION AND OPERATION OF THE PRODUCT AND THE HAZARDS INVOLVED.

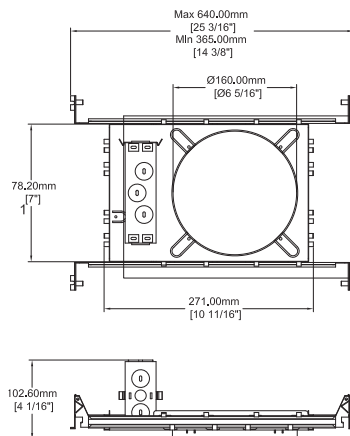
WARNING - Wear safety gloves and other appropriate safety equipment.

INSTALLATION

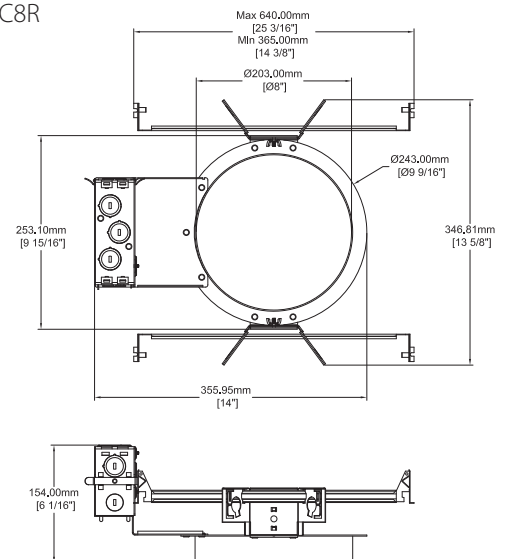
1. Turn off power at circuit breaker before attempting to install.
2. Wood joist mounting: Extend bar hangers to fit between joist. Line up bottom edge of mounting frame with the bottom of joist. Knock the frame to the joist.
Suspended ceiling: location the T-bar slots near the end of the bar hanger. Bend tabs out, slip over T-bar, press tab back against the T-bar to secure.

DIMENSIONAL DRAWINGS

DLFRAME/C6R



DLFRAME/C8R



Note: These instructions do not cover all details or variations in equipment nor do they provide for every possible situation during installation, operation or maintenance.



Easy Answers

rablighting.com
Visit our website for product info

Tech Help Line
Call our experts: 888 722-1000

e-mail
Answered promptly - sales@rablighting.com

Free Lighting Layouts
Answered online or by request