

INSTRUCTIONS

A34™ FIELD-ADJUSTABLE AREA LIGHT INSTALLATION



RAB Lighting is committed to creating high-quality, affordable, well-designed and energy-efficient LED lighting and controls that make it easy for electricians to install and end users to save energy. We'd love to hear your comments. Please call the Marketing Department at 888-RAB-1000 or email: marketing@rablighting.com



IMPORTANT

READ CAREFULLY BEFORE INSTALLING FIXTURE. RETAIN THESE INSTRUCTIONS FOR FUTURE REFERENCE.

RAB fixtures must be wired in accordance with the National Electrical Code and all applicable local codes. Proper grounding is required for safety. THIS PRODUCT MUST BE INSTALLED IN ACCORDANCE WITH THE APPLICABLE INSTALLATION CODE BY A PERSON FAMILIAR WITH THE CONSTRUCTION AND OPERATION OF THE PRODUCT AND THE HAZARDS INVOLVED.

WARNINGS:

• Make certain power is OFF before installing or maintaining fixture. No user serviceable parts inside.

• To prevent wiring damage or abrasion, do not expose wiring to edges of sharp objects.

CAUTION: For proper weatherproof function, all gaskets must be seated properly and all screws inserted and tightened firmly.

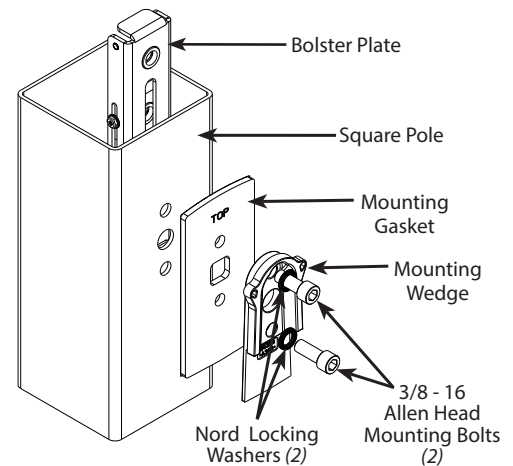
Suitable for wet locations. Min. 90°C Supply Conductors.

NOT SUITABLE FOR UPLIGHTING WHEN INSTALLED IN WET AREAS.

SECURING MOUNTING WEDGE TO SQUARE POLE

1. Refer to the **POLE DRILLING DETAIL** to mark and drill mounting holes in the **Square Pole** as shown in Fig. 14.
2. Line up **Bolster Plate**, **Mounting Gasket** and **Mounting Wedge** (*provided*) with drilled holes on **Pole** as shown in Fig.1.
3. Secure the **Bolster Plate**, **Mounting Gasket** and **Mounting Wedge** to **Pole** with (2) **Nord Locking Washers** (*provided*) and **3/8-16 Allen Head** (2) **Mounting Bolts** (*provided*). Do NOT tighten **Mounting Bolts** all the way.
4. Be sure that the **Mounting Gasket** and **Mounting Wedge** are seated properly.
5. Feed supply wires from **Square Pole** through center of **Mounting Gasket** and **Mounting Wedge**.

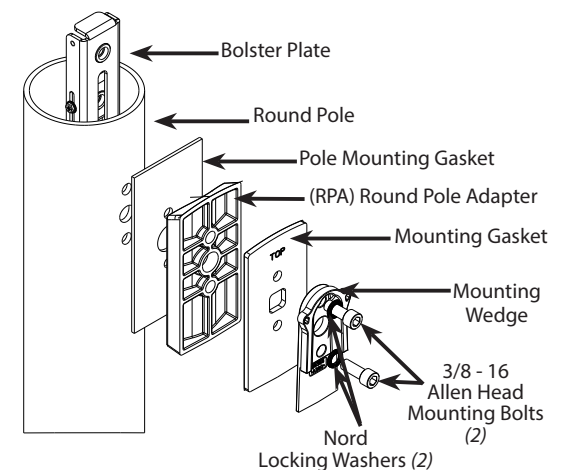
FIG. 1



SECURING MOUNTING WEDGE TO ROUND POLE

1. Refer to the **POLE DRILLING DETAIL** to mark and drill mounting holes in the **Round Pole** as shown in Fig. 15.
2. Line up **Bolster Plate**, **Pole Mounting Gasket**, (**RPA**) **Round Pole Adapter**, **Mounting Gasket** and **Mounting Wedge** (*provided*) with drilled holes on **Round Pole** as shown in Fig. 2.
3. Secure the **Bolster Plate**, **Pole Mounting Gasket**, (**RPA**) **Round Pole Adapter**, **Mounting Gasket** and **Mounting Wedge** to **Pole** with (2) **Nord Locking Washers** (*provided*) and **3/8-16 Allen Head** (2) **Mounting Bolts** (*provided*). Do NOT tighten **Mounting Bolts** all the way.
4. Be sure that the **Pole Mounting Gasket**, (**RPA**) **Round Pole Adapter**, **Mounting Gasket** and **Mounting Wedge** are seated properly.
5. Feed supply wires from **Round Pole** through center of **Mounting Wedge**, **Mounting Gasket**, (**RPA**) **Round Pole Adapter** and **Pole Mounting Gasket**.

FIG. 2



INSTRUCTIONS

A34™ FIELD-ADJUSTABLE AREA LIGHT INSTALLATION



RAB Lighting is committed to creating high-quality, affordable, well-designed and energy-efficient LED lighting and controls that make it easy for electricians to install and end users to save energy. We'd love to hear your comments. Please call the Marketing Department at 888-RAB-1000 or email: marketing@rablighting.com

MOUNTING FIXTURE TO SQUARE/ROUND POLE

1. Slide the **Fixture** onto the **Mounting Wedge** as shown in Fig. 3.
2. Ensure that the **Fixture** is properly seated on the **Mounting Wedge**.
3. Open **Arm Cover** by loosening (1) **Arm Cover Screw** and allow the **Arm Cover** to swing open (Fig. 3).
4. Secure the **Fixture** to the **Mounting Wedge** by tightening (2) **Mounting Wedge Screws**.
5. Wire the **Fixture** leads to the supply wires using UL listed wire connectors according to NEC and local codes (Fig. 16).

To finish square pole or round pole mount follow instructions below:

SQUARE POLE MOUNT

1. Tighten **Mounting Bolts** (2) to fully compress the **Mounting Gasket** against the **Square Pole** and secure **Fixture** to **Mounting Wedge** (Fig. 1).
2. Replace the **Arm Cover** and secure with (1) **Arm Cover Screw**. Be sure not to pinch the wires (Fig. 3).

ROUND POLE MOUNT

1. Tighten **Mounting Bolts** (2) to fully compress the **Pole Mounting Gasket**, (**RPA**) **Round Pole Adapter**, **Mounting Gasket** and **Mounting Wedge** against the **Round Pole** and secure **Fixture** to **Mounting Wedge** (Fig. 2).
2. Replace **Arm Cover** and secure with (1) **Arm Cover Screw**. Be sure not to pinch the wires (Fig. 3).

SLIPFITTER MOUNTING

WARNING: RISK OF SERIOUS INJURY OR DEATH!
DO NOT MOUNT THE SLIPFITTER TO A TENON OR BRACKET THAT IS MORE THAN 20 DEGREES FROM VERTICAL. MOUNTING ANY ANGLE OTHER THAN 0-20° DEGREES INCREASES THE RISK OF DISENGAGEMENT AND/OR FAILURE OF THE SLIPFITTER. INSTALL THE POLE ON A SECURE BASE OR INSTALL THE BRACKET TO A WALL FIRST, THEN PLACE LUMINAIRE ONTO THE POLE OR BRACKET. **DO NOT LIFT ASSEMBLED LUMINAIRE AND POLE, OR LUMINAIRE AND BRACKET, LUMINAIRE OR POLE/BRACKET MAY DISENGAGE.**

1. The **Slipfitter** fits a 2 3/8" O.D. **Tenon**. Feed the supply wires from the **Pole** through the **Slipfitter**. Place the **Slipfitter** over the **Tenon** and secure with **Set Screws** (2) on the side of the **Slipfitter** (Fig. 4).
2. Attach the **Mounting Gasket** and **Mounting Wedge** to the **Slipfitter** with (2) **Nord Locking Washers** (provided) and 3/8-16 **Allen Head** (2) **Mounting Bolts** (provided). DO NOT tighten **Mounting Bolts** all the way (Fig. 5).

FIG. 3

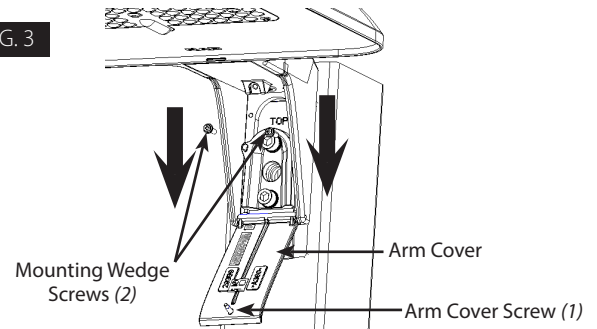


FIG. 4

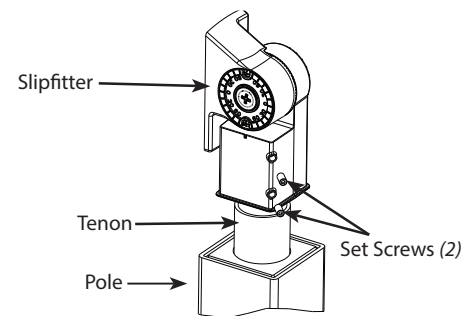


FIG. 5

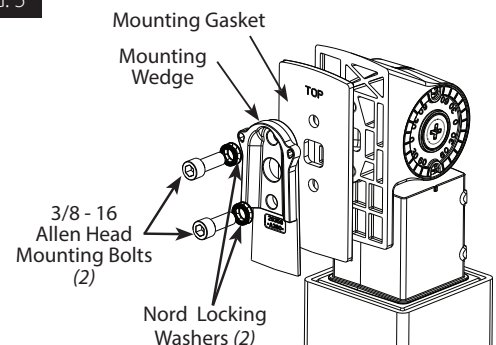
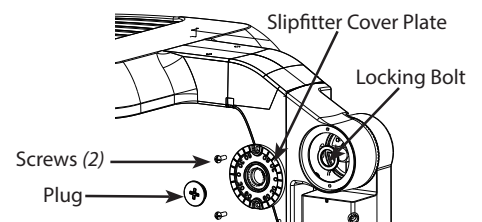


FIG. 6



INSTRUCTIONS

A34™ FIELD-ADJUSTABLE AREA LIGHT INSTALLATION



RAB Lighting is committed to creating high-quality, affordable, well-designed and energy-efficient LED lighting and controls that make it easy for electricians to install and end users to save energy. We'd love to hear your comments. Please call the Marketing Department at 888-RAB-1000 or email: marketing@rablighting.com

SLIPFITTER MOUNTING (cont'd)

3. Be sure that the **Mounting Gasket** and **Mounting Wedge** are seated properly.
4. Slide the **Fixture** onto the **Mounting Wedge** as shown in Fig. 3. Ensure that the fixture is properly seated on the **Mounting Wedge**.
5. Open **Arm Cover** by loosening (1) **Arm Cover Screw** and allow the **Arm Cover** to swing open.
6. Secure the **Fixture** to the **Mounting Wedge** by tightening (2) **Mounting Wedge Screws**.
7. Wire the **Fixture** leads to the supply wires using UL listed wire connectors according to NEC and local codes (Fig. 16).
8. Tighten **Mounting Bolts** (2) to compress the **Mounting Gasket** against the **Slipfitter** (Fig. 5).
9. Replace **Arm Cover** and secure with (1) **Arm Cover Screw**. Be sure not to pinch the wires
10. To adjust the angle of the **Slipfitter** remove **Screws** (2) and the **Slipfitter Cover Plate**. Loosen the **Locking Bolt** and swivel **Fixture** to desired angle. The graduation on the **Slipfitter Cover Plate** can be used as guidelines to adjust the angle (Fig. 6).
11. Tighten the **Locking Bolt**. Replace **Slipfitter Cover Plate**. Tighten **Screws** (2) and close the **Plug**. Seal **Plug** using Teflon® tape or silicone sealant.
12. For **Large** and **X-Large** fixtures a **Safety/Tether cable** is (provided) as shown in Fig. 7.

FIG. 7

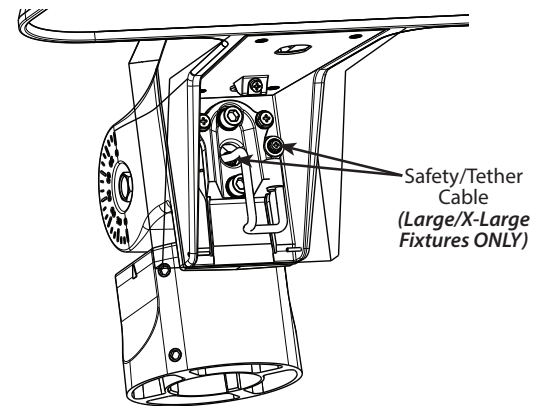
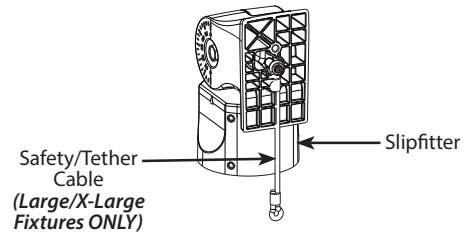


FIG. 8

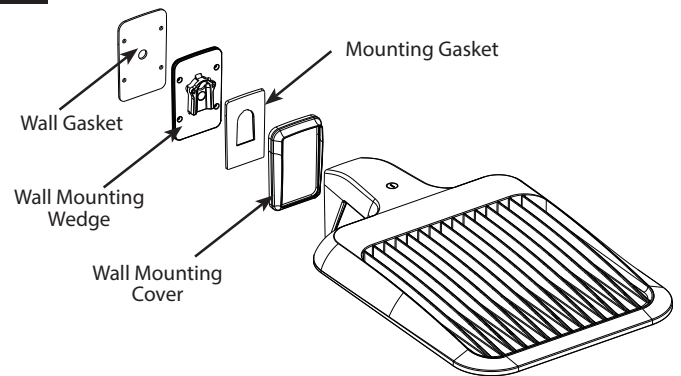
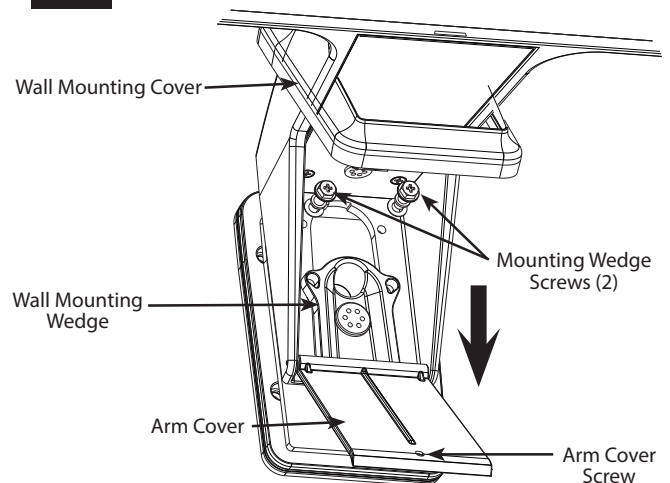


FIG. 9



WALL MOUNTING

1. Refer to **Wall Mount Drilling Detail** to mark and drill mounting holes in the wall mounting surface as shown in Fig. 15.
2. Align **Wall Gasket** and **Wall Mounting Wedge** with the mounting holes. Insert the supply wires through **Wall Gasket** and **Wall Mounting Wedge** (Fig. 8).
3. Secure the **Wall Gasket** and **Wall Mounting Wedge** to the wall using suitable hardware (by others).
4. Hang the **Wall Mounting Cover** on the fixture **Arm**. The **Wall Mounting Cover** is tapered to match the taper of the fixture mounting surface. (Fig. 9).
5. Open **Arm Cover** by loosening (1) **Arm Cover Screw** and allow the **Arm Cover** to swing open. Slide the **Fixture** onto the **Wall Mounting Wedge** as shown in Fig. 9. Ensure that the **Fixture** is properly seated on the **Wall Mounting Wedge**.
6. To secure the **Fixture** to the **Wall Mounting Wedge** compress the **Mounting Gasket** against the **Wall Mounting Wedge**, tightening (2) **Mounting Wedge Screws** (provided) as shown in Fig. 9.
7. Wire the **Fixture** leads to the supply wires using UL listed wire connectors according to NEC and local codes (Fig. 16).
8. Close **Arm Cover** and secure with (1) **Arm Cover Screw**. Be sure not to pinch the wires.
9. Snap the **Wall Mounting Cover** over the edges of the **Wall Mounting Wedge** for a clean finish.

INSTRUCTIONS

A34™ FIELD-ADJUSTABLE AREA LIGHT INSTALLATION



RAB Lighting is committed to creating high-quality, affordable, well-designed and energy-efficient LED lighting and controls that make it easy for electricians to install and end users to save energy. We'd love to hear your comments. Please call the Marketing Department at 888-RAB-1000 or email: marketing@rablighting.com

FIELD ADJUSTMENT

Photocell Operation:

This product is equipped with a photocell. **Photocell factory setting is set to the "OFF" position.** Should you wish to enable the Photocell "ON" feature slide the center switch to the "ON" position (Fig 12). **If the Photocell is set to the "ON" position and it is daylight it may take up to 60-seconds for the light to turn off.**

Color Temperature (CCT) Selection:

This product is equipped with 5000K, 4000K or 3000K CCT Color Temperature selection.

Power (%) Selection:

This product is equipped with 50%, 75% and 100% power output selection.

Follow instructions below to change **Photocell** operation, **Color Temperature (CCT)** and/or **Power (%)** from factory settings.

Factory Settings: 75% Power, 4000K CCT, Photocell/OFF

1. Locate the **Selector Switch Plug** on top of fixture housing as shown in Fig. 10 and remove plug.
2. Select **Color Temperature (CCT)**, **Power (%)** and/or **Photocell ON/OFF** function by sliding the respective switch to the desired value (Fig. 11). Re-install **Selector Switch Plug**.

MVS MODELS (External)

(optional remote sold separately for custom settings, CAT# MSR1).

Factory Settings:

- Brightness: 100%
- Hold Time: 20 Minutes
- Daylight: Disabled
- Sensitivity: 100%
- Stand-by dimming level: 20%
- Stand-by time: 1 Minute

PIR MODELS (External)

(optional remote sold separately for custom settings, CAT# MSR1).

Factory Settings:

- Brightness: 100%
- Hold Time: 20 Minutes
- Daylight: Disabled
- Sensitivity: 100%
- Stand-by dimming level: 20%
- Stand-by time: 1 Minute

MVS / PIR INSTALLATION

1. Locate the **Sensor Connector Plug** on the underside of the fixture **Mounting Neck** as shown in Fig. 12.
2. Unscrew the **Sensor Connector Plug** using a flat-bladed screwdriver..
3. **MVS** or **PIR** sensor can now be threaded into position in place of the **Sensor Connector Plug**. Tighten **MVS** or **PIR** sensor by hand until snug, do not over-tighten.

FIG. 10

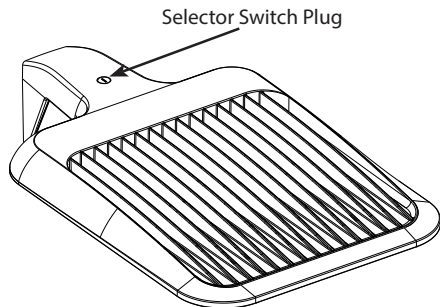


FIG. 11

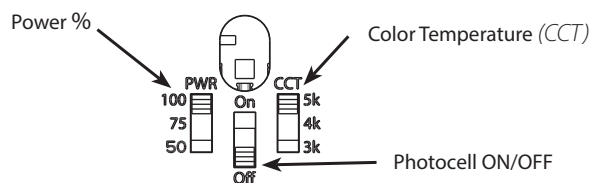
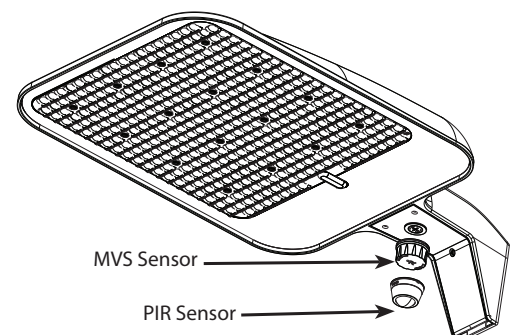
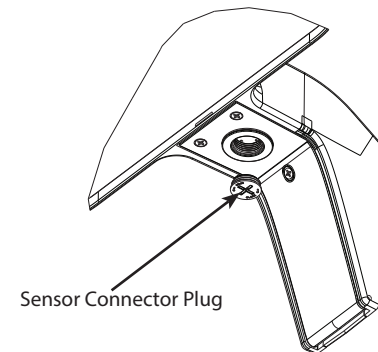


FIG. 12



INSTRUCTIONS

A34™ FIELD-ADJUSTABLE AREA LIGHT INSTALLATION



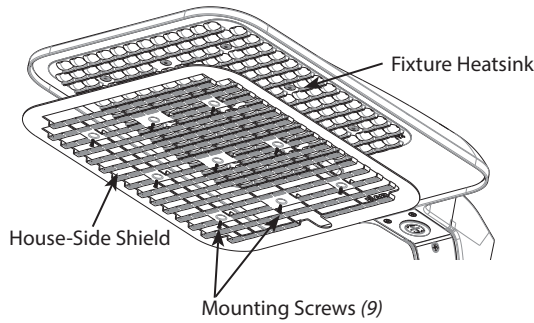
RAB Lighting is committed to creating high-quality, affordable, well-designed and energy-efficient LED lighting and controls that make it easy for electricians to install and end users to save energy. We'd love to hear your comments. Please call the Marketing Department at 888-RAB-1000 or email: marketing@rablighting.com

HOUSE-SIDE SHIELD ACCESSORY

House side shield accessory is sold separately Model #'s A34S-HSS, A34M-HSS, A34L-XL-HSS.

1. Remove the **Mounting Screws** that attach the **Lens Frame Assembly** to the **Fixture Heatsink** as shown in Fig. 13. **DO NOT DISCARD MOUNTING SCREWS.**
2. Align the mounting holes of the **House-Side Shield** with the **Lens** and press the **House-Side Shield** against the **Lens**.
3. Thread all **Mounting Screws** back into the **Fixture Heatsink** to mechanically hold the **House-Side Shield** in place.

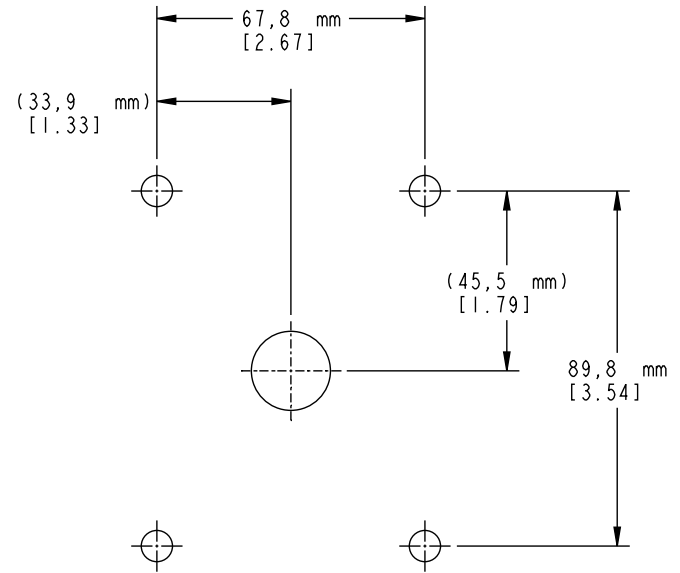
FIG. 13



WALL MOUNT DRILLING DETAIL

Mounting hole dimensions for **Wall Mounting Plate**. This template is not to scale. Please use measurements as shown in Fig. 15.

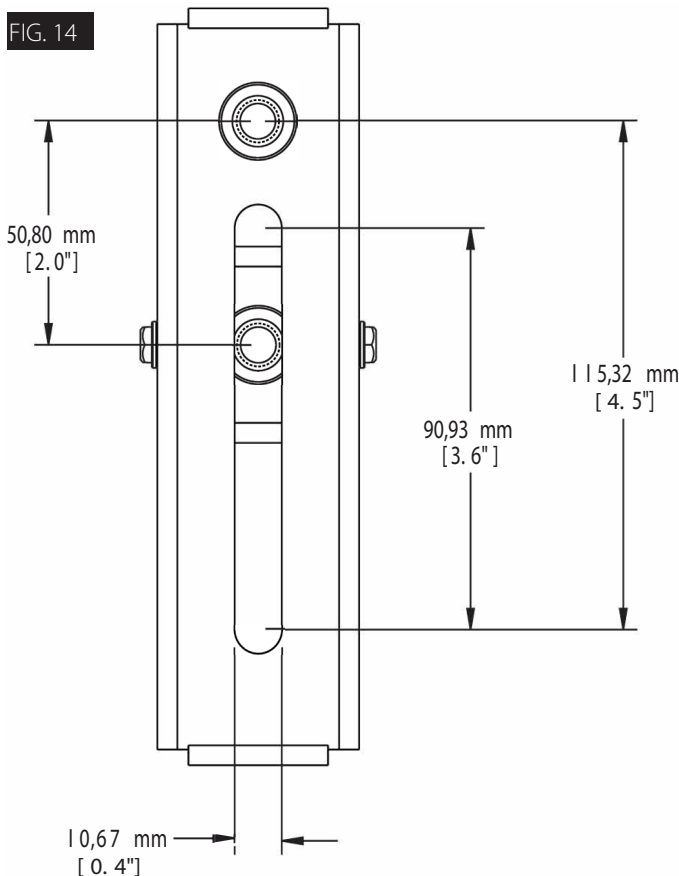
FIG. 15



POLE DRILLING DETAIL

Dimensions of the holes on **PA** and **Bolster Plate**. This template is not to scale. Please use measurements as shown in Fig. 14.

FIG. 14



INSTRUCTIONS

A34™ FIELD-ADJUSTABLE AREA LIGHT INSTALLATION



RAB Lighting is committed to creating high-quality, affordable, well-designed and energy-efficient LED lighting and controls that make it easy for electricians to install and end users to save energy. We'd love to hear your comments. Please call the Marketing Department at 888-RAB-1000 or email: marketing@rablighting.com

0-10V DIMMABLE WIRING

Universal voltage driver permits operation at 120V through 277V, 50 or 60 Hz. For 0-10V dimming, follow the wiring directions as shown in Fig. 16.

1. Connect the black fixture lead to the **LINE** supply lead.
2. Connect the white fixture lead to the **COMMON** supply lead.
3. Connect the **GROUND** wire from fixture to supply ground.
4. Connect the purple fixture lead to the **(V+) DIM** lead.
5. Connect the pink fixture lead to the **(V-) DIM** lead.

NOTE: Do not connect DIM V+ (purple)/ DIM V- (pink) to line voltage or supply ground.

CLEANING & MAINTENANCE

CAUTION: Be sure fixture temperature is cool enough to touch. Do not clean or maintain while fixture is energized.

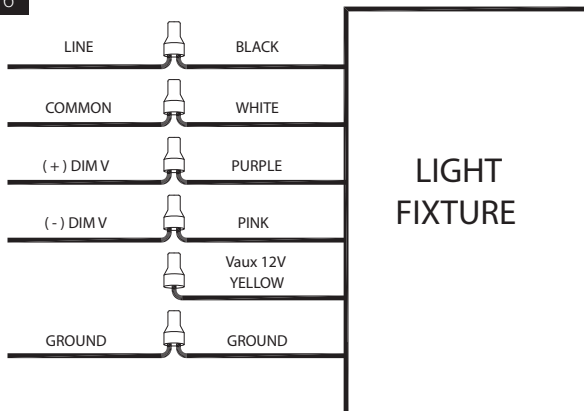
1. Clean lens with non-abrasive glass cleaning solution.
2. Do not open the fixture to clean the LED. Do not touch the LED.

TROUBLESHOOTING

1. Check that the line voltage at the fixture is correct. Refer to wiring directions.
2. Is the fixture grounded properly?
3. Is the photocell, if used, functioning properly?

Note: These instructions do not cover all details or variations in equipment nor do they provide for every possible situation during installation, operation or maintenance.

FIG. 16



© 2024 RAB LIGHTING Inc.

A34 - IN - 0324
P-100113

Easy Answers

rablighting.com
Visit our website for product info

RAB WARRANTY: RAB's warranty is subject to all terms and conditions found at rablighting.com/warranty.

Tech Help Line
Call our experts: 888 722-1000

e-mail
Answered promptly - sales@rablighting.com

Free Lighting Layouts
Answered online or by request