

X22 5-Way Selectable Floodlight



X22-20

X22-35

X22-60

X22-80



X22-150



X22-250 / X22-320



X22-420 / X22-500

PROJECT:

DATE:

TYPE:

PREPARED BY:



KEY FEATURES

- Selectable **power**, CCT, photocell, mount and **beam angle**
- Available models & wattages:
 - X22-20 : 20/17/13/10W
 - X22-35: 35/30/25/20W
 - X22-60: 60/50/40/30W
 - X22-80: 80/70/60/50W
 - X22-150: 150/125/100/75W
 - X22-250: 250/220/190/160W
 - X22-320: 320/280/240/200W
 - X22-420: 420/380/340/320W
 - X22-500: 500/450/420/380W
- Selectable CCT: 3000/4000/5000K
- Adjustable beam angles: 90° (default), 75° and 55°
- 0-10V dimming
- 120-277V **on/off photocell** (480V photocell available for 150W & higher models)
- Two mounts included with each:
 - 20 and 30W: **Knuckle and Yoke**
 - 60 and 80W: **Knuckle and Trunnion**
 - 150W, 320W, 420W & 500W: **Slipfitter and Trunnion**
- Suitable for **wet** locations
- 5-year limited warranty

5-Way Selectable Floodlight



TECHNICAL SPECIFICATIONS

COMPLIANCE

UL Listed

Suitable for wet locations

IP Rating

Ingress protection rating of IP65 for dust and water

DLC Listed

This product is listed by Design Lights Consortium (DLC) as an ultra-efficient premium product that qualifies for the highest tier of rebates from DLC Member Utilities. Designed to meet DLC 5.1 requirements.

Model#	DLC Product ID	Model#	DLC Product ID
X22-20	S-GIVJ85	X22-150/480	S-YVC01D
X22-35	S-CASURW	X22-250/480	S-8F8Y5C
X22-60	S-PWNSSH	X22-320/480	S-5QNL32
X22-80	S-HDQRO9	X22-420/480	S-R46SFF
X22-150	S-P9XAG4	X22-500/480	S-2HQW7L
X22-250	S-2HBM9K		
X22-320	S-MDDYDH		
X22-420	S-RKBJ2L		
X22-500	S-RPXWQ1		

CONSTRUCTION

Cold Weather Starting

Minimum starting temperature is -30°C (-22°F)

Maximum Ambient Temperature

Suitable for use in up to 50°C (122°F)

Housing

Precision die-cast aluminum

Mounting

20W and 35W: Robust knuckle mount installed. Yoke included.
60W and 80W: Robust knuckle mount installed. Trunnion included.
150W-500W: Slipfitter installed. Trunnion included.

Lens

Tempered glass

Gasket

Silicone

Green Technology

Mercury and UV free. RoHS-compliant components.

Finish

Formulated for high durability and long lasting color

NEMA Type

NEMA Beam Spread of 7H x 6V

X22 5-Way Selectable Floodlight



TECHNICAL SPECIFICATIONS (CONTINUED)

CONSTRUCTION (CONTINUED)

Effective Projected Area (EPA)

MODEL#	1 Fixture	2 Fixtures @90°	2 Fixtures @180°	3 Fixtures @90°	4 Fixtures @90°
X22-20	0.117 ft ²	0.256 ft ²	0.234 ft ²	0.373 ft ²	0.373 ft ²
X22-35	0.118 ft ²	0.278 ft ²	0.235 ft ²	0.395 ft ²	0.395 ft ²
X22-60	0.205 ft ²	0.427 ft ²	0.409 ft ²	0.632 ft ²	0.632 ft ²
X22-80	0.249 ft ²	0.587 ft ²	0.498 ft ²	0.836 ft ²	0.836 ft ²
X22-150	0.432 ft ²	1.093 ft ²	0.865 ft ²	1.525 ft ²	1.525 ft ²
X22-250-320	0.759 ft ²	1.985 ft ²	1.517 ft ²	2.744 ft ²	2.744 ft ²
X22-420-500	1.142 ft ²	2.712 ft ²	2.285 ft ²	3.854 ft ²	3.854 ft ²

LED CHARACTERISTIC

LEDS

Long-life, high-efficacy, surface-mount LEDs

Color Uniformity

RAB's range of Correlated Color Temperature follows the guidelines of the American National Standards for Specifications for the Chromaticity of Solid State Lighting (SLL) Products, ANSI C78.377-2017.

ELECTRICAL

Drivers:

Constant Current, Class 1, 120-277V, 50/60 Hz

X22-20:

20W: 120V: 0.17A, 208V: 0.10A, 240V: 0.08A, 277V: 0.07A
 17W: 120V: 0.14A, 208V: 0.08A, 240V: 0.07A, 277V: 0.07A
 13W: 120V: 0.11A, 208V: 0.07A, 240V: 0.06A, 277V: 0.05A
 10W: 120V: 0.09A, 208V: 0.05A, 240V: 0.05A, 277V: 0.04A

X22-35:

35W: 120V: 0.29A, 208V: 0.17A, 240V: 0.15A, 277V: 0.13A
 30W: 120V: 0.25A, 208V: 0.14A, 240V: 0.13A, 277V: 0.11A
 25W: 120V: 0.23A, 208V: 0.13A, 240V: 0.11A, 277V: 0.10A
 20W: 120V: 0.18A, 208V: 0.10A, 240V: 0.09A, 277V: 0.08A

X22-60:

60W: 120V: 0.50A, 208V: 0.29A, 240V: 0.26A, 277V: 0.23A
 50W: 120V: 0.40A, 208V: 0.24A, 240V: 0.21A, 277V: 0.19A
 40W: 120V: 0.32A, 208V: 0.20A, 240V: 0.17A, 277V: 0.16A
 30W: 120V: 0.24A, 208V: 0.16A, 240V: 0.14A, 277V: 0.13A

X22-80:

80W: 120V: 0.66A, 208V: 0.40A, 240V: 0.35A, 277V: 0.32A
 70W: 120V: 0.58A, 208V: 0.35A, 240V: 0.31A, 277V: 0.28A
 60W: 120V: 0.51A, 208V: 0.31A, 240V: 0.28A, 277V: 0.26A
 50W: 120V: 0.44A, 208V: 0.26A, 240V: 0.24A, 277V: 0.22A

X22-150:

150W: 120V: 1.20A, 208V: 0.71A, 240V: 0.62A, 277V: 0.56A
 125W: 120V: 1.01A, 208V: 0.60A, 240V: 0.53A, 277V: 0.47A
 100W: 120V: 0.83A, 208V: 0.49A, 240V: 0.43A, 277V: 0.39A
 75W: 120V: 0.69A, 208V: 0.37A, 240V: 0.34A, 277V: 0.31A

X22-250:

250W: 120V: 2.1A, 208V: 1.25A, 240V: 1.08A, 277V: 0.95A
 220W: 120V: 1.85A, 208V: 1.10A, 240V: 0.95A, 277V: 0.83A
 190W: 120V: 1.6A, 208V: 0.95A, 240V: 0.82A, 277V: 0.72A
 160W: 120V: 1.36A, 208V: 0.8A, 240V: 0.69A, 277V: 0.61A

ELECTRICAL

X22-320:

320W: 120V: 2.65A, 208V: 1.58A, 240V: 1.37A, 277V: 1.2A
 280W: 120V: 2.33A, 208V: 0.60A, 240V: 0.53A, 277V: 0.47A
 240W: 120V: 2.0A, 208V: 1.18A, 240V: 1.03A, 277V: 0.9A
 200: 120V: 1.67A, 208V: 0.98A, 240V: 0.85A, 277V: 0.74A

X22-420:

420W: 120V: 3.41A, 208V: 2.0A, 240V: 1.73A, 277V: 1.53A
 380W: 120V: 3.14A, 208V: 1.83A, 240V: 1.6A, 277V: 1.41A
 340W: 120V: 2.75A, 208V: 1.65A, 240V: 1.43A, 277V: 1.28A
 300W: 120V: 2.44A, 208V: 1.47A, 240V: 1.28A, 277V: 1.14A

X22-500:

500W: 120V: 4.23A, 208V: 2.45A, 240V: 2.12A, 277V: 1.87A
 450W: 120V: 3.85A, 208V: 2.18A, 240V: 1.9A, 277V: 1.67A
 420W: 120V: 3.43A, 208V: 2.02A, 240V: 1.74A, 277V: 1.54A
 380W: 120V: 3.11A, 208V: 1.83A, 240V: 1.59A, 277V: 1.41A

Constant Current, Class 1, 480V, 50/60Hz

X22-150

150W: 480V: 0.32A
 125W: 480V: 0.27A
 100W: 480V: 0.23A
 75W: 480V: 0.19A

X22-250:

250W: 480V: 0.53A
 220W: 480V: 0.47A
 190W: 480V: 0.42A
 160W: 480V: 0.35A

X22-320:

320W: 480V: 0.68A
 280W: 480V: 0.6A
 240W: 480V: 0.52A
 200: 480V: 0.44A

X22-420:

420W: 480V: 0.9A
 380W: 480V: 0.82A
 340W: 480V: 0.74A
 300W: 480V: 0.66A

X22-500:

500W: 480V: 1.09A
 450W: 480V: 0.96A
 420W: 480V: 0.91A
 380W: 480V: 0.83A

Driver includes wiring for 0-10V dimming systems. Dim as low as 10%.

Photocell:

120-277V selectable photocell that can be turned on and off.
 480V selectable photocell that can be turned on and off.

TECHNICAL SPECIFICATIONS (CONTINUED)

ELECTRICAL

THD:

X22-20: 11.70% at 120V, 7.90% at 277V
X22-35: 13.6% at 120V, 13.7% at 277V
X22-60: 13.9% at 120V, 10.2% at 277V
X22-80: 5.9% at 120V, 12% at 277V
X22-150: 3.9% at 120V, 10.9% at 277V
X22-250: 2.96% at 120V, 3.96% at 277V
X22-320: 10.32% at 120V, 7.94% at 277V
X22-420: 2.80% at 120V, 5.06% at 277V
X22-500: 2.86% at 120V, 4.99% at 277V
X22-150: 17.9% at 480V
X22-250: 4.21% at 480V
X22-320: 7.71% at 480V
X22-420: 3.82% at 480V
X22-500: 4.91% at 480V

Power Factor:

X22-20: 99% at 120V, 93.9% at 277V
X22-35: 98.7% at 120V, 93% at 277V
X22-60: 98.7% at 120V, 95.6% at 277V
X22-80: 99.4% at 120V, 91.7% at 277V
X22-150: 99.7% at 120V, 94.2% at 277V
X22-250: 99.9% at 120V, 97.1% at 277V
X22-320: 99.4% at 120V, 95.2% at 277V
X22-420: 99.9% at 120V, 96.2% at 277V
X22-500: 99.9% at 120V, 97.2% at 277V
X22-150: 96.8% at 480V
X22-250: 96.4% at 480V
X22-320: 96.6% at 480V
X22-420: 96.6% at 480V
X22-500: 96.5% at 480V

Surge Protection:

20W/35W: L/N-PE: 2.5kV
60W/80W/150W/250W/320W/420W/500W: L/N-PE: 6kV, L-N: 6kV

Note: All values are typical (tolerance +/- 10%)

PERFORMANCE

Lifespan

100,000-hour LED lifespan based on IES LM-80 results and TM-21 calculations

OTHER

Warranty

The RAB 5-year, limited warranty covers light output, driver performance and paint finish. RAB's warranty is subject to all terms and conditions found at rablighting.com/warranty.

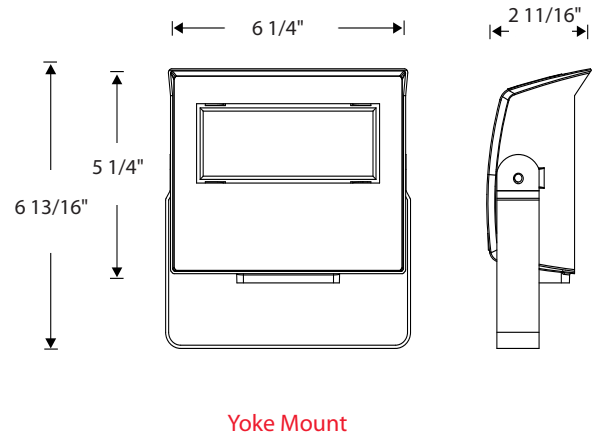
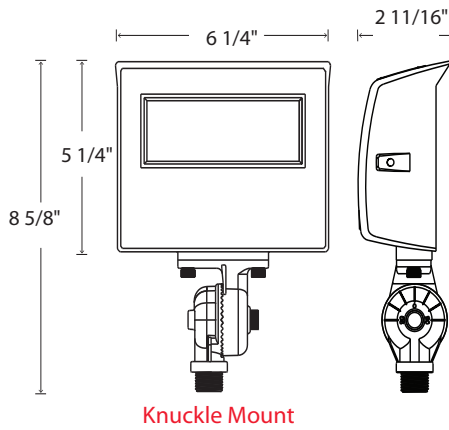
X22 5-Way Selectable Floodlight



DIMENSIONS

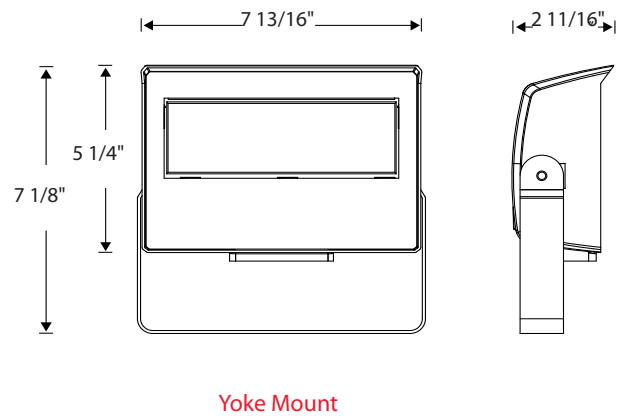
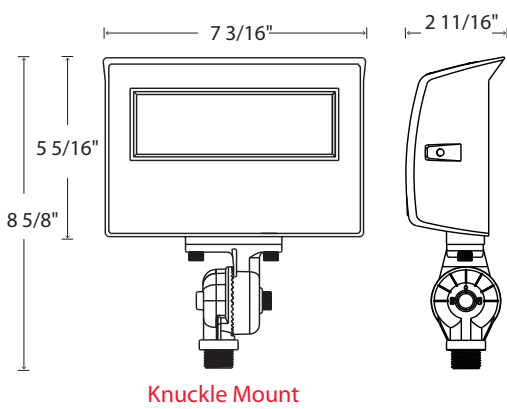
X22-20

Weight: 1.98 lbs



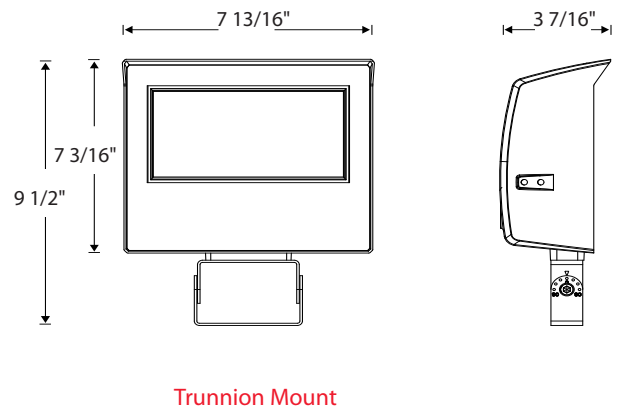
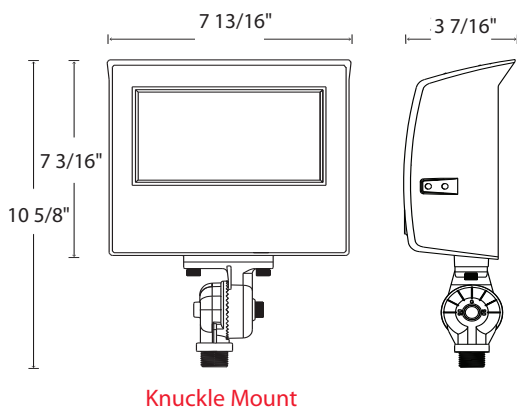
X22-35

Weight: 2.5 lbs



X22-60

Weight: 3.61 lbs



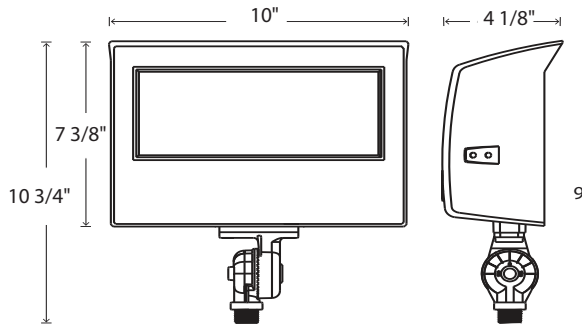
X22 5-Way Selectable Floodlight



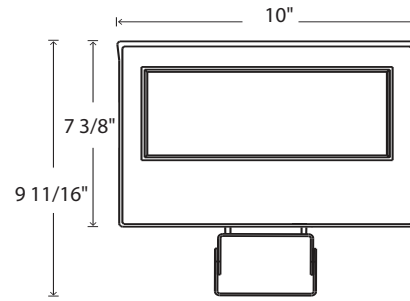
DIMENSIONS

X22-80

Weight: 5.52 lbs



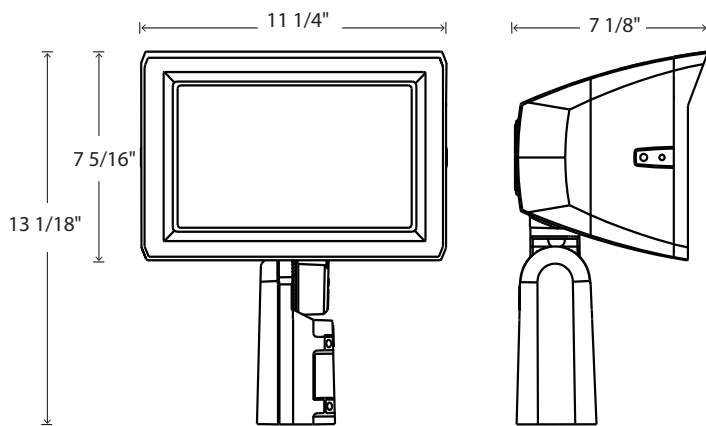
Knuckle Mount



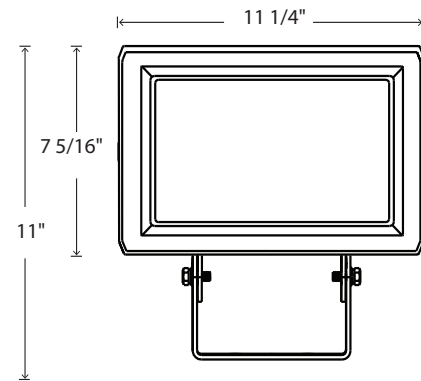
Trunnion Mount

X22-150

Weight: 8.80 lbs



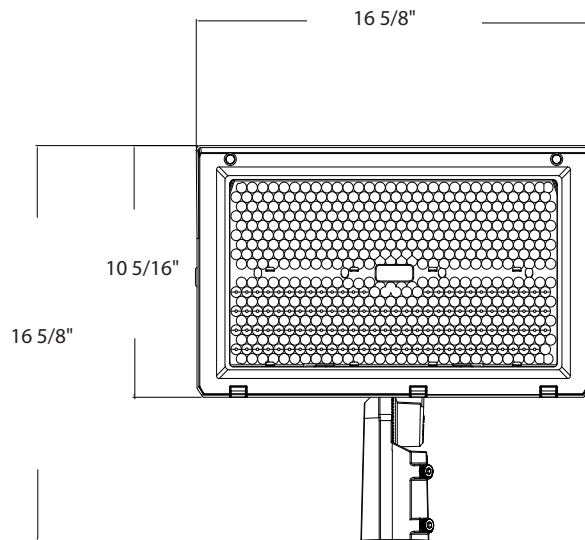
Slipfitter Mount



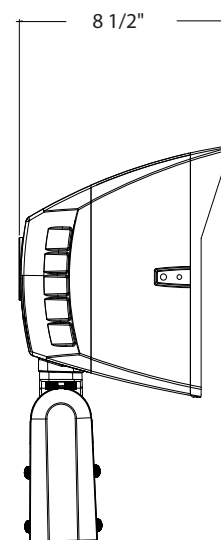
Trunnion Mount

X22-250/ X22-320

Weight: 20.70 lbs



Slipfitter Mount



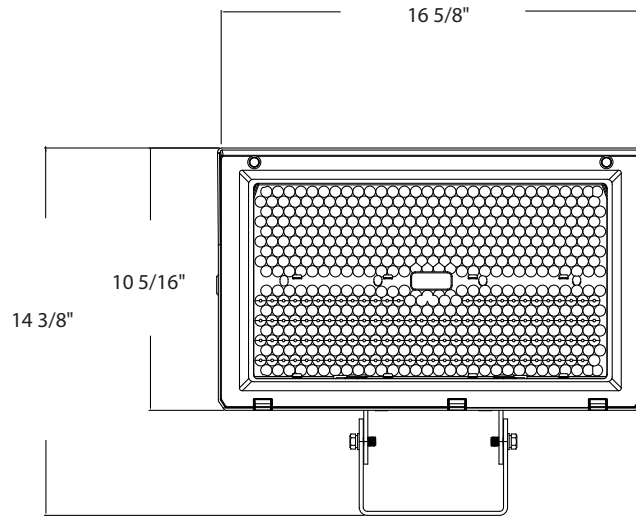
X22 5-Way Selectable Floodlight



DIMENSIONS

X22-250/ X22-320

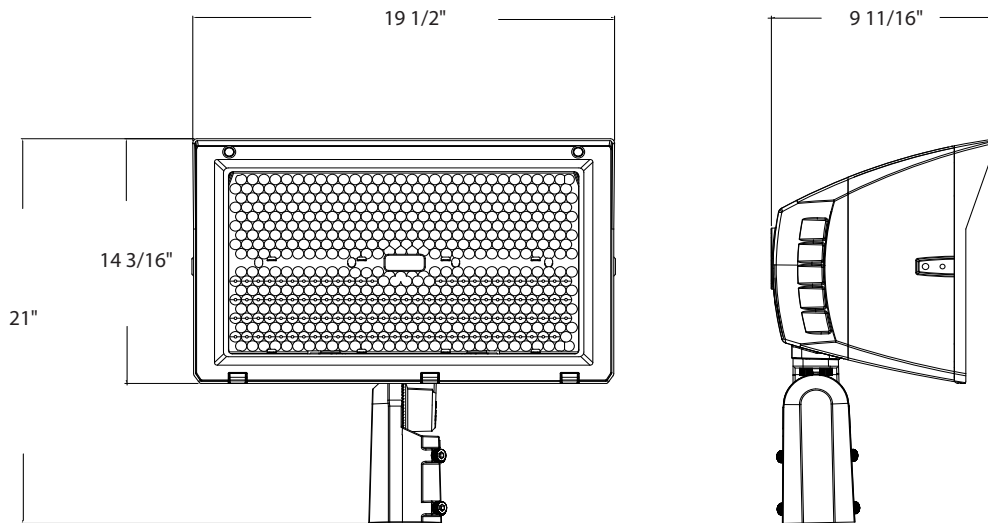
Weight: 20.70 lbs



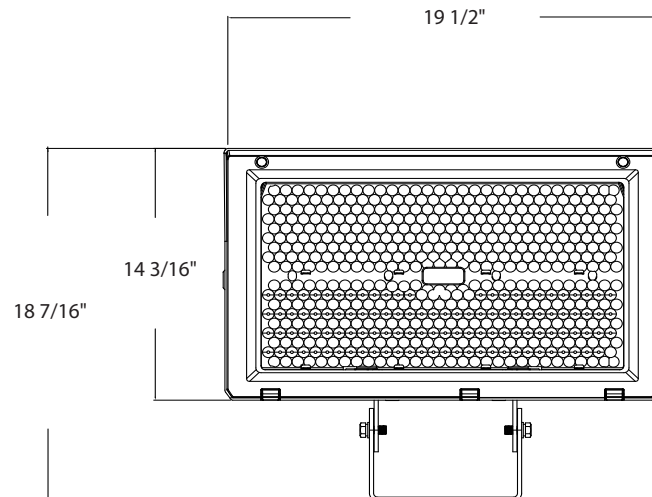
Trunnion Mount

X22-420-X22-500

Weight: 32.87 lbs



Slipfitter Mount



Trunnion Mount

X22 5-Way Selectable Floodlight



PERFORMANCE

X22-35 @ 35W	3000K			4000K			5000K		
BEAM SETTING	90°	75°	55°	90°	75°	55°	90°	75°	55°
BEAM ANGLE	91°	79°	58°	91°	79°	58°	91°	79°	58°
NEMA TYPE	7H X 6V	6H X 6V	6H X 6V	7H X 6V	6H X 6V	6H X 6V	7H X 6V	6H X 6V	6H X 6V
INPUT WATTS	35.6W	35.7W	35.7W	33.9W	33.9W	34W	35.3W	35.3W	35.3W
LUMENS	4,958	4,803	4,493	5,286	5,135	4,791	5,091	4,948	4,609
EFFICACY	139.3	134.5	125.9	155.9	151.5	140.9	144.2	140.2	130.6
CRI	81	81	81	84	84	83	82	82	82
VOLTAGE RATINGS	120-277V								

X22-35 @ 30W	3000K			4000K			5000K		
BEAM SETTING	90°	75°	55°	90°	75°	55°	90°	75°	55°
BEAM ANGLE	91°	79°	58°	91°	79°	58°	91°	79°	58°
NEMA TYPE	7H X 6V	6H X 6V	6H X 6V	7H X 6V	6H X 6V	6H X 6V	7H X 6V	6H X 6V	6H X 6V
INPUT WATTS	31.4W	31.3W	31.4W	29.9W	29.7W	29.9W	31.1W	30.9W	31W
LUMENS	4,375	4,241	3,967	4,664	4,534	4,230	4,492	4,369	4,069
EFFICACY	139.3	135.5	126.3	156.0	152.7	141.5	144.4	141.4	131.3
CRI	81	81	82	84	84	83	82	82	82
VOLTAGE RATINGS	120-277V								

X22-35 @ 25W	3000K			4000K			5000K		
BEAM SETTING	90°	75°	55°	90°	75°	55°	90°	75°	55°
BEAM ANGLE	91°	79°	58°	91°	79°	58°	91°	79°	58°
NEMA TYPE	7H X 6V	6H X 6V	6H X 6V	7H X 6V	6H X 6V	6H X 6V	7H X 6V	6H X 6V	6H X 6V
INPUT WATTS	25.9W	25.8W	25.8W	24.7W	24.5W	24.6W	25.7W	25.5W	25.5W
LUMENS	3,756	3,647	3,412	4,004	3,899	3,638	3,857	3,757	3,500
EFFICACY	145	141.4	132.2	162.1	159.1	147.9	150.1	147.3	137.3
CRI	81	81	82	84	84	83	82	82	82
VOLTAGE RATINGS	120-277V								

X22-35 @ 20W	3000K			4000K			5000K		
BEAM SETTING	90°	75°	55°	90°	75°	55°	90°	75°	55°
BEAM ANGLE	91°	79°	58°	91°	79°	58°	91°	79°	58°
NEMA TYPE	7H X 6V	6H X 6V	6H X 6V	7H X 6V	6H X 6V	6H X 6V	7H X 6V	6H X 6V	6H X 6V
INPUT WATTS	20.7W	20.7W	20.7W	19.7W	19.7W	19.7W	20.5W	20.5W	20.5W
LUMENS	3,118	3,027	2,832	3,324	3,236	3,020	3,202	3,118	2,905
EFFICACY	150.6	146.2	136.8	168.7	164.3	153.3	156.2	154.3	141.7
CRI	81	81	81	84	84	83	82	83	82
VOLTAGE RATINGS	120-277V								

X22 5-Way Selectable Floodlight



PERFORMANCE

X22-60 @ 60W	3000K			4000K			5000K		
BEAM SETTING	90°	75°	55°	90°	75°	55°	90°	75°	55°
BEAM ANGLE	91°	76°	57°	91°	76°	57°	91°	76°	57°
NEMA TYPE	7H X 6V	6H X 6V	6H X 6V	7H X 6V	6H X 6V	6H X 6V	7H X 6V	6H X 6V	6H X 6V
INPUT WATTS	62.1W	61.6W	61.2W	58.8W	58.8W	58.5W	61W	60.9W	60.9W
LUMENS	8,686	8,410	7,630	9,353	9,149	8,313	9,004	8,803	8,038
EFFICACY	139.9	136.5	124.7	159.1	155.6	142.1	147.6	144.5	132.0
CRI	81	82	81	84	84	84	82	82	82
VOLTAGE RATINGS	120-277V								

X22-60 @ 50W	3000K			4000K			5000K		
BEAM SETTING	90°	75°	55°	90°	75°	55°	90°	75°	55°
BEAM ANGLE	91°	76°	57°	91°	76°	57°	91°	76°	57°
NEMA TYPE	7H X 6V	6H X 6V	6H X 6V	7H X 6V	6H X 6V	6H X 6V	7H X 6V	6H X 6V	6H X 6V
INPUT WATTS	53.6W	53.8W	54W	50.8W	51.4W	51.6	52.7W	53.2W	53.7W
LUMENS	7,620	7,494	6,879	8,205	8,153	7,495	7,899	7,844	7,247
EFFICACY	142.2	139.3	127.4	161.5	158.6	145.3	149.9	147.4	135.0
CRI	81	82	82	84	84	84	82	82	82
VOLTAGE RATINGS	120-277V								

X22-60 @ 40W	3000K			4000K			5000K		
BEAM SETTING	90°	75°	55°	90°	75°	55°	90°	75°	55°
BEAM ANGLE	91°	76°	57°	91°	76°	57°	91°	76°	57°
NEMA TYPE	7H X 6V	6H X 6V	6H X 6V	7H X 6V	6H X 6V	6H X 6V	7H X 6V	6H X 6V	6H X 6V
INPUT WATTS	43.6W	43.6W	43.8W	41.3W	41.6W	41.9W	42.8W	41.3W	43.6W
LUMENS	6,369	6,257	5,746	6,858	6,807	6,260	6,602	6,549	6,053
EFFICACY	146.1	143.5	131.2	166.1	163.6	149.4	154.3	151.9	138.8
CRI	81	81	81	84	84	84	82	82	82
VOLTAGE RATINGS	120-277V								

X22-60 @ 30W	3000K			4000K			5000K		
BEAM SETTING	90°	75°	55°	90°	75°	55°	90°	75°	55°
BEAM ANGLE	91°	76°	57°	91°	76°	57°	91°	76°	57°
NEMA TYPE	7H X 6V	6H X 6V	6H X 6V	7H X 6V	6H X 6V	6H X 6V	7H X 6V	6H X 6V	6H X 6V
INPUT WATTS	32.9W	33W	33W	31.2W	31.5W	31.5W	32.3W	32.6W	32.8W
LUMENS	4,885	4,799	4,405	5,260	5,221	4,799	5,064	5,023	4,641
EFFICACY	148.5	145.4	133.5	168.6	165.7	152.3	156.8	154.1	141.5
CRI	82	81	81	84	84	84	82	82	82
VOLTAGE RATINGS	120-277V								

X22 5-Way Selectable Floodlight



PERFORMANCE

X22-80 @ 80W	3000K			4000K			5000K		
BEAM SETTING	90°	75°	55°	90°	75°	55°	90°	75°	55°
BEAM ANGLE	93°	80°	57°	93°	80°	57°	93°	80°	57°
NEMA TYPE	7H X 6V	6H X 6V	6H X 6V	7H X 6V	6H X 6V	6H X 6V	7H X 6V	6H X 6V	6H X 6V
INPUT WATTS	83W	82.6W	82.6W	79.6W	79.5W	79.4W	82.1W	82W	82W
LUMENS	11,723	11,305	10,537	12,772	12,315	11,522	12,282	11,842	11,096
EFFICACY	141.2	136.9	127.6	160.5	154.9	145.1	149.6	144.4	135.3
CRI	81	81	81	84	83	83	82	82	83
VOLTAGE RATINGS	120-277V								

X22-80 @ 70W	3000K			4000K			5000K		
BEAM SETTING	90°	75°	55°	90°	75°	55°	90°	75°	55°
BEAM ANGLE	93°	80°	57°	93°	80°	57°	93°	80°	57°
NEMA TYPE	7H X 6V	6H X 6V	6H X 6V	7H X 6V	6H X 6V	6H X 6V	7H X 6V	6H X 6V	6H X 6V
INPUT WATTS	73W	72.9W	72.9W	70W	70.2W	70.1W	72.2W	72.4W	72.4W
LUMENS	10,507	10,170	9,525	11,447	11,079	10,415	11,008	10,653	10,030
EFFICACY	143.9	139.5	130.7	163.5	157.8	148.6	152.5	147.1	138.5
CRI	81	81	81	84	83	83	82	82	83
VOLTAGE RATINGS	120-277V								

X22-80 @ 60W	3000K			4000K			5000K		
BEAM SETTING	90°	75°	55°	90°	75°	55°	90°	75°	55°
BEAM ANGLE	93°	80°	57°	93°	80°	57°	93°	80°	57°
NEMA TYPE	7H X 6V	6H X 6V	6H X 6V	7H X 6V	6H X 6V	6H X 6V	7H X 6V	6H X 6V	6H X 6V
INPUT WATTS	63.7W	63.7W	63.7W	61.1W	61.3W	61.2W	63W	63.2W	63.2W
LUMENS	9,378	9,071	8,511	10,217	9,881	9,307	9,825	9,502	8,963
EFFICACY	147.2	142.4	133.6	167.2	161.2	152.1	156.0	150.3	141.8
CRI	81	82	82	84	83	83	82	82	83
VOLTAGE RATINGS	120-277V								

X22-80 @ 50W	3000K			4000K			5000K		
BEAM SETTING	90°	75°	55°	90°	75°	55°	90°	75°	55°
BEAM ANGLE	93°	80°	57°	93°	80°	57°	93°	80°	57°
NEMA TYPE	7H X 6V	6H X 6V	6H X 6V	7H X 6V	6H X 6V	6H X 6V	7H X 6V	6H X 6V	6H X 6V
INPUT WATTS	52.7W	52.7W	52.7W	50.5W	50.7W	50.7W	52.1W	52.3W	52.3W
LUMENS	7,928	7,661	7,193	8,637	8,345	7,865	8,306	8,025	7,575
EFFICACY	150.4	145.4	136.5	171.0	164.6	155.1	159.4	153.4	144.8
CRI	81	81	81	84	83	83	82	82	83
VOLTAGE RATINGS	120-277V								

X22 5-Way Selectable Floodlight



PERFORMANCE

X22-150 @ 150W	3000K			4000K			5000K		
BEAM SETTING	90°	75°	55°	90°	75°	55°	90°	75°	55°
BEAM ANGLE	88°	72°	57°	88°	72°	57°	88°	72°	57°
NEMA TYPE	7H X 6V	6H X 6V	6H X 5V	7H X 6V	6H X 6V	6H X 5V	7H X 6V	6H X 6V	6H X 5V
INPUT WATTS	151.4W	151.3W	150.8W	144.8W	144.8W	144.6W	149.8W	149.8W	19.7W
LUMENS	20,837	20,548	18,487	22,797	22,493	20,305	21,836	21,542	19,482
EFFICACY	137.6	135.8	122.6	157.4	155.3	140.4	145.8	143.8	130.1
CRI	81	81	81	84	83	83	82	82	82
VOLTAGE RATINGS	120-277V								

X22-150 @ 125W	3000K			4000K			5000K		
BEAM SETTING	90°	75°	55°	90°	75°	55°	90°	75°	55°
BEAM ANGLE	88°	72°	57°	88°	72°	57°	88°	72°	57°
NEMA TYPE	7H X 6V	6H X 6V	6H X 5V	7H X 6V	6H X 6V	6H X 5V	7H X 6V	6H X 6V	6H X 5V
INPUT WATTS	128.8W	128.8W	129W	123.2W	123.3W	123.7W	127.4W	127.5W	128.1W
LUMENS	18,245	18,057	16,385	19,961	19,766	17,996	19,120	18,930	17,267
EFFICACY	141.7	140.2	127.0	162.0	160.3	145.5	150.1	148.5	134.8
CRI	81	82	81	84	83	83	82	82	82
VOLTAGE RATINGS	120-277V								

X22-150 @ 100W	3000K			4000K			5000K		
BEAM SETTING	90°	75°	55°	90°	75°	55°	90°	75°	55°
BEAM ANGLE	88°	72°	57°	88°	72°	57°	88°	72°	57°
NEMA TYPE	7H X 6V	6H X 6V	6H X 5V	7H X 6V	6H X 6V	6H X 5V	7H X 6V	6H X 6V	6H X 5V
INPUT WATTS	104.8W	104.8W	104.9W	100.2W	100.3W	100.6W	103.7W	103.8W	104.1W
LUMENS	15,425	15,275	13,860	16,876	16,721	15,223	16,165	16,014	14,606
EFFICACY	147.2	145.8	132.1	168.4	166.7	151.3	155.9	154.3	140.3
CRI	81	82	82	84	83	83	82	82	82
VOLTAGE RATINGS	120-277V								

X22-150 @ 75W	3000K			4000K			5000K		
BEAM SETTING	90°	75°	55°	90°	75°	55°	90°	75°	55°
BEAM ANGLE	92°	72°	57°	92°	72°	57°	92°	72°	57°
NEMA TYPE	7H X 6V	6H X 6V	6H X 5V	7H X 6V	6H X 6V	6H X 5V	7H X 6V	6H X 6V	6H X 5V
INPUT WATTS	76.3W	76.3W	76.3W	73W	73W	73.2W	75.5W	75.5W	75.7W
LUMENS	11,768	11,643	10,584	12,875	12,745	11,625	12,332	12,206	11,154
EFFICACY	154.2	152.6	138.7	176.4	174.6	158.8	163.3	161.7	147.3
CRI	82	81	82	84	83	83	82	82	82
VOLTAGE RATINGS	120-277V								

X22 5-Way Selectable Floodlight



PERFORMANCE

X22-150 @ 150W	3000K			4000K			5000K		
BEAM SETTING	90°	75°	55°	90°	75°	55°	90°	75°	55°
BEAM ANGLE	88°	72°	57°	88°	72°	57°	88°	72°	57°
NEMA TYPE	7H X 6V	6H X 6V	6H X 5V	7H X 6V	6H X 6V	6H X 5V	7H X 6V	6H X 6V	6H X 5V
INPUT WATTS	151.5W	151.4W	151.3W	145.2W	145.3W	145.1W	150.2W	150.2W	150.1W
LUMENS	21,005	20,743	18,760	22,940	22,743	20,528	21,960	21,751	19,587
EFFICACY	138.6	137.0	124.0	158.0	156.5	141.5	146.2	144.8	130.5
CRI	81	81	81	84	83	83	82	82	82
VOLTAGE RATINGS	480V								

X22-150 @ 125W	3000K			4000K			5000K		
BEAM SETTING	90°	75°	55°	90°	75°	55°	90°	75°	55°
BEAM ANGLE	88°	72°	57°	88°	72°	57°	88°	72°	57°
NEMA TYPE	7H X 6V	6H X 6V	6H X 5V	7H X 6V	6H X 6V	6H X 5V	7H X 6V	6H X 6V	6H X 5V
INPUT WATTS	128.9W	128.9W	129.4W	123.5W	123.7W	128.1W	127.7W	127.8W	128.4W
LUMENS	18,392	18,228	16,627	20,086	19,986	18,194	19,229	19,114	17,360
EFFICACY	142.7	141.4	128.5	162.6	161.6	146.6	150.6	149.6	135.2
CRI	81	81	81	84	83	83	82	82	82
VOLTAGE RATINGS	480V								

X22-150 @ 100W	3000K			4000K			5000K		
BEAM SETTING	90°	75°	55°	90°	75°	55°	90°	75°	55°
BEAM ANGLE	88°	72°	57°	88°	72°	57°	88°	72°	57°
NEMA TYPE	7H X 6V	6H X 6V	6H X 5V	7H X 6V	6H X 6V	6H X 5V	7H X 6V	6H X 6V	6H X 5V
INPUT WATTS	100.7W	100.8W	100.8W	96.5W	96.7W	96.7W	99.8W	100W	100W
LUMENS	14,714	14,615	13,194	16,069	16,024	14,437	15,383	15,325	13,776
EFFICACY	146.1	145.0	130.9	166.5	165.7	149.3	154.1	153.3	137.8
CRI	81	82	82	84	83	83	82	82	83
VOLTAGE RATINGS	480V								

X22-150 @ 75W	3000K			4000K			5000K		
BEAM SETTING	90°	75°	55°	90°	75°	55°	90°	75°	55°
BEAM ANGLE	92°	72°	57°	92°	72°	57°	92°	72°	57°
NEMA TYPE	7H X 6V	6H X 6V	6H X 5V	7H X 6V	6H X 6V	6H X 5V	7H X 6V	6H X 6V	6H X 5V
INPUT WATTS	72.4W	72.5W	72.5W	69.4W	69.6W	69.5W	71.8W	71.9W	71.9W
LUMENS	10,835	10,753	9,731	11,833	11,790	10,648	11,328	11,276	10,160
EFFICACY	149.7	148.3	134.2	170.5	169.4	153.2	157.8	156.8	141.3
CRI	82	81	82	84	83	83	82	82	82
VOLTAGE RATINGS	480V								

X22 5-Way Selectable Floodlight



PERFORMANCE

X22-250@ 250W	3000K			4000K			5000K		
BEAM SETTING	90°	75°	55°	90°	75°	55°	90°	75°	55°
NEMA TYPE	7H X 7V	7H X 6V	6H X 6V	7H X 7V	7H X 6V	6H X 6V	7H X 7V	7H X 6V	6H X 6V
INPUT WATTS	240.4W	242.1W	240.3W	235.5W	235.3W	235.4W	240.8W	241W	240.9W
LUMENS	34,400	34,959	33,238	36,181	36,299	34,874	36,044	36,277	34,754
EFFICACY	143.1	144.4	138.3	153.6	154.3	148.1	149.7	150.5	144.3
CRI	83	83	83	83	84	84	83	83	83
VOLTAGE RATINGS	120-277V								

X22-250@ 250W	3000K			4000K			5000K		
BEAM SETTING	90°	75°	55°	90°	75°	55°	90°	75°	55°
NEMA TYPE	7H X 7V	7H X 6V	6H X 6V	7H X 7V	7H X 6V	6H X 6V	7H X 7V	7H X 6V	6H X 6V
INPUT WATTS	241.1W	240.9W	240.7W	235.2W	234.9W	234.6W	241.6W	241.6W	241.3W
LUMENS	35,541	35,508	33,913	37,095	37,115	35,356	37,207	37,335	35,493
EFFICACY	147.4	147.4	140.9	157.7	158.0	150.7	154.0	154.5	147.1
CRI	82	83	83	83	84	84	83	83	83
VOLTAGE RATINGS	480V								

X22-250@ 220W	3000K			4000K			5000K		
BEAM SETTING	90°	75°	55°	90°	75°	55°	90°	75°	55°
NEMA TYPE	7H X 7V	7H X 6V	6H X 6V	7H X 7V	7H X 6V	6H X 6V	7H X 7V	7H X 6V	6H X 6V
INPUT WATTS	216.6W	217.7W	216.3W	213.0W	212.4W	212.7W	217.8W	217.6W	217.7W
LUMENS	31,578	31,955	30,476	33,014	32,981	31,784	32,889	32,961	31,675
EFFICACY	145.8	146.8	140.9	155.0	155.3	149.4	151.0	151.5	145.5
CRI	83	83	83	83	84	84	83	83	83
VOLTAGE RATINGS	120-277V								

X22-250@ 220W	3000K			4000K			5000K		
BEAM SETTING	90°	75°	55°	90°	75°	55°	90°	75°	55°
NEMA TYPE	7H X 7V	7H X 6V	6H X 6V	7H X 7V	7H X 6V	6H X 6V	7H X 7V	7H X 6V	6H X 6V
INPUT WATTS	208.7W	208.7W	209.0W	204.4W	204.3W	204.5W	210.0W	210.1W	210.4W
LUMENS	31,332	31,445	30,324	32,506	32,671	31,425	32,604	32,865	31,546
EFFICACY	150.1	150.7	145.1	159.0	159.9	153.7	155.3	156.4	149.9
CRI	83	83	83	83	84	84	83	83	83
VOLTAGE RATINGS	480V								

X22 5-Way Selectable Floodlight



PERFORMANCE

X22-250@ 190W	3000K			4000K			5000K		
BEAM SETTING	90°	75°	55°	90°	75°	55°	90°	75°	55°
NEMA TYPE	7H X 7V	7H X 6V	6H X 6V	7H X 7V	7H X 6V	6H X 6V	7H X 7V	7H X 6V	6H X 6V
INPUT WATTS	186.2W	187.1W	186W	183.9W	183.3W	183.7W	188.0W	187.7W	188W
LUMENS	27,898	28,136	26,864	28,961	28,835	27,820	28,851	28,817	27,724
EFFICACY	149.8	150.4	144.4	157.5	157.3	151.4	153.5	153.5	147.5
CRI	83	83	83	83	84	84	83	83	83
VOLTAGE RATINGS	120-277V								

X22-250@ 190W	3000K			4000K			5000K		
BEAM SETTING	90°	75°	55°	90°	75°	55°	90°	75°	55°
NEMA TYPE	7H X 7V	7H X 6V	6H X 6V	7H X 7V	7H X 6V	6H X 6V	7H X 7V	7H X 6V	6H X 6V
INPUT WATTS	180.3W	180.4W	180.4W	177.3W	177.3W	177.2W	182.1W	182.4W	182.3W
LUMENS	27,639	27,737	26,630	28,472	28,615	27,402	28,558	28,785	27,508
EFFICACY	153.3	153.8	147.6	160.6	161.4	154.6	156.8	157.8	150.9
CRI	83	83	83	83	84	84	83	83	83
VOLTAGE RATINGS	480V								

X22-250@ 160W	3000K			4000K			5000K		
BEAM SETTING	90°	75°	55°	90°	75°	55°	90°	75°	55°
NEMA TYPE	7H X 7V	7H X 6V	6H X 6V	7H X 7V	7H X 6V	6H X 6V	7H X 7V	7H X 6V	6H X 6V
INPUT WATTS	158.6W	159.5W	158.6W	157.2W	156.9W	157.2W	160.8W	160.7W	160.9W
LUMENS	24,752	24,545	23,859	25,513	24,976	24,533	25,416	24,961	24,448
EFFICACY	156.1	153.9	150.4	162.3	159.2	156.1	158.1	155.3	151.9
CRI	83	83	83	83	84	84	83	83	83
VOLTAGE RATINGS	120-277V								

X22-250@ 160W	3000K			4000K			5000K		
BEAM SETTING	90°	75°	55°	90°	75°	55°	90°	75°	55°
NEMA TYPE	7H X 7V	7H X 6V	6H X 6V	7H X 7V	7H X 6V	6H X 6V	7H X 7V	7H X 6V	6H X 6V
INPUT WATTS	154.9W	154.9W	155W	152.9W	152.9W	152.9W	157.1W	157.2W	157.3W
LUMENS	24,136	24,224	23,207	24,687	24,814	23,711	24,762	24,961	23,802
EFFICACY	155.8	156.4	149.7	161.5	162.3	155.1	157.6	158.8	151.3
CRI	83	83	83	83	84	84	83	83	83
VOLTAGE RATINGS	480V								

X22 5-Way Selectable Floodlight



PERFORMANCE

X22-320@ 320W	3000K			4000K			5000K		
BEAM SETTING	90°	75°	55°	90°	75°	55°	90°	75°	55°
NEMA TYPE	7H X 7V	7H X 6V	6H X 6V	7H X 7V	7H X 6V	6H X 6V	7H X 7V	7H X 6V	6H X 6V
INPUT WATTS	318.8W	319W	318.8W	309.1W	309.3W	309.3W	320.7W	320.1W	319.8W
LUMENS	42,990	43,098	41,691	45,462	45,989	44,094	45,473	45,625	43,683
EFFICACY	134.8	135.1	130.8	147.1	148.7	142.6	141.8	142.5	136.6
CRI	82	82	82	83	83	83	83	82	83
VOLTAGE RATINGS	120-277V								

X22-320@ 320W	3000K			4000K			5000K		
BEAM SETTING	90°	75°	55°	90°	75°	55°	90°	75°	55°
NEMA TYPE	7H X 7V	7H X 6V	6H X 6V	7H X 7V	7H X 6V	6H X 6V	7H X 7V	7H X 6V	6H X 6V
INPUT WATTS	312.3W	312.2W	312W	302.4W	302.6W	302.2W	313.4W	313.2W	313.2W
LUMENS	43,342	43,544	41,746	45,705	46,152	44,028	45,820	45,845	44,034
EFFICACY	138.8	139.5	133.8	151.1	152.5	145.7	146.2	146.4	140.6
CRI	82	82	82	84	83	83	83	83	82
VOLTAGE RATINGS	480V								

X22-320@ 280W	3000K			4000K			5000K		
BEAM SETTING	90°	75°	55°	90°	75°	55°	90°	75°	55°
NEMA TYPE	7H X 7V	7H X 6V	6H X 6V	7H X 7V	7H X 6V	6H X 6V	7H X 7V	7H X 6V	6H X 6V
INPUT WATTS	279.9W	279.9W	280W	272.5W	272.5W	272.7W	282.7W	282W	282W
LUMENS	38,941	38,987	37,766	40,933	41,353	39,703	40,943	41,025	39,333
EFFICACY	139.1	139.3	134.9	150.2	151.8	145.6	144.8	145.5	139.5
CRI	82	82	82	83	83	83	83	82	83
VOLTAGE RATINGS	120-277V								

X22-320@ 280W	3000K			4000K			5000K		
BEAM SETTING	90°	75°	55°	90°	75°	55°	90°	75°	55°
NEMA TYPE	7H X 7V	7H X 6V	6H X 6V	7H X 7V	7H X 6V	6H X 6V	7H X 7V	7H X 6V	6H X 6V
INPUT WATTS	271.3W	271.2W	271.2W	263.8W	263.9W	263.7W	273.3W	273.2W	273.3W
LUMENS	38,712	38,901	37,311	40,578	40,984	39,114	40,680	40,711	39,120
EFFICACY	142.7	143.4	137.6	153.8	155.3	148.3	148.8	149.0	143.1
CRI	82	82	82	84	83	83	83	83	82
VOLTAGE RATINGS	480V								

X22 5-Way Selectable Floodlight



PERFORMANCE

X22-320@ 240W	3000K			4000K			5000K		
BEAM SETTING	90°	75°	55°	90°	75°	55°	90°	75°	55°
NEMA TYPE	7H X 7V	7H X 6V	6H X 6V	7H X 7V	7H X 6V	6H X 6V	7H X 7V	7H X 6V	6H X 6V
INPUT WATTS	239.8W	240.8W	239.9W	234.4W	235.3W	234.6W	243.2W	243.6W	242.6W
LUMENS	34,513	35,027	33,458	36,023	36,891	34,926	36,032	36,599	34,601
EFFICACY	143.9	145.5	139.5	153.7	156.8	148.9	148.2	150.2	142.6
CRI	83	82	82	83	83	83	83	82	83
VOLTAGE RATINGS	120-277V								

X22-320@ 240W	3000K			4000K			5000K		
BEAM SETTING	90°	75°	55°	90°	75°	55°	90°	75°	55°
NEMA TYPE	7H X 7V	7H X 6V	6H X 6V	7H X 7V	7H X 6V	6H X 6V	7H X 7V	7H X 6V	6H X 6V
INPUT WATTS	232.4W	232.2W	232.2W	226.8W	226.9W	226.7W	235.1W	234.8W	235W
LUMENS	34,076	34,279	32,852	35,467	35,860	34,197	35,556	35,621	34,202
EFFICACY	146.6	147.6	141.5	156.4	158.0	150.8	151.2	151.7	145.5
CRI	83	82	82	84	83	83	83	83	82
VOLTAGE RATINGS	480V								

X22-320@ 200W	3000K			4000K			5000K		
BEAM SETTING	90°	75°	55°	90°	75°	55°	90°	75°	55°
NEMA TYPE	7H X 7V	7H X 6V	6H X 6V	7H X 7V	7H X 6V	6H X 6V	7H X 7V	7H X 6V	6H X 6V
INPUT WATTS	203.6W	204.1W	203.8W	199.8W	200.3W	200.1W	207.3W	207.3W	206.9W
LUMENS	30,197	30,517	29,268	31,295	31,913	30,336	31,302	31,660	30,053
EFFICACY	148.3	149.5	143.6	156.6	159.3	151.6	151.0	152.7	145.3
CRI	83	83	83	83	83	83	83	82	83
VOLTAGE RATINGS	120-277V								

X22-320@ 200W	3000K			4000K			5000K		
BEAM SETTING	90°	75°	55°	90°	75°	55°	90°	75°	55°
NEMA TYPE	7H X 7V	7H X 6V	6H X 6V	7H X 7V	7H X 6V	6H X 6V	7H X 7V	7H X 6V	6H X 6V
INPUT WATTS	197.1W	197.1W	197.1W	193.1W	193.3W	193.2W	200.2W	200.1W	200.2W
LUMENS	29,628	29,761	28,533	30,618	30,913	29,491	30,695	30,707	29,495
EFFICACY	150.3	151.0	144.8	158.6	159.9	152.6	153.3	153.5	147.3
CRI	83	83	83	84	83	83	83	83	82
VOLTAGE RATINGS	480V								

X22 5-Way Selectable Floodlight



PERFORMANCE

X22-420@ 420W	3000K			4000K			5000K		
BEAM SETTING	90°	75°	55°	90°	75°	55°	90°	75°	55°
NEMA TYPE	7H X 7V	7H X 6V	6H X 6V	7H X 7V	7H X 6V	6H X 6V	7H X 7V	7H X 6V	6H X 6V
INPUT WATTS	415.4W	417.5W	415.7W	404.7W	405.2W	404.4W	417.4W	417.0W	416.6W
LUMENS	60,622	61,054	57,558	63,993	63,853	60,400	64,206	63,706	60,515
EFFICACY	145.9	146.2	138.5	158.1	157.6	149.4	153.8	152.8	145.3
CRI	82	82	83	84	84	83	83	83	83
VOLTAGE RATINGS	120-277V								

X22-420@ 420W	3000K			4000K			5000K		
BEAM SETTING	90°	75°	55°	90°	75°	55°	90°	75°	55°
NEMA TYPE	7H X 7V	7H X 6V	6H X 6V	7H X 7V	7H X 6V	6H X 6V	7H X 7V	7H X 6V	6H X 6V
INPUT WATTS	420.2W	421.3W	420.8W	409.7W	409.9W	409.6W	420.9W	422.2W	422.0W
LUMENS	62,235	62,343	59,037	65,845	65,661	62,299	65,477	65,458	62,056
EFFICACY	148.1	148.0	140.3	160.7	160.2	152.1	155.6	155.0	147.1
CRI	82	82	82	84	84	83	83	83	83
VOLTAGE RATINGS	480V								

X22-420@ 380W	3000K			4000K			5000K		
BEAM SETTING	90°	75°	55°	90°	75°	55°	90°	75°	55°
NEMA TYPE	7H X 7V	7H X 6V	6H X 6V	7H X 7V	7H X 6V	6H X 6V	7H X 7V	7H X 6V	6H X 6V
INPUT WATTS	378.2W	378.5W	376.1W	369.9W	368.8W	367.3W	381.5W	379.6W	378.4W
LUMENS	56,571	56,257	53,017	59,358	58,483	55,301	59,556	58,348	55,406
EFFICACY	149.6	148.6	141.0	160.5	158.6	150.6	156.1	153.7	146.4
CRI	82	82	83	84	84	83	83	83	83
VOLTAGE RATINGS	120-277V								

X22-420@ 380W	3000K			4000K			5000K		
BEAM SETTING	90°	75°	55°	90°	75°	55°	90°	75°	55°
NEMA TYPE	7H X 7V	7H X 6V	6H X 6V	7H X 7V	7H X 6V	6H X 6V	7H X 7V	7H X 6V	6H X 6V
INPUT WATTS	375.2W	376.8W	376.3W	367.3W	368.1W	367.7W	377.3	379.1W	378.9W
LUMENS	56,446	566,71	53,746	59,362	59,329	56,375	59,030	59,146	56,155
EFFICACY	150.4	150.4	142.8	161.6	161.2	153.3	156.5	156.0	148.2
CRI	82	82	83	84	84	83	83	83	83
VOLTAGE RATINGS	480V								

X22 5-Way Selectable Floodlight



PERFORMANCE

X22-420@ 340W	3000K			4000K			5000K		
BEAM SETTING	90°	75°	55°	90°	75°	55°	90°	75°	55°
NEMA TYPE	7H X 7V	7H X 6V	6H X 6V	7H X 7V	7H X 6V	6H X 6V	7H X 7V	7H X 6V	6H X 6V
INPUT WATTS	337.2W	336.8W	336.6W	331.1W	329.5W	330.1W	341.5W	339.1W	340W
LUMENS	51,345	50,930	48,436	53,496	52,572	50,167	53,674	52,451	50,262
EFFICACY	152.3	151.2	143.9	161.6	159.6	152.0	157.2	154.7	147.8
CRI	82	82	83	84	84	83	83	83	83
VOLTAGE RATINGS	120-277V								

X22-420@ 340W	3000K			4000K			5000K		
BEAM SETTING	90°	75°	55°	90°	75°	55°	90°	75°	55°
NEMA TYPE	7H X 7V	7H X 6V	6H X 6V	7H X 7V	7H X 6V	6H X 6V	7H X 7V	7H X 6V	6H X 6V
INPUT WATTS	336.6W	337.9W	337.4W	330.8W	331.4W	331W	339.9W	341.3W	341.1W
LUMENS	51,459	51,661	49,044	53,736	53,703	51,081	53,436	53,537	50,882
EFFICACY	152.9	152.9	145.4	162.4	162.0	154.3	157.2	156.9	149.2
CRI	82	82	83	84	84	83	83	83	83
VOLTAGE RATINGS	480V								

X22-420@ 300W	3000K			4000K			5000K		
BEAM SETTING	90°	75°	55°	90°	75°	55°	90°	75°	55°
NEMA TYPE	7H X 7V	7H X 6V	6H X 6V	7H X 7V	7H X 6V	6H X 6V	7H X 7V	7H X 6V	6H X 6V
INPUT WATTS	295.0W	294.8W	294.7W	290.9W	289.5W	290.1W	300W	298W	298.9W
LUMENS	45,952	45,597	43,487	47,537	46,734	44,722	47,695	46,626	44,807
EFFICACY	155.8	154.7	147.6	163.4	161.4	154.2	159.0	156.5	149.9
CRI	82	82	83	84	84	83	83	83	83
VOLTAGE RATINGS	120-277V								

X22-420@ 300W	3000K			4000K			5000K		
BEAM SETTING	90°	75°	55°	90°	75°	55°	90°	75°	55°
NEMA TYPE	7H X 7V	7H X 6V	6H X 6V	7H X 7V	7H X 6V	6H X 6V	7H X 7V	7H X 6V	6H X 6V
INPUT WATTS	297.3W	299.4W	298.3W	293.3W	294.8W	293.8W	301.4W	303.6W	302.7W
LUMENS	46,153	46,476	44,046	47,854	47,971	45,550	47,586	47,822	45,372
EFFICACY	155.2	155.2	147.7	163.2	162.7	155.0	157.9	157.5	149.9
CRI	82	83	83	84	84	83	83	83	83
VOLTAGE RATINGS	480V								

X22 5-Way Selectable Floodlight



PERFORMANCE

X22-500@ 500W	3000K			4000K			5000K		
BEAM SETTING	90°	75°	55°	90°	75°	55°	90°	75°	55°
NEMA TYPE	7H X 7V	7H X 6V	6H X 6V	7H X 7V	7H X 6V	6H X 6V	7H X 7V	7H X 6V	6H X 6V
INPUT WATTS	495.5W	495.5W	494.1W	481.7W	479.5W	481.1W	496.2W	495.4W	495.9W
LUMENS	69,392	69,306	65,359	74,093	72,901	69,793	73,110	72,570	68,920
EFFICACY	140.0	139.9	132.3	153.8	152.0	145.1	147.3	146.5	139.0
CRI	82	82	82	83	83	83	83	83	83
VOLTAGE RATINGS	120-277V								

X22-500@ 500W	3000K			4000K			5000K		
BEAM SETTING	90°	75°	55°	90°	75°	55°	90°	75°	55°
NEMA TYPE	7H X 7V	7H X 6V	6H X 6V	7H X 7V	7H X 6V	6H X 6V	7H X 7V	7H X 6V	6H X 6V
INPUT WATTS	491.8W	492.5W	491.5W	476.5W	476.8W	476.5W	493.6W	493.3W	493W
LUMENS	70,106	70,133	66,240	74,455	74,100	70,402	74,374	73,514	69,848
EFFICACY	142.5	142.4	134.8	156.3	155.4	147.7	150.7	149.0	141.7
CRI	82	82	82	83	83	83	83	82	82
VOLTAGE RATINGS	480V								

X22-500@ 450W	3000K			4000K			5000K		
BEAM SETTING	90°	75°	55°	90°	75°	55°	90°	75°	55°
NEMA TYPE	7H X 7V	7H X 6V	6H X 6V	7H X 7V	7H X 6V	6H X 6V	7H X 7V	7H X 6V	6H X 6V
INPUT WATTS	456.3W	455.4W	455.6W	445.4W	442.5W	445.4W	458.8W	457.1W	459.1W
LUMENS	65,046	64,593	61,515	69,036	67,536	65,294	68,120	67,229	64,477
EFFICACY	142.6	141.8	135.0	155.0	152.6	146.6	148.5	147.1	140.4
CRI	82	82	82	83	83	83	83	83	83
VOLTAGE RATINGS	120-277V								

X22-500@ 450W	3000K			4000K			5000K		
BEAM SETTING	90°	75°	55°	90°	75°	55°	90°	75°	55°
NEMA TYPE	7H X 7V	7H X 6V	6H X 6V	7H X 7V	7H X 6V	6H X 6V	7H X 7V	7H X 6V	6H X 6V
INPUT WATTS	452.4W	453.1W	452.3W	440.1W	440.4W	440.3W	455.9W	455.7W	455.5W
LUMENS	65,564	65,310	61,985	69,213	68,590	65,484	69,138	68,048	64,969
EFFICACY	144.9	144.1	137.0	157.3	155.7	148.7	151.7	149.3	142.6
CRI	82	82	82	83	83	83	83	82	82
VOLTAGE RATINGS	480V								

X22 5-Way Selectable Floodlight



PERFORMANCE

X22-500@ 420W	3000K			4000K			5000K		
BEAM SETTING	90°	75°	55°	90°	75°	55°	90°	75°	55°
NEMA TYPE	7H X 7V	7H X 6V	6H X 6V	7H X 7V	7H X 6V	6H X 6V	7H X 7V	7H X 6V	6H X 6V
INPUT WATTS	418.4W	417.5W	418.2W	410W	407.3W	410.5W	422.3W	420.8W	423.1W
LUMENS	60,873	60,437	57,706	64,152	62,746	60,820	63,301	62,461	60,059
EFFICACY	145.5	144.8	138.0	156.5	154.1	148.2	149.9	148.4	141.9
CRI	82	82	82	83	83	83	83	83	83
VOLTAGE RATINGS	120-277V								

X22-500@ 420W	3000K			4000K			5000K		
BEAM SETTING	90°	75°	55°	90°	75°	55°	90°	75°	55°
NEMA TYPE	7H X 7V	7H X 6V	6H X 6V	7H X 7V	7H X 6V	6H X 6V	7H X 7V	7H X 6V	6H X 6V
INPUT WATTS	414.3W	414.8W	414.2W	404.6W	404.8W	404.8W	419.1W	418.8W	418.8W
LUMENS	61,158	60,847	57,832	64,108	63,453	60,667	64,038	62,951	60,189
EFFICACY	147.6	146.7	139.6	158.4	156.8	149.9	152.8	150.3	143.7
CRI	82	82	82	83	83	83	83	82	82
VOLTAGE RATINGS	480V								

X22-500@ 380W	3000K			4000K			5000K		
BEAM SETTING	90°	75°	55°	90°	75°	55°	90°	75°	55°
NEMA TYPE	7H X 7V	7H X 6V	6H X 6V	7H X 7V	7H X 6V	6H X 6V	7H X 7V	7H X 6V	6H X 6V
INPUT WATTS	382.7W	381.6W	382.8W	376.5W	373.7W	377.2W	387.8W	386.1W	388.8W
LUMENS	56,792	56,304	53,877	59,427	58,040	56,381	58,638	57,777	55,676
EFFICACY	148.4	147.5	140.7	157.8	155.3	149.5	151.2	149.6	143.2
CRI	82	83	83	83	83	83	83	83	83
VOLTAGE RATINGS	120-277V								

X22-500@ 380W	3000K			4000K			5000K		
BEAM SETTING	90°	75°	55°	90°	75°	55°	90°	75°	55°
NEMA TYPE	7H X 7V	7H X 6V	6H X 6V	7H X 7V	7H X 6V	6H X 6V	7H X 7V	7H X 6V	6H X 6V
INPUT WATTS	376.3W	376.5W	376.1W	369W	368.9W	369W	382.2W	381.6W	381.8W
LUMENS	56,519	56,206	53,464	58,825	58,198	55,687	58,761	57,737	55,249
EFFICACY	150.2	149.3	142.2	159.4	157.8	150.9	153.7	151.3	144.7
CRI	82	83	83	83	83	83	83	82	82
VOLTAGE RATINGS	480V								

X22 5-Way Selectable Floodlight



ACCESSORIES

IMAGE	SKU#	UPC	DESCRIPTION
	X22-250/320LENS4H4V	192552038539	HIGH POWER 4H4V LENS FOR X22 250W AND 320W MODELS
	X22-420/500LENS4H4V	192552038546	HIGH POWER 4H4V LENS FOR X22 420W AND 500W MODELS
	X22YOKE60	192552032919	X22-60 YOKE MOUNT KIT BRONZE
	X22YOKE60W	192552032940	X22-60 YOKE MOUNT KIT WHITE

ORDERING MATRIX

X22 Field-Adjustable Flood Light

Family	Wattage	Mounting	Finish	Optics/NEMA Type	Voltage Rating	Option
X22	-					
	20	20/17/13/10W	BLANK:	20W and 35W:	BLANK	20W-150W
	35	35/30/25/20W		knuckle mount installed	W	Selectable on/off
	60	60/50/40/30W	BLANK	Yoke included	W	Photocell
	80	80/70/60/50W	Bronze	60W and 80W:	BLANK	250W-500W:
	150	150/125/100/75W	White	knuckle mount installed	W	7-Pin receptacle
	250	250/220/190/160W		Trunnion included	W	shorting cap +
	320	320/280/240/200W		150W - 500W:	W	3-pin twistlock photocell
	420	420/380/340/300W		Slipfitter installed	W	
	500	500/450/420/380W		Trunnion included	W	

* 480V Only available on 150W-500W

Note: Selectable Beam Angle (30°/25°/20°) NEMA Type 4H4V, sold as an accessory