

VXRGB26, Field-Adjustable Vapor Proof Light



VXRGB26 @ 90°



VXRGB26 @ 180°

PROJECT: _____

DATE: _____

TYPE: _____

PREPARED BY: _____



KEY FEATURES

- Available in one size and adjustable wattages
VX20: 26/18/12W (Default **18W**)
- Selectable: RED/GREEN/BLUE/5000K (Default **5000K**)
- Built-in ON/OFF photocell (Default **OFF**)
- Downlight Only
- 120-277V
- Corrosion resistant polycarbonate housing and lens
- 0-180° adjustable
- Integrated grill
- UL listed for wet locations
- 5-year, limited warranty

Red/Green/Blue/5000K selectable, vapor proof light

IP65
IP RATING

000
FIELD
ADJUSTABLE

**VANDAL
RESISTANT**

**100,000
HRS**

**WET
RATED**

PERFORMANCE

VXRGB26

VX20	RED	GREEN	BLUE	5000K	RED	GREEN	BLUE	5000K	RED	GREEN	BLUE	5000K	
WATTAGE	26W				18W				12W				
INPUT WATTS	20.0W	24.8W	26.6W	27.9W	13.4W	16.7W	17.7W	19.2W	9.0W	11.2W	11.9W	13.0W	
LUMENS	452	1402	635	3151	347	1144	483	2294	268	898	351	1580	
EFFICACY	22.6	24.8	23.9	112.9	26.0	68.7	27.3	119.5	29.8	80.2	29.5	121.5	
CRI									84				
VOLTAGE RATINGS	120-277V				120-277V				120-277V				

TECHNICAL SPECIFICATIONS

COMPLIANCE

UL Listed
UL listed for wet locations

FIELD ADJUSTABLE

Color temperature: Selectable by Red/Green/Blue/5000K (Default 5000K)

Selectable wattages: 26/18/12W (Default 18W)

Photocell: ON/OFF (Default OFF)

LED CHARACTERISTICS

LEDs
Long-life, high-efficacy, discrete LEDs

TECHNICAL SPECIFICATIONS (CONTINUED)

CONSTRUCTION

Cold Weather starting

Minimum starting temperature is -30°C (-22°F)

Maximum Ambient Temperature

Suitable for use in up to 45°C (113°F)

Housing

Die cast aluminum

Mounting

Surface mount

Tilt Increment

10°

Lens

Polycarbonate

Reflector

Polycarbonate

Gasket

Silicone

IP Rating

Ingress protection rating of IP656 for dust and water

Green Technology

Mercury and UV free. RoHS-compliant components.

Finish

Formulated for high durability and long lasting color

ELECTRICAL

Drivers:

Constant Current, Class 2, 120-277V, 50/60 Hz

VXRGB26

26W: 120V: 0.23A, 208V: 0.14A, 240V: 0.12A, 277V: 0.11A

18W: 120V: 0.15A, 208V: 0.09A, 240V: 0.08A, 277V: 0.07A

12W: 120V: 0.10A, 208V: 0.06A, 240V: 0.06, 277V: 0.05A

Photocell:

Integrated ON/OFF photocell

Surge Protection:

4kV

THD (5000K):

26W: 7.4% @120V, 12.7% @ 277V

18W: 4.9% @120V, 17.8% @ 277V

12W: 6.1% @120V, 20.2% @ 277V

Power Factor (5000K):

26W: 99.3% @120V, 90.8% @ 277V

18W: 98.9% @120V, 85.8% @ 277V

12W: 98.1% @120V, 75.8% @ 277V

Note

All values are typical (tolerance +/- 10%)

OTHER

Warranty

The RAB 5-year, limited warranty covers light output, driver performance and paint finish. RAB's warranty is subject to all terms and conditions found at rablighting.com/warranty.

Lifespan

100,000-hour LED lifespan based on IES LM-80 results and TM-21 calculations

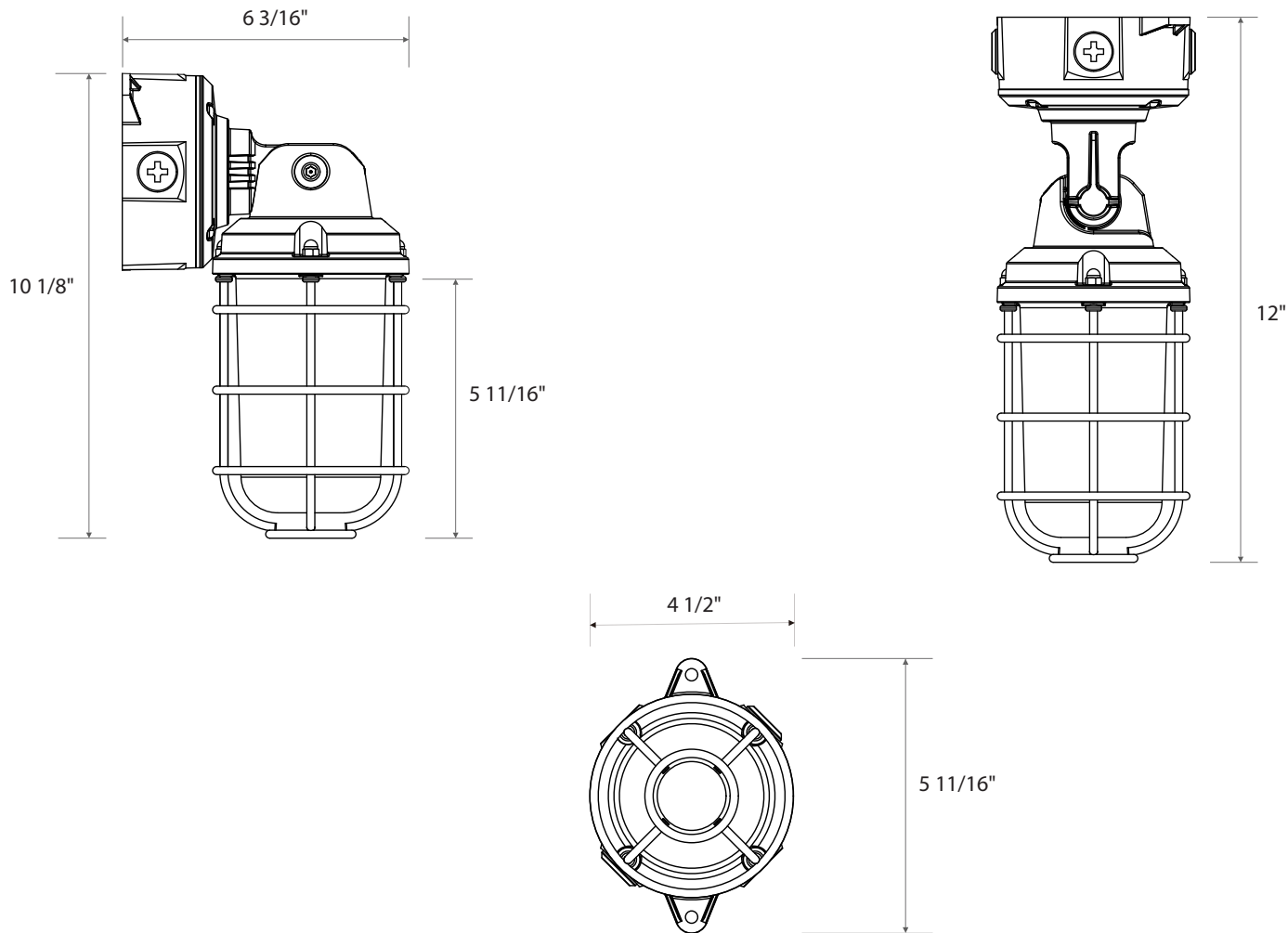
VXRGB26, Field-Adjustable Vapor Proof Light



DIMENSIONS

VXRGB26

Weighs: 2.77 lbs



ORDERING MATRIX

VXRGB

Family	Wattage/Size	Color Temperature	Finish	Optics	Driver
VXRGB	26 26/18/12W	BLANK Red/Green/Blue/5000K	BLANK Natural Shot Blasted Aluminum	BLANK Downlight	BLANK 120-277V, On/Off Photocell