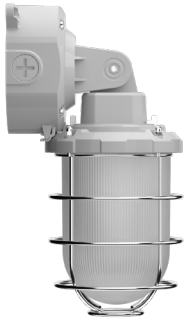


# VX20, Field-Adjustable Vapor Proof Light



VX20 @ 90°



VX20 @ 180°

PROJECT: \_\_\_\_\_

DATE: \_\_\_\_\_

TYPE: \_\_\_\_\_

PREPARED BY: \_\_\_\_\_



## KEY FEATURES

- Available in one size and adjustable wattages  
VX20: 20/16/12W (Default **20W**)
- Field-adjustable CCT: 3000K/4000K/5000K (Default **5000K**)
- Built-in On/Off photocell
- On/Off up light
- 120-277V
- Corrosion resistant polycarbonate housing and lens
- 0-180° adjustable
- Integrated grill
- UL listed for wet locations
- 5-year, limited warranty

Field-adjustable vapor proof light with uplight and Downlight application

**IP65**  
IP RATING

**000**  
FIELD  
ADJUSTABLE

**VANDAL  
RESISTANT**

**100,000  
HRS**

**WET  
RATED**

## PERFORMANCE

### VX20 (DOWNLIGHT)

VX20	3000K	4000K	5000K	3000K	4000K	5000K	3000K	4000K	5000K
WATTAGE	20W			16W			12W		
INPUT WATTS	19.8W	19.4W	19.8W	16.7W	16.4W	16.7W	12.4W	12.2W	12.3W
LUMENS	2,230	2,396	2,421	1,914	2,039	2,077	1,453	1,532	1,571
EFFICACY	112.6	123.5	122.3	114.6	124.3	124.4	117.2	125.6	127.7
CRI	83	86	85	83	86	85	83	86	85
VOLTAGE RATINGS	120-277V			120-277V			120-277V		

### VX20 (UP + DOWNLIGHT)

VX20	3000K	4000K	5000K	3000K	4000K	5000K	3000K	4000K	5000K
WATTAGE	20W			16W			12W		
INPUT WATTS	19.8W	19.4W	19.8W	16.7W	16.4W	16.6W	12.3W	12.1W	12.3W
LUMENS	2,195	2,340	2,355	1872	1,985	2,010	1,405	1,484	1,518
EFFICACY	110.9	120.6	119.5	112.1	121.0	121.1	114.2	122.6	123.4
CRI	83	86	85	83	86	85	84	86	85
VOLTAGE RATINGS	120-277V			120-277V			120-277V		

## TECHNICAL SPECIFICATIONS

### CONSTRUCTION

#### Cold Weather starting

Minimum starting temperature is -40°C (-40°F)

#### Maximum Ambient Temperature

Suitable for use in up to 45°C (113°F)

#### Housing

Polycarbonate

#### Mounting

Retrofit mounting plates for ceiling mounting

#### Tilt Increment

10°

#### Lens

Polycarbonate

#### Reflector

Polycarbonate

#### Gasket

Silicone

#### IP Rating

Ingress protection rating of IP65 for dust and water

#### Green Technology

Mercury and UV free. RoHs-compliant components.

#### Finish

Formulated for high durability and long lasting color

### COMPLIANCE

#### UL Listed

UL listed for wet locations

### LED CHARACTERISTICS

#### LEDS

Long-life, high-efficacy, discrete LEDs

### FIELD ADJUSTABLE

**Color temperature:** Selectable by 3000/4000/5000K (Default 5000K)

**Selectable wattages:** 20/16/12W (Default 20W)

### ELECTRICAL

#### Drivers:

Constant Current, Class 1, 120-277V, 50/60 Hz

#### VX20

**20W:** 120V: 0.17A, 208V: 0.10A, 240V: 0.09A, 277V: 0.08A

**16W:** 120V: 0.14A, 208V: 0.08A, 240V: 0.07A, 277V: 0.06A

**12W:** 120V: 0.10A, 208V: 0.06A, 240V: 0.06, 277V: 0.05A

#### Photocell:

Integrated ON/OFF photocell

#### Surge Protection:

2kV

#### THD (5000K):

**20W(Downlight):** 11.26% @120V, 9.67% @ 277V

**20W(Up+Downlight):** 11.23% @120V, 9.65% @ 277V

#### Power Factor (5000K):

**20W(Downlight):** 98.8% @120V, 93.1% @ 277V

**20W(Up+Downlight):** 98.8% @120V, 93.1% @ 277V

#### Note

All values are typical (tolerance +/- 10%)

### OTHER

#### Warranty

The RAB 5-year, limited warranty covers light output, driver performance and paint finish. RAB's warranty is subject to all terms and conditions found at [rablighting.com/warranty](http://rablighting.com/warranty).

#### Lifespan

100,000-hour LED lifespan based on IES LM-80 results and TM-21 calculations

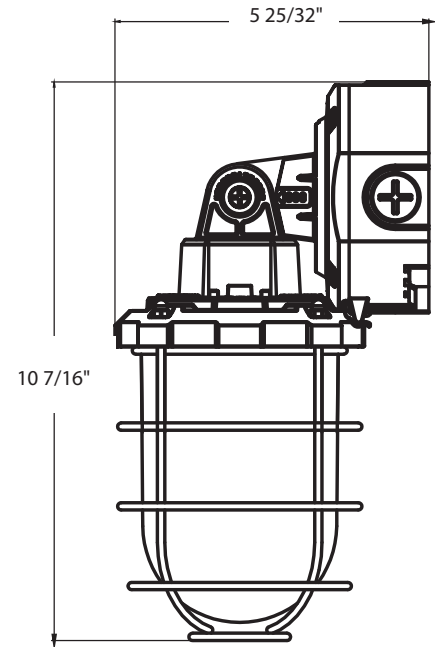
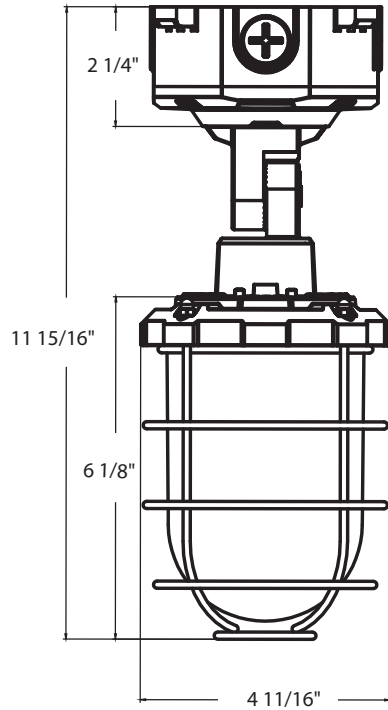
# VX20, Field-Adjustable Vapor Proof Light



## DIMENSIONS

### VX20

Weighs: 1.8 lbs



## ORDERING MATRIX

### VX20

Family	Wattage/Size	Color Temperature	Finish	Optics	Driver
VX	20 20/16/12W	BLANK 3000/4000/5000K CCT Adjustable	BLANK Gray	BLANK Downlight/Up+Downlight	BLANK 120-277V, On/Off Photocell