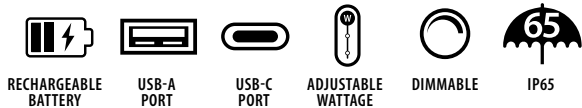




Portable, Rechargeable LED Work Light



PROJECT: _____

DATE: _____

TYPE: _____

PREPARED BY: _____



KEY FEATURES

- Durable, weatherproof construction suitable for outdoor use
- Portable design and stand allows fixture to be used almost anywhere
- 4 lighting modes and 3 brightness levels: 360° 4,000lm; 180° 2,000lm; Spotlight 800lm; Strobe (flashing spotlight)
- Strobing mode where light on top of fixture flashes
- Dimming knob adjusts brightness
- Hanging or tripod mount
- Rechargeable lithium-ion battery (cable included (tuffyxl only))
- Can be used as a power bank to recharge devices
- Lasts up to 12 hours on a single charge without reducing brightness

PERFORMANCE

Catalog Number	Wattage	Lumens	Run time	Efficacy lm/W	Color temperature	CRI	LED Lifespan
TUFFYXL	32W	4,000 lm	4 Hours	125 lm/W	5000K	80	20,000 Hours
		2,000 lm	8 Hours				
		800 lm	12 Hours				

TECHNICAL SPECIFICATIONS

CONSTRUCTION

Product type
LED Rechargeable Work Light

Housing material
Rugged impact resistant design with IP65 rating for wet locations and outdoor use

Fixture Finish
Black & Red

Lens
Clear, durable polycarbonate lens

Mounting
Comes with own built in stand with tiltable light column
Includes hanging hook and 1/4" threaded hole for tripod or eyelet mounting (not included)

USB ports
USB-C Input for recharging fixture. USB-C Fast charging cable include in box
USB-C & USB-A Output for recharging mobile device

ELECTRICAL

Lumens
4 Lighting modes via knob selector on fixture housing. Lumens stay constant and don't depreciate over the battery run time.
360° Lighting - 4,000 lumens constant for 4 hours
180° Lighting - 2,000 lumens constant for 8 hours
Spotlight - 800 lumens constant for 12 hours
Strobing / Flashing spotlight

Color Temperature
5000K

Battery
Rechargeable lithium-ion battery

TECHNICAL SPECIFICATIONS (CONT.)

COMPLIANCE

Listing

UL Listed

Environment/Fixture Rating

Wet location

FCC

Complies with Part 15 of the FCC Rules.

RoHS

Mercury and UV free. RoHS-compliant components.

IP Rating

IP65

OTHER

Warranty

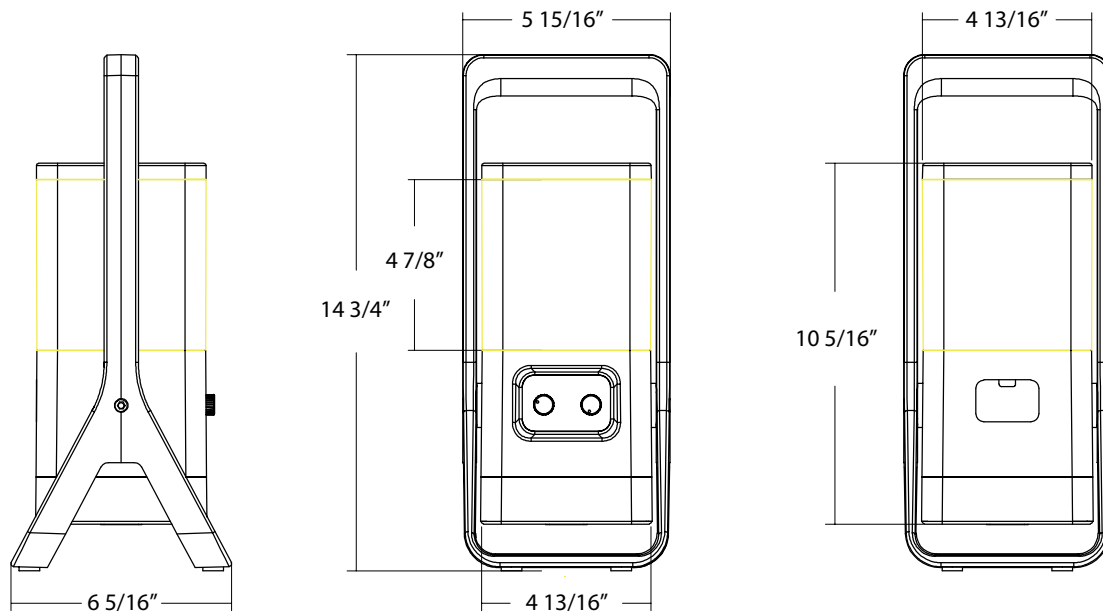
RAB warrants that our LED products will be free from defects in materials and workmanship for a period of three (3) years from the date of delivery to the end user, including coverage of light output, color stability, driver performance and fixture finish.

RAB's warranty is subject to all terms and conditions found at rablighting.com/warranty.

DIMENSIONS

TUFFYXL

Weight: 4.40 lbs



ORDERING INFO

Catalog Number	Model Number	UPC	Case Pack
TUFFYXL	TUFFYXL	192552039765	4