



PROJECT: _____

DATE: _____

TYPE: _____

PREPARED BY: _____



5 CCT Adjustable, Small-Aperature Downlights & Gimbals



KEY FEATURES

- High-end trimless design
- 5 Selectable CCTs (2700/3000/3500/4000/5000K)
- Deep regress, remote driver downlight
- No recessed housing or J box required
- 120V TRIAC dimmable driver included
- Available in round & square trims
- Available in white & black

PERFORMANCE

Catalog Number	Type	Shape	Finish	Size	Equivalency	Input Wattage	Lumens	Efficacy	Dim Type	Input Voltage	Color Temperature	L70 Lifespan	Energy Star
GR2STL	Recessed Gimbal	Square	White	2"	40W Incandescent	6W	450 lm	75 lm/W	TRIAC/ELV	120V	Field adjustable via dip switch 2700/3000/3500/4000/5000K	50,000	n/a
GR2STLB		Square	Black										n/a
GR2TL		Round	White										n/a
GR2TLB		Round	Black										n/a
GR3STL		Square	White	3"	60W Incandescent	9W	750lm	83 lm/W					3419026
GR3STLB		Square	Black										3419026
GR3TL		Round	White										3417555
GR3TLB		Round	Black										3417555
GR4STL		Square	White	4"	90W Incandescent	15W	1250 lm	83 lm/W					3419027
GR4STLB		Square	Black										3419027
GR4TL		Round	White										3417556
GR4TLB		Round	Black										3417556

Trimless Downlights



PERFORMANCE (CONT)

Catalog Number	Type	Shape	Finish	Size	Equivalency	Input Wattage	Lumens	Efficacy	Dim Type	Input Voltage	Color Temperature	L70 Lifespan	Energy Star
R2STL	Recessed	Square	White	2"	60W Incandescent	9W	600 lm	67 lm/W	TRIAC/ELV	120V	Field adjustable via dip switch 2700/3000/3500/4000/5000K	50,000	n/a
R2STLB		Square	Black										n/a
R2TL		Round	White										n/a
R2TLB		Round	Black										n/a
R3STL		Square	White	3"	90W Incandescent	15W	1250lm	83 lm/W					3419028
R3STLB		Square	Black										3419028
R3TL		Round	White										3417557
R3TLB		Round	Black										3417557
R4STL		Square	White	4"	125W Incandescent	20W	1900 lm	95 lm/W					3419029
R4STLB		Square	Black										3419029
R4TL		Round	White										3417558
R4TLB		Round	Black										3417558

PERFORMANCE (CONT.)

Catalog Number	Wattage	CCT	Lumens	Efficacy	Equivalency Wattage
R2TL	9W	2700K	564 lm	63 lm/W	60W Incandescent
		3000K	608 lm	69 lm/W	
		3500K	658 lm	78 lm/W	
		4000K	679 lm	179 lm/W	
		5000K	658 lm	73 lm/W	

Catalog Number	Wattage	CCT	Lumens	Efficacy	Equivalency Wattage
R3TL	15W	2700K	1133 lm	78 lm/W	90W Incandescent
		3000K	1233 lm	87 lm/W	
		3500K	1302 lm	94 lm/W	
		4000K	1354 lm	98 lm/W	
		5000K	1352 lm	93 lm/W	

Catalog Number	Wattage	CCT	Lumens	Efficacy	Equivalency Wattage
R4TL	20W	2700K	1767 lm	89 lm/W	125W Incandescent
		3000K	1876 lm	96 lm/W	
		3500K	1995 lm	104 lm/W	
		4000K	2050 lm	105 lm/W	
		5000K	2049 lm	101 lm/W	

Trimless Downlights



PERFORMANCE (CONT)

Catalog Number	Wattage	CCT	Lumens	Efficacy	Equivalency Wattage
GR2TL	6W	2700K	403 lm	67 lm/W	40W Incandescent
		3000K	443 lm	75 lm/W	
		3500K	468 lm	81 lm/W	
		4000K	479 lm	82 lm/W	
		5000K	472 lm	78 lm/W	
GR3TL	9W	2700K	701 lm	81 lm/W	60W Incandescent
		3000K	734 lm	86 lm/W	
		3500K	796 lm	95 lm/W	
		4000K	817 lm	97 lm/W	
		5000K	833 lm	97 lm/W	
GR4TL	15W	2700K	1138 lm	79 lm/W	90W Incandescent
		3000K	1227 lm	87 lm/W	
		3500K	1302 lm	95 lm/W	
		4000K	1353 lm	98 lm/W	
		5000K	1336 lm	93 lm/W	
R2TLB	9W	2700K	516 lm	58 lm/W	90W Incandescent
		3000K	549 lm	63 lm/W	
		3500K	597 lm	70 lm/W	
		4000K	618 lm	82 lm/W	
		5000K	592 lm	66 lm/W	
R2STL	9W	2700K	531 lm	58 lm/W	60W Incandescent
		3000K	577 lm	64 lm/W	
		3500K	628 lm	73 lm/W	
		4000K	645 lm	74 lm/W	
		5000K	918 lm	67 lm/W	

Trimless Downlights



PERFORMANCE (CONT)

Catalog Number	Wattage	CCT	Lumens	Efficacy	Equivalency Wattage
R2STLB	9W	2700K	503 lm	56 lm/W	60W Incandescent
		3000K	547 lm	62 lm/W	
		3500K	594 lm	71 lm/W	
		4000K	608 lm	72 lm/W	
		5000K	583 lm	65 lm/W	

Catalog Number	Wattage	CCT	Lumens	Efficacy	Equivalency Wattage
R3TLB	15W	2700K	1038 lm	70 lm/W	90W Incandescent
		3000K	1113 lm	77 lm/W	
		3500K	1181 lm	83 lm/W	
		4000K	1232 lm	86 lm/W	
		5000K	1217 lm	82 lm/W	

Catalog Number	Wattage	CCT	Lumens	Efficacy	Equivalency Wattage
R3STL	15W	2700K	1089 lm	74 lm/W	90W Incandescent
		3000K	1175 lm	82 lm/W	
		3500K	1240 lm	89 lm/W	
		4000K	1280 lm	91 lm/W	
		5000K	1256 lm	85 lm/W	

Catalog Number	Wattage	CCT	Lumens	Efficacy	Equivalency Wattage
R3STLB	15W	2700K	1045 lm	70 lm/W	90W Incandescent
		3000K	1126 lm	77 lm/W	
		3500K	1118 lm	74 lm/W	
		4000K	1230 lm	86 lm/W	
		5000K	1214 lm	81 lm/W	

Catalog Number	Wattage	CCT	Lumens	Efficacy	Equivalency Wattage
R4TLB	20W	2700K	1618 lm	85 lm/W	125W Incandescent
		3000K	1718 lm	91 lm/W	
		3500K	1815 lm	98 lm/W	
		4000K	1853 lm	99 lm/W	
		5000K	1837 lm	94 lm/W	

Trimless Downlights



PERFORMANCE (CONT)

Catalog Number	Wattage	CCT	Lumens	Efficacy	Equivalency Wattage
R4STL	20W	2700K	1675 lm	86 lm/W	125W Incandescent
		3000K	1785 lm	93 lm/W	
		3500K	1890 lm	100 lm/W	
		4000K	1934 lm	101 lm/W	
		5000K	1913 lm	95 lm/W	

Catalog Number	Wattage	CCT	Lumens	Efficacy	Equivalency Wattage
R4STLB	20W	2700K	1638 lm	84 lm/W	125W Incandescent
		3000K	1735 lm	91 lm/W	
		3500K	1835 lm	98 lm/W	
		4000K	1876 lm	98 lm/W	
		5000K	1853 lm	93 lm/W	

Catalog Number	Wattage	CCT	Lumens	Efficacy	Equivalency Wattage
GR2TLB	6W	2700K	354lm	59 lm/W	40W Incandescent
		3000K	379 lm	64 lm/W	
		3500K	403 lm	70 lm/W	
		4000K	416 lm	72 lm/W	
		5000K	408 lm	68 lm/W	

Catalog Number	Wattage	CCT	Lumens	Efficacy	Equivalency Wattage
GR2STL	6W	2700K	378 lm	65 lm/W	40W Incandescent
		3000K	406 lm	71 lm/W	
		3500K	433 lm	77 lm/W	
		4000K	445 lm	79 lm/W	
		5000K	433 lm	74 lm/W	

Catalog Number	Wattage	CCT	Lumens	Efficacy	Equivalency Wattage
GR2STLB	6W	2700K	374 lm	62 lm/W	40W Incandescent
		3000K	399 lm	68 lm/W	
		3500K	425 lm	74 lm/W	
		4000K	441 lm	77 lm/W	
		5000K	433 lm	72 lm/W	

Trimless Downlights



PERFORMANCE (CONT)

Catalog Number	Wattage	CCT	Lumens	Efficacy	Equivalency Wattage
GR3TLB	9W	2700K	704 lm	81 lm/W	60W Incandescent
		3000K	747 lm	87 lm/W	
		3500K	783 lm	93 lm/W	
		4000K	809 lm	96 lm/W	
		5000K	814 lm	93 lm/W	
GR3STL	9W	2700K	718 lm	83 lm/W	60W Incandescent
		3000K	757 lm	88 lm/W	
		3500K	793 lm	94 lm/W	
		4000K	820 lm	97 lm/W	
		5000K	831 lm	95 lm/W	
GR3STLB	9W	2700K	704 lm	79 lm/W	60W Incandescent
		3000K	747 lm	85 lm/W	
		3500K	785 lm	91 lm/W	
		4000K	816 lm	95 lm/W	
		5000K	825 lm	93 lm/W	
GR4TLB	15W	2700K	1189 lm	81 lm/W	90W Incandescent
		3000K	1190 lm	81 lm/W	
		3500K	1259 lm	88 lm/W	
		4000K	1305 lm	91 lm/W	
		5000K	1289 lm	86 lm/W	
GR4STL	15W	2700K	1146 lm	77 lm/W	90W Incandescent
		3000K	1227 lm	84 lm/W	
		3500K	1296 lm	92 lm/W	
		4000K	1342 lm	95 lm/W	
		5000K	1331 lm	89 lm/W	

Trimless Downlights



PERFORMANCE (CONT)

Catalog Number	Wattage	CCT	Lumens	Efficacy	Equivalency Wattage
GR4STLB	15W	2700K	1130 lm	75 lm/W	90W Incandescent
		3000K	1214 lm	82 lm/W	
		3500K	1283 lm	90 lm/W	
		4000K	1331 lm	93 lm/W	
		5000K	1317 lm	87 lm/W	

TECHNICAL SPECIFICATIONS

CONSTRUCTION

Product Type

Trimless canless downlight with remote driver junction box

Size

2", 3", 4"

Shape

Round and Square

Trim Style

Trimless Mud in Trim

Enclosure Material

Die-cast heatsink and metal trim

Finish

White or black

Lens Finish

Polycarbonate lens distributes light evenly and smoothly for general lighting applications

INSTALLATION

Remote Driver/Junction Box

Die-formed metal driver & junction box with captive hinged junction box cover. Listed for Maximum of (2) 12AWG through branch circuit conductor suitable for 90° C permitted in box. Easy to wire in 1in/1out (plus ground) applications. (4) conduit pry-outs. (3) quick snap-in connectors for quick and reliable line voltage connections. Integral mounting facilitates direct mounting to building structure or mounting frame.

Mounting

Twist & Lock LED module snaps into fixture trim from below the ceiling

ELECTRICAL

Dimmable

Yes, dimmable down to 10% on compatible TRIAC/ELV dimming systems. See Dimmer Compatibility List.

Driver

Constant Current, Class 2

Input Voltage

120V

Operating Frequency

60 Hz

Operating Temperature

-13°F to 104°F (-25°C to 40°C)

THD

≤25%

Power Factor

≥0.9

Flicker

≤30%

LED CHARACTERISTICS

Beam Angle

38°

Tilt

30° for gimbal models

Color Temperature

Field adjustable via dip switch 2700/3000/3500/4000/5000K

Color Accuracy (CRI)

>90

R9 Value

High color performance with R9 greater than 50

Color Consistency

<4-step (2700K & 5000K); <7-step (3000/3500/4000K) MacAdam Ellipse binning to achieve consistent fixture-to-fixture color

Color Stability

LED color temperature is warranted to shift no more than 200K in color temperature over a 5-year period

Color Uniformity

RAB's range of Correlated Color Temperature follows the guidelines of the American National Standard for Specifications for the Chromaticity of Solid State Lighting (SSL) Products, ANSI C78.377-2017.

TECHNICAL SPECIFICATIONS (CONT)

COMPLIANCE

ETL Listed

This product has been tested by Intertek and found in compliance with accepted national standards.

Environment

Suitable for use indoors and outdoors in dry, damp, or wet environments.

IC Rated

Suitable for direct contact with insulation.

Type IC inherently protected, suitable for direct contact to air permeable insulation and cULus listed for damp locations. Not for use in direct contact with spray foam insulation, consult NEMA LSD57-2013.

Air Tight

Housing certified Air Tight as per ASTM E283

Energy Star Approved

No

DLC Listed

No

California Title 20 Compliant

No

California Title 24 JA8 Compliant

Can be used to conform with the requirements of California Title 24 Part 6.

California Energy Commission (CEC) Status

Lawful for Sales in California

NEC Compliant

Suitable for use in closets. Compliant with NEC Sec. 410.16 (A)(1) and 410.16 (C3).

IESNA LM-79 & LM80 Testing

RAB LED luminaires and LED components have been tested by an independent laboratory in accordance with IESNA LM-79 and LM-80.

RoHS

Mercury and UV free. RoHS-compliant components.

FCC

Complies with Part 15 of the FCC Rules

OTHER

Warranty

RAB warrants that our LED products will be free from defects in materials and workmanship for a period of five (5) years from the date of delivery to the end user, including coverage of light output, color stability, driver performance and fixture finish. RAB's warranty is subject to all terms and conditions found at rablighting.com/warranty.

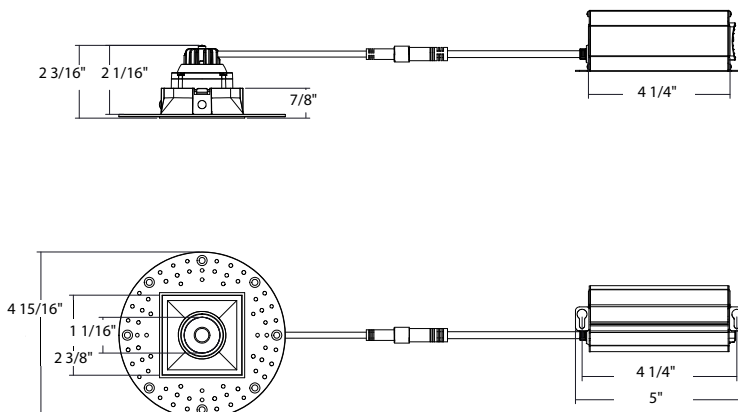
Note

All values are typical (tolerance +/- 10%)

DIMENSIONS

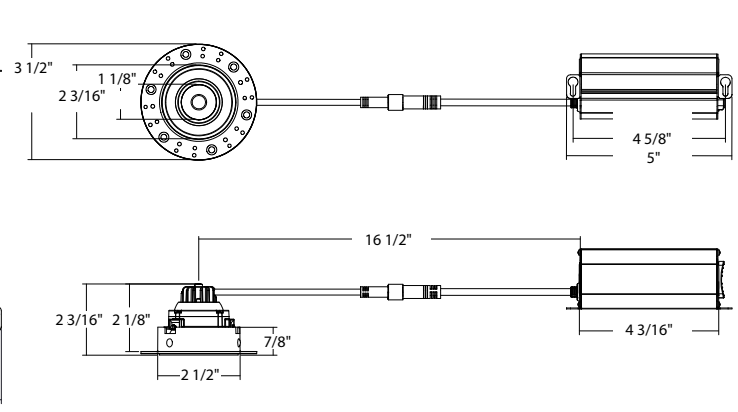
GR2STL/ GR2STLB

Weight: 0.69 lbs



GR2TL/ GR2TLB

Weight: 0.61 lbs



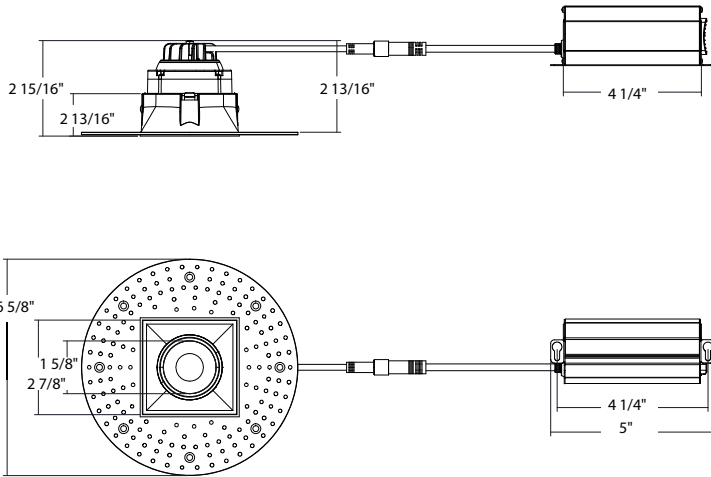
Trimless Downlights



DIMENSIONS (CONT)

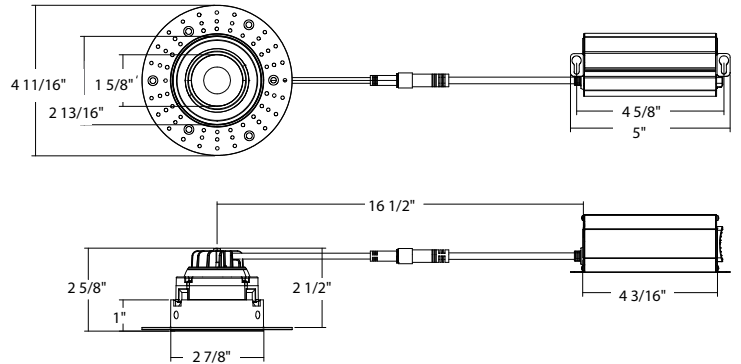
GR3STL/ GR3STLB

Weight: 1.01 lbs



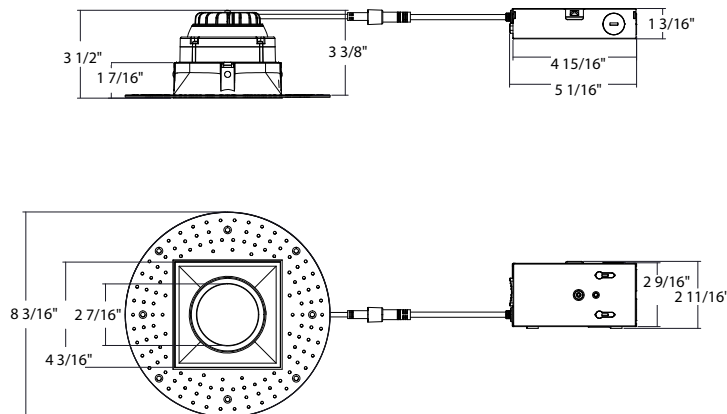
GR3TL/ GR3TLB

Weight: 0.81 lbs



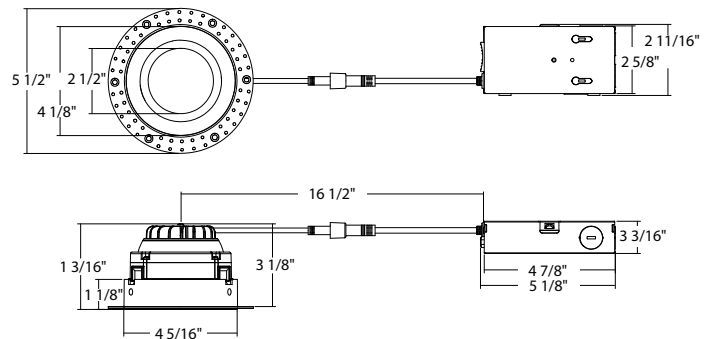
GR4STL/ GR4STLB

Weight: 2.00 lbs



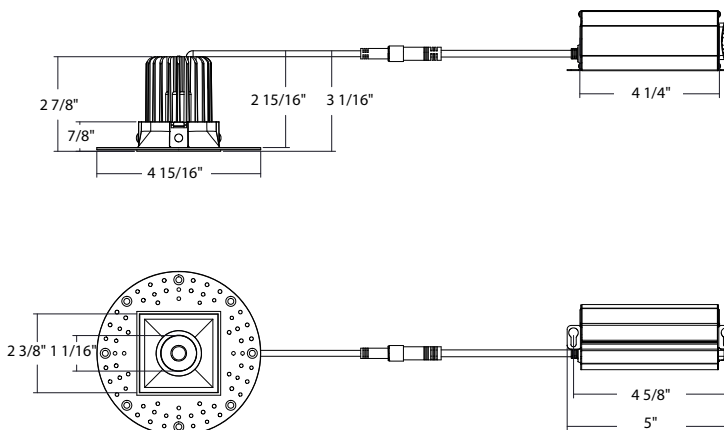
GR4TL/ GR4TLB

Weight: 1.73 lbs



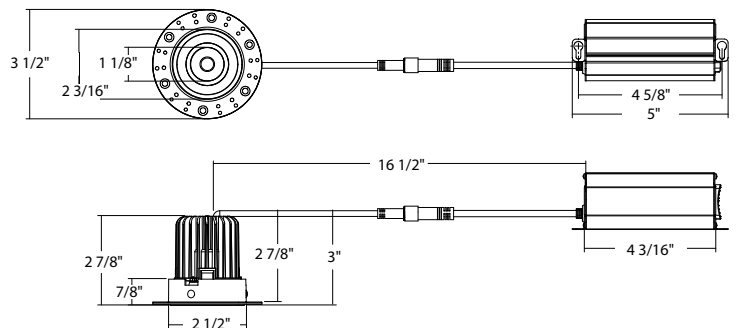
R2STL/ R2STLB

Weight: 0.85 lbs



R2TL/ R2TLB

Weight: 0.78 lbs

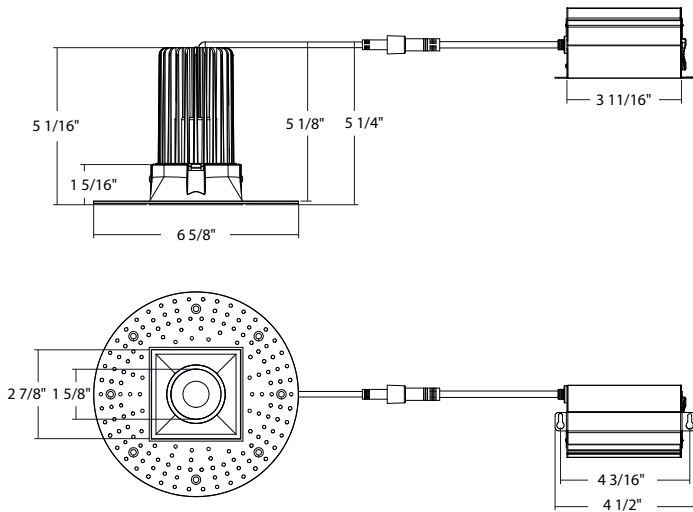


Trimless Downlights

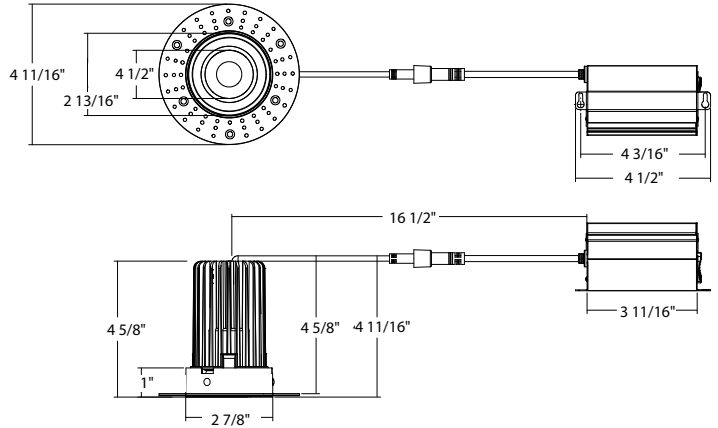


DIMENSIONS (CONT)

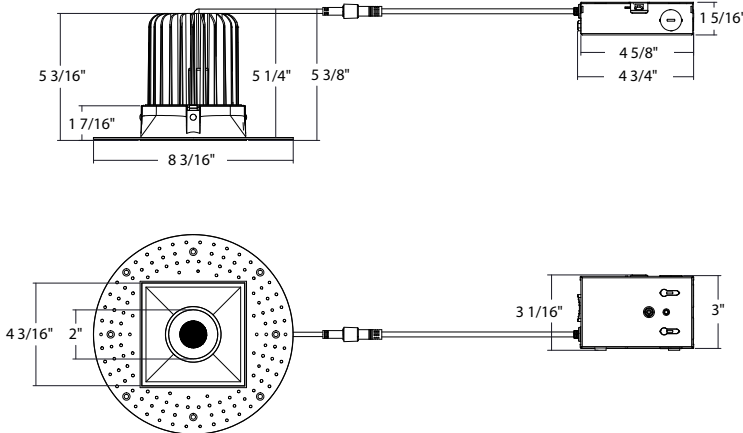
R3STL/ R3STLB
Weight: 1.66 lbs



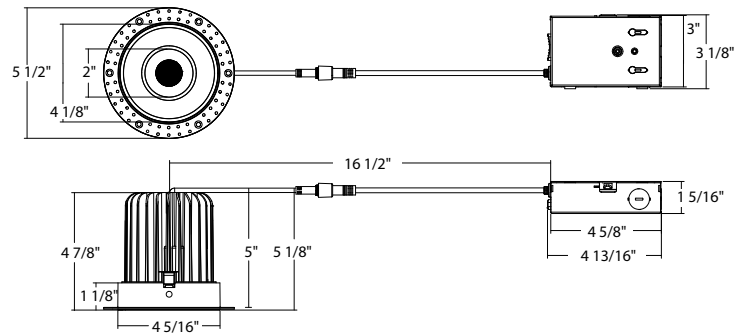
R3TL/ R3TLB
Weight: 1.40 lbs



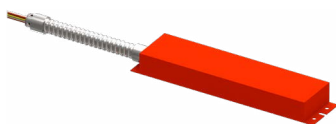
R4STL/ R4STLB
Weight: 2.82 lbs



R4TL/ R4TLB
Weight: 2.44 lbs



ACCESSORIES



Category Number	UPC	Description
DRI-21-EMGR-DC-D10	192552028264	Emergency driver T20

Trimless Downlights



ORDERING INFO

Catalog Number	Model Number	UPC	Case Pack
GR2STL	DLG0021(GR2STL)	192552033893	6
GR2STLB	DLG0022(GR2STLB)	192552033909	6
GR2TL	DLG0019(GR2TL)	192552033879	6
GR2TLB	DLG0020(GR2TLB)	192552033886	6
GR3STL	DLG0025(GR3STL)	192552033930	12
GR3STLB	DLG0026(GR3STLB)	192552033947	12
GR3TL	DLG0023(GR3TL)	192552033916	12
GR3TLB	DLG0024(GR3TLB)	192552033923	12
GR4STL	DLG0029(GR4STL)	192552033978	12
GR4STLB	DLG0030(GR4STLB)	192552033985	12
GR4TL	DLG0027(GR4TL)	192552033954	6
GR4TLB	DLG0028(GR4TLB)	192552033961	6
R2STL	DLR0143(R2STL)	192552033770	12
R2STLB	DLR0144(R2STLB)	192552033787	12
R2TL	DLR0141(R2TL)	192552033756	12
R2TLB	DLR0142(R2TLB)	192552033763	12
R3STL	DLR0147(R3STL)	192552033817	12
R3STLB	DLR0148(R3STLB)	192552033824	12
R3TL	DLR0145(R3TL)	192552033794	12
R3TLB	DLR0146(R3TLB)	192552033800	12
R4STL	DLR0151(R4STL)	192552033855	12
R4STLB	DLR0152(R4STLB)	192552033862	6
R4TL	DLR0149(R4TL)	192552033831	6
R4TLB	DLR0150(R4TLB)	192552033848	6

ORDERING MATRIX

Family	Size/Wattage	Shape	CRI/Color Temp	Voltage/Dimming	Trim	Finish
R	Recessed	Blank	90 CRI; 2700/3000/3500/4000/5000K	Blank 120V; TRIAC/ELV	TL	Blank B White Black
	2 2", 9W	Round				
	3 3", 15W	Square				
	4 4", 20W					
GR	Gimbal Recessed	Blank	90 CRI; 2700/3000/3500/4000/5000K	Blank 120V; TRIAC/ELV	TL	Blank B White Black
	2 2", 6W	Round				
	3 3", 9W	Square				
	4 4", 15W					