

# T8 Type B CCT Adjustable

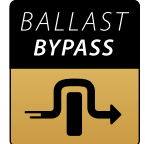


PROJECT: \_\_\_\_\_

DATE: \_\_\_\_\_

TYPE: \_\_\_\_\_

PREPARED BY: \_\_\_\_\_



## KEY FEATURES

- Replacement for Traditional Fluorescent T8 Lamps
- Single or Double-ended line voltage wiring
- 5 Color Selectable (3000/3500/4000/5000/6500K)
- 4 ft Tubes include selectable wattage
- Frosted glass lens diffuses light evenly
- 50,000-Hour Lifespan, DLC Listed, UL Classified, and dimmable in certain applications. Contact RAB for more information

Single or Double-Ended Wiring 5 Selectable CCTs



## PERFORMANCE

Catalog Number	Length	Wattage Equivalency	Input Wattage	Lumens	Efficacy	Color Temperature	DLC ID
T8-7-24G-8CCT-BYP	2 ft	17W T8 fluorescent	7W	940 lm	134 lm/W	Field adjustable via dip switch 3000/3500/4000/5000/6500K	S-HGNVTM
T8-9-36G-8CCT-BYP	3 ft	25W T8 fluorescent	9W	1,250 lm	139 lm/W		S-7J11MD
T8FA-9.5-48G-8CCT-BYP	4 ft	32W T8 fluorescent	9.5/11/13W	1,650/1,900/2,200 lm	173/173/169 lm/W		S-8VQ9BF
T8FA-10.5-48G-8CCT-BYP		32W T8 fluorescent	10.5/12/14W	1,650/1,900/2,200 lm	157/157/155 lm/W		S-7J11MD

Catalog Number	Lamp Wattage	CCT	Efficacy	Lumens	Equivalency Wattage
T8-7-24G-8CCT-BYP	6W	3000K	125 lm/W	880 lm	2FT 17W T8 Fluorescent
		3500K	128 lm/W	900 lm	
		4000K	134 lm/W	940 lm	
		5000K	134 lm/W	940 lm	
		6500K	134 lm/W	940 lm	

# T8 Type B CCT Adjustable



Catalog Number	Lamp Wattage	CCT	Efficacy	Lumens	Equivalency Wattage
T8-9-36G-8CCT-BYP	9W	3000K	125 lm/W	1,130 lm	3FT 25W T8 Fluorescent
		3500K	128 lm/W	1,150 lm	
		4000K	139 lm/W	1,250 lm	
		5000K	139 lm/W	1,250 lm	
		6500K	139 lm/W	1,250 lm	

Catalog Number	Lamp Wattage	CCT	Efficacy	Lumens	Equivalency Wattage
T8FA-9.5-48G-8CCT-BYP	9.5W	3000K	167 lm/W	1,602 lm	4FT 32W T8 Fluorescent
		3500K	170 lm/W	1,628 lm	
		4000K	172 lm/W	1,650 lm	
		5000K	171 lm/W	1,643 lm	
		6500K	171 lm/W	1,646 lm	
	11W	3000K	167 lm/W	1,868 lm	
		3500K	170 lm/W	1,909 lm	
		4000K	172 lm/W	1,923 lm	
		5000K	171 lm/W	1,916 lm	
		6500K	170 lm/W	1,907 lm	
	13W	3000K	166 lm/W	2,191 lm	
		3500K	169 lm/W	2,237 lm	
		4000K	171 lm/W	2,254 lm	
		5000K	170 lm/W	2,248 lm	
6500K		170 lm/W	2,242 lm		

Catalog Number	Lamp Wattage	CCT	Efficacy	Lumens	Equivalency Wattage
T8FA-9.5-48G-8CCT-BYP	10.5W	3000K	148 lm/W	1,565 lm	4FT 32W T8 Fluorescent
		3500K	149 lm/W	1,582 lm	
		4000K	156 lm/W	1,654 lm	
		5000K	156 lm/W	1,658 lm	
		6500K	156 lm/W	1,651 lm	
	12W	3000K	148 lm/W	1,800 lm	
		3500K	152 lm/W	1,853 lm	
		4000K	154 lm/W	1,877 lm	
		5000K	154 lm/W	1,881 lm	
		6500K	153 lm/W	1,872 lm	
	14W	3000K	150 lm/W	2,204 lm	
		3500K	154 lm/W	2,262 lm	
		4000K	154 lm/W	2,270 lm	
		5000K	155 lm/W	2,275 lm	
6500K		154 lm/W	2,260 lm		

## TECHNICAL SPECIFICATIONS

### CONSTRUCTION

<b>Product Type</b> Linear T8 Tube	<b>Endcap Material</b> Polycarbonate
<b>Length (Nominal)</b> 2 ft, 3 ft, 4 ft	<b>Finish</b> White
<b>Bulb Shape</b> T8	<b>Base Type</b> G13
<b>Enclosure Material</b> Frosted glass lens eliminates pixelation	

### COMPLIANCE

<b>Safety Listing</b> UL Recognized UL Classified
<b>Environment</b> Suitable for use in dry and damp environments.
<b>Fixture Rating</b> Suitable for use in enclosed fixtures.
<b>DLC</b> This product is on the Design Lights Consortium (DLC) Qualified Products List and is eligible for rebates from DLC Member Utilities. Designed to meet DLC 5.1 requirements.
<b>California Title 20 Compliant</b> No
<b>California Title 24 JA8 Compliant</b> No
<b>California Energy Commission (CEC) Status</b> Lawful for Sale in California
<b>NSF Listed</b> Meets NSF/ANSI standards for use in Food Zone (non-contact), Splash, and Non-Food Zones. Tube guard required in open fixtures.
<b>RoHS</b> Mercury and UV free. RoHS-compliant components.
<b>FCC</b> Complies with Part 15 of the FCC Rules.

### ELECTRICAL

<b>THD</b> <20%
<b>Power Factor</b> >0.9
<b>Input Voltage</b> Line Voltage: 120-277V
<b>Operating Frequency</b> 50/60Hz
<b>Operating Temperature</b> -4°F to 113°F (-20°C to 45°C)
<b>Dimming</b> Lamp is dimmable when used with an appropriate dimming accessory (purchased separately). Contact RAB for more details to find out what is best for the intended application.
<b>Flicker</b> <50%

### INSTALLATION

<b>Installation Method</b> UL Type B, Ballast Bypass - can be wired using Single ended or Double ended
<b>Base Type</b> G13

### LED CHARACTERISTICS

<b>Beam Angle</b> 300°
<b>Color Temperature</b> Field-adjustable via dip switch 3000/3500/4000/5000/6500K
<b>Color Accuracy (CRI)</b> >80
<b>R9 Value</b> High color performance with R9 no less than 0
<b>Color Consistency</b> 5-step MacAdam Ellipse @ 3000/6500K binning to achieve consistent fixture-to-fixture color 7-step MacAdam Ellipse @ 3500/4000/5000K binning to achieve consistent fixture-to-fixture color
<b>Color Stability</b> LED color temperature is warranted to shift no more than 200K in color temperature over a 5-year period
<b>Color Uniformity</b> RAB's range of Correlated Color Temperature follows the guidelines of the American National Standard for Specifications for the Chromaticity of Solid State Lighting (SSL) Products, ANSI C78.377-2017.

### OTHER

<b>Warranty</b> RAB warrants that our LED products will be free from defects in materials and workmanship for a period of five (5) years from the date of delivery to the end user, including coverage of light output, color stability, driver performance and fixture finish.
--

RAB's warranty is subject to all terms and conditions found at [rablighting.com/warranty](http://rablighting.com/warranty)

<b>Note</b> All values are typical (tolerance +/- 10%)
---

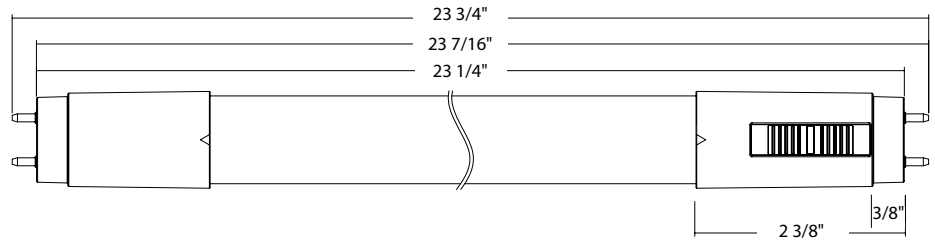
# T8 Type B CCT Adjustable



## DIMENSIONS

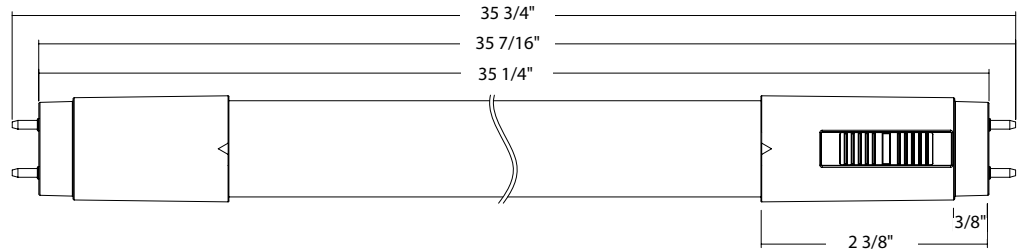
### T8-7-24G-8CCT-BYP

Weight: 0.26 lbs



### T8-9-36G-8CCT-BYP

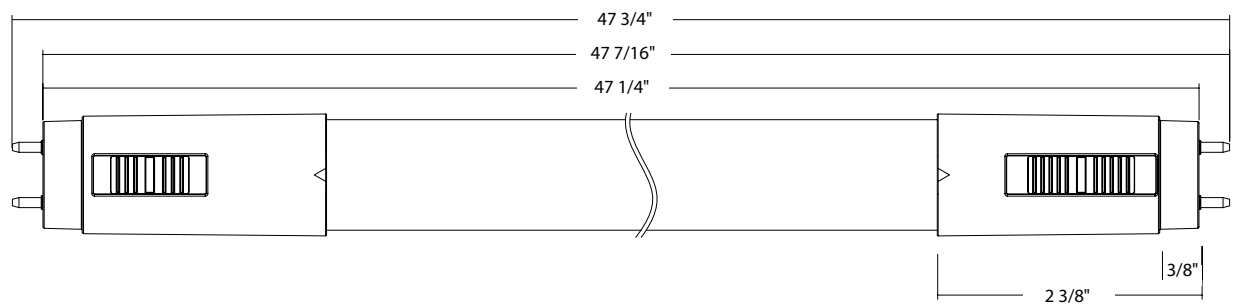
Weight: 0.35 lbs



### T8FA-9.5-48G-8CCT-BYP

### T8FA-10.5-48G-8CCT-BYP

Weight: 0.46 lbs



## ORDERING INFO

Catalog Number	Model Number	UPC	Case Pack
T8-7-24G-8CCT-BYP	T10292(T8-7-24G-8CCT-BYP)	192552037600	25
T8-9-36G-8CCT-BYP	T10293(T8-9-36G-8CCT-BYP)	192552037617	25
T8FA-9.5-48G-8CCT-BYP	T10294(T8FA-9.5-48G-8CCT-BYP)	192552037624	25
T8FA-10.5-48G-8CCT-BYP	T10295(T8FA-10.5-48G-8CCT-BYP)	192552037631	25

## ORDERING MATRIX

Family	Wattage	Length/Material	CRI/Color Temp	Voltage/Dimming	Wiring Method	Installation Type
T8	7	24G 2 ft Glass	8CCT 80CRI, 3000/3500/4000/5000/6500K Field-adjustable	Blank	Blank	BYP Ballast Bypass
	9					
T8 FA	9.5	48G 4 ft Glass	8CCT 80CRI, 3000/3500/4000/5000/6500K Field-adjustable	Blank	Blank	BYP Ballast Bypass
	10.5					