

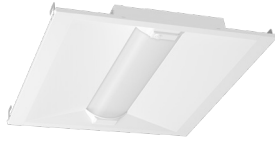
# SWISH34 Field-Adjustable Troffer



SWISH34-1X4



SWISH34-2X2



SWISH34-2X4



## SWISH34 Field-Adjustable Troffer



PROJECT: \_\_\_\_\_

DATE: \_\_\_\_\_

TYPE: \_\_\_\_\_

PREPARED BY: \_\_\_\_\_



- Available in 3 sizes with selectable wattages  
**SWISH34-1X4:** 30/25/18W - Factory default: 30W  
**SWISH34-2X2:** 30/25/18W - Factory default: 30W  
**SWISH34-2X4:** 40/35/30W - Factory default: 40W
- Field-Adjustable CCT: 3500/4000/5000K - Factory default: 4000K
- Voltage rating: **120-277V**
- Suitable for **damp** locations
- Suitable for **direct contact** with **insulation**
- Available with standard or Lightcloud Blue-enabled PIR/MVS sensors. Battery backup available
- **5-Year**, limited warranty

## TECHNICAL SPECIFICATIONS

### COMPLIANCE

#### UL Listed

Suitable for dry and damp locations

#### DLC Listed

This product is listed by Design Lights Consortium (DLC) as an ultra-efficient premium Products List that qualifies for the highest tier of rebates from DLC Member Utilities. Designed to meet DLC 5.1 requirements.

DLC ID: SWISH34-1X4 : S-6GLFQT  
SWISH34-2X2 : S-9H1B2F  
SWISH34-2X4 : S-518PBF

### LED CHARACTERISTICS

#### LEDs

Long-life, high-efficacy, discrete, surface-mount LEDs

#### Color Uniformity

RAB's range of Correlated Color Temperature follows the guidelines of the American National Standard for Specifications for the Chromaticity of Solid State Lighting (SSL) Products, ANSI C78.377-2017.

### FIELD ADJUSTABILITY

#### Field Adjustable:

**SWISH34-1X4:** 30/25/18W - Factory default: 30W  
**SWISH34-2X2:** 30/25/18W - Factory default: 30W  
**SWISH34-2X4:** 40/35/30W - Factory default: 40W

**Color temperature:** 3500/4000/5000K (factory default 4000K)

### CONSTRUCTION

#### Cold Weather Starting

Minimum starting temperature is -40°C (-40°F)

#### Maximum Ambient Temperature

Suitable for use in up to 40°C (104°F)

#### Cold Weather Starting with Battery Backup

Minimum starting temperature is 0°C (32°F)

#### Maximum Ambient Temperature with Battery Backup

Suitable for use in up to 50°C (122°F)

#### Mounting

Recessed into T-grid ceiling.

#### Lens

Polycarbonate

#### Housing / Finish

Sheet Metal

#### Green Technology

Mercury and UV free. RoHs-compliant components

#### Finish

Formulated for high durability and long lasting color

## TECHNICAL SPECIFICATIONS

### ELECTRICAL

#### Drivers:

Isolated/Class 2, Constant Current, 120-277V, 50/60Hz  
18W: 120V: 0.15A, 208V: 0.09A, 240V: 0.08A, 277V: 0.06A  
25W: 120V: 0.21A, 208V: 0.12A, 240V: 0.10A, 277V: 0.09A  
30W: 120V: 0.25A, 208V: 0.14A, 240V: 0.13A, 277V: 0.11A  
35W: 120V: 0.29A, 208V: 0.17A, 240V: 0.15A, 277V: 0.13A  
40W: 120V: 0.33A, 208V: 0.19A, 240V: 0.17A, 277V: 0.14A

#### Dimming Driver:

Driver includes dimming control wiring for 0-10V dimming systems.  
Requires separate 0-10V DC dimming circuit. Dims down to 10%

#### Surge Protection:

L-N 2.5KV/LN-GND 2.5KV

#### THD: (4000K)

SWISH34-1X4 @30W: 3.9% at 120V, 3.4% at 277V  
SWISH34-2X2 @30W: 3.7% at 120V, 4.4% at 277V  
SWISH34-2X4 @40W: 6.2% at 120V, 4.5% at 277V

#### Power Factor: (4000K)

SWISH34-1X4 @30W: 99.7% at 120V, 95.1% at 277V  
SWISH34-2X2 @30W: 99.7% at 120V, 96.2% at 277V  
SWISH34-2X4 @40W: 99.6% at 120V, 96.4% at 277V

#### Battery Backup:

Battery backup will operate the LED Lamp for 90 minutes if power falls.  
Wired for 120-277V.

#### Battery Backup Light Loss Factor:

##### SWISH34-1X4: (4000K)

30W: 0.27  
25W: 0.32  
18W: 0.44

##### SWISH34-2X2:

30W: 0.27  
25W: 0.32  
18W: 0.44

##### SWISH34-2X4:

40W: 0.20  
35W: 0.23  
30W: 0.27

Note: All values are typical (tolerance +/- 10%)

### WIRELESS NETWORK LIGHTING CONTROLS

Lightcloud-enabled products offer integrated network lighting control for a truly wireless solution that allows you to control RAB's various compatible devices. With RAB's patented Rapid Provisioning technology, devices can be quickly and easily commissioned for residential and commercial applications. Each device can then communicate with other devices in the mesh network. With two Lightcloud systems to choose from, it's easy to implement controls within any application.

DLC system - N1XMLOEATBA (Interior); NHCZ2BIA17L (Exterior)

Learn more at [www.lightcloud.com](http://www.lightcloud.com)

#### Lightcloud Blue (LCB)

- Utilizes Bluetooth Mesh, eliminating the need for a Gateway or Hub.
- Ideal for applications that need basic wireless control such as ON/OFF, dimming, color tuning, Schedules, and SmartShift.
- Download the Lightcloud Blue mobile app for iOS or Android devices.

### LIGHTCLOUD (CONTINUED)

#### Lightcloud Enterprise (LC)

- Utilizes a secure cellular and Zigbee mesh network that requires a Gateway or Hub (sold separately).
- Offers premium features like remote commissioning, demand response, BACnet integration, and more.
- Download the Lightcloud Enterprise mobile app for iOS or Android devices.

### OCCUPANCY SENSORS

**Sensor Type:** Passive Infrared (PIR) or Microwave (MVS)

**Input Voltage:** 12VDC

**Operating Frequency:** 50/60Hz

**Operating Temperature:** -22°F to 104°F (-30°C to 40°C)

**Max Mounting Height:** 9 ft. to 12 ft.

**Detection Range:** 20 ft. diameter at 9 ft. mounting height

**Daylight Sensing:** The sensor will determine to trigger the light(s) on or not based on the daylight threshold level set. Closed loop daylight harvesting with continuous dimming available with Lightcloud Blue. Specify settings using the Lightcloud Blue mobile app.

#### Default Settings:

Motion Sensitivity: High  
Brightness when triggered : 100%  
Hold time: 20 minutes  
Standby to dim: 20%  
Standby time: 1 minute  
When vacant: Off  
Daylight: Disabled

**Adjustable Settings:** Settings for Lightcloud Blue-enabled sensors can be adjusted using the mobile app. All other sensors will require MSR1 Remote (sold separately) to adjust the following sensor settings:  
Standby to dim: 10%/20%/30%/50%  
Standby time: 0s/10s/30s/1min/5min/10min/30min/60min/+∞  
Daylight Threshold: 2Lux/10Lux/30Lux/50Lux/80Lux/120Lux/Disable

### PERFORMANCE

#### Lifespan

100,000-hour LED lifespan based on IES LM-80 results and TM-21 calculations

#### OTHER

#### Warranty

The RAB 5-year, limited warranty covers light output, driver performance and paint finish. RAB's warranty is subject to all terms and conditions found at [rablighting.com/warranty](http://rablighting.com/warranty).

# SWISH34 Field-Adjustable Troffer

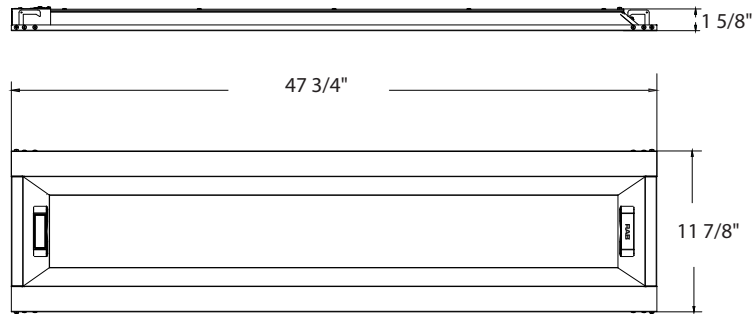


## DIMENSIONS

### SWISH34-1X4

Weight: 6.2 Lbs

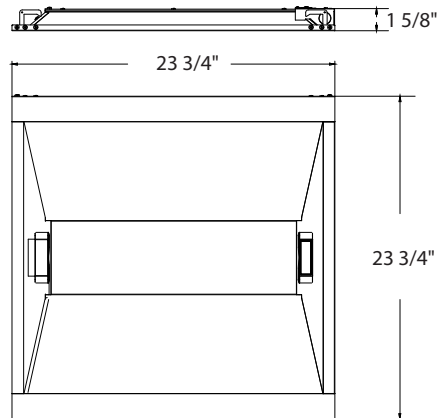
Weight: 7.1 Lbs (Models with battery backup)



### SWISH34-2X2

Weight: 5.2 Lbs

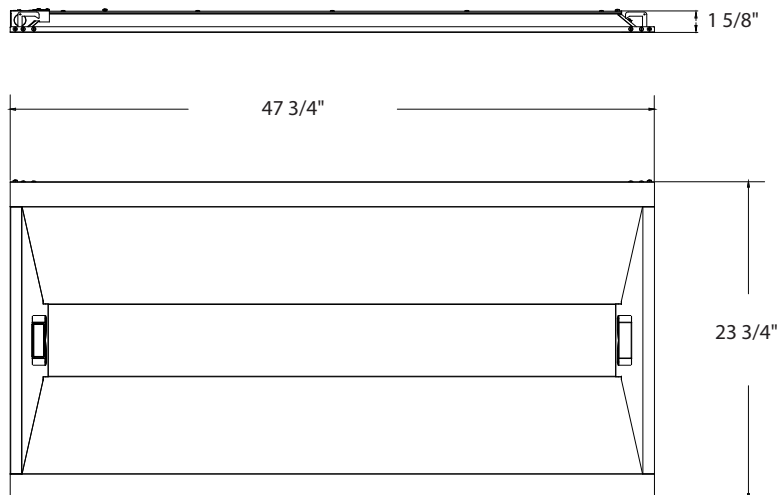
Weight: 6.1 Lbs (Models with battery backup)



### SWISH34-2X4

Weight: 8.6 Lbs

Weight: 9.5 Lbs (Models with battery backup)



# SWISH34 Field-Adjustable Troffer



## PERFORMANCE

SWISH34-1X4	3500K	4000K	5000K	3500K	4000K	5000K	3500K	4000K	5000K
WATTAGE	30W			25W			18W		
INPUT WATTS	29.00W	28.06W	29.17W	24.97W	24.16W	25.06W	17.91W	17.47W	18.00W
LUMENS	3,930	4,104	4,109	3,447	3,568	3,576	2,538	2,607	2,639
LM/W	135.5	146.3	140.9	138.1	147.7	142.7	141.7	149.2	146.6
CRI	86	87	85	86	87	85	86	87	85
VOLTAGE	120-277V			120-277V			120-277V		

SWISH34-2X2	3500K	4000K	5000K	3500K	4000K	5000K	3500K	4000K	5000K
WATTAGE	30W			25W			18W		
INPUT WATTS	29.02W	28.04W	28.99W	25.01W	24.25W	24.98W	18.42W	17.69W	18.31W
LUMENS	3,635	3,650	3,700	3,209	3,240	3,267	2,415	2,397	2,449
LM/W	125.3	130.2	127.6	128.3	133.6	130.8	131.1	135.5	133.8
CRI	85	86	86	85	86	86	85	86	86
VOLTAGE	120-277V			120-277V			120-277V		

SWISH34-2X4	3500K	4000K	5000K	3500K	4000K	5000K	3500K	4000K	5000K
WATTAGE	40W			35W			30W		
INPUT WATTS	39.96 W	39.20W	39.87W	34.88W	34.14W	34.79W	30.11 w	29.73W	30.04W
LUMENS	5,208	5,509	5,387	4,650	4,875	4,808	4,140	4,310	4,269
LM/W	130.3	140.5	135.1	133.3	142.8	138.2	137.5	145.0	142.1
CRI	85	85	84	85	85	84	85	85	84
VOLTAGE	120-277V			120-277V			120-277V		

## ACCESSORIES (to be ordered separately)

IMAGE	SKU#	UPC	DESCRIPTION
	MSR1	192552026055	MULTI-SENSOR REMOTE CONTROL IP20

# SWISH34 Field-Adjustable Troffer



## ORDERING MATRIX

### SWISH34

Family	Length/Wattages	Color Temperature	Finish	Driver	Options	
SWISH34	-					
1X4	1'X4' (30/25/18W)	Blank	3500/4000/5000K CCT Adjustable	Blank White	Blank 120-277V, 0-10V Dimming	Blank
2X2	2'X2' (30/25/18W)					No Option
2X4	2'X4' (40/35/30W)					Battery Backup
						Lightcloud® Controller
						Microwave Occupancy Sensor
						PIR Occupancy Sensor
						Lightcloud Blue enabled w/Occupancy Sensor
						Lightcloud® Blue enabled w/PIR Sensor
						Lightcloud® Controller w/ Battery Backup
						Microwave Occupancy Sensor w/ Battery Backup
						PIR Occupancy Sensor w/ Battery Backup
						Lightcloud Blue enabled MVS Occupancy Sensor w/ Battery Backup
						Lightcloud® Blue PIR Sensor w/ Battery Backup