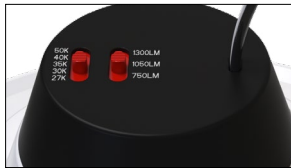


R34X Field-Adjustable Retrofit Downlight



5/6 in

4 in



Adjustable CCT and brightness.



FIELD ADJUSTABLE



90 CRI



50,000 HOURS



WET RATED



120V



TRIAC

PROJECT: _____

DATE: _____

TYPE: _____

PREPARED BY: _____



KEY FEATURES

- Available in 4" & 5/6" size with smooth or baffle trim
- Dual selectable: brightness and color temperature 2700/3000/3500/4000/5000K
- Compatible with most standard recessed housings
- Wet location listed for showers or covered outdoor locations
- Dimmable down to 10% on compatible dimmers

PERFORMANCE

Catalog Number	Size	Trim Style	Wattage Equivalency	Input Wattage	Lumens	Efficacy	Color Temperature	CRI	Energy Star ID
R34X-4	4"	Smooth	40W Incandescent	7/6/5W	500/600/700 lm	70 lm/W	Field adjustable via dip switch 2700/3000/3500/4000/5000K	>90 CRI	3892618
R34X-4B		Baffle				70 lm/W			
R34X-6	6"	Smooth	75W Incandescent	14/11/7.5W	750/1050/1300 lm	70 lm/W			
R34X-6B		Baffle				70 lm/W			

Catalog Number	Wattage	CCT	Efficacy	Lumens
R34X-4 R34X-4B	7/6/5W	2700K	100 lm/W	500/600/700 lm
		3000K	103 lm/W	515/620/720 lm
		3500K	107 lm/W	530/640/740 lm
		4000K	108 lm/W	540/650/750 lm
		5000K	105 lm/W	520/630/730 lm

Catalog Number	Wattage	CCT	Efficacy	Lumens
R34X-6 R34X-6B	14/11/7.5W	2700K	100 lm/W	750/1050/1300 lm
		3000K	103 lm/W	770/1080/1330 lm
		3500K	107 lm/W	800/1110/1360 lm
		4000K	108 lm/W	810/1120/1370 lm
		5000K	104 lm/W	780/1090/1340 lm

TECHNICAL SPECIFICATIONS

CONSTRUCTION

Product Type Retrofit Downlight	Enclosure Material Metal
Size 4", 6"	Finish White
Shape Round	Lens Finish Single optic and full-face lens for precise beam angle control applications
Trim Style Smooth & Baffle	

COMPLIANCE

Listing
UL Classified, UL Recognized

Environment
Suitable for use indoors and outdoors in dry, damp, or wet environments.

Energy Star Approved
This product is ENERGY STAR® Certified.

California Title 20 Compliant
Yes

California Title 24 JA8 Compliant
Can be used to conform with the requirements of California Title 24 Part 6.

California Energy Commission (CEC) Status
Lawful for Sale in California

NEC Compliant
Suitable for use in closets. Compliant with NEC Sec. 410.16 (A)(1) and 410.16 (C1).

IESNA LM-79 & LM80 Testing
RAB LED luminaires and LED components have been tested by an independent laboratory in accordance with IESNA LM-79 and LM-80.

RoHS
Mercury and UV free. RoHS-compliant components.

FCC
Complies with Part 15 of the FCC Rules.

INSTALLATION

Mounting
Installs on existing standard recessed housings

Adapter
E26 base socket adapter included

ELECTRICAL

Power Factor
>0.9

Input Voltage
Line Voltage: 120V

Driver
Constant Current

Operating Frequency
60Hz

Operating Temperature
-4°F to 104°F (-20°C to 40°C)

Dimming
Yes, dimmable down to 0% on compatible TRIAC/ELV dimming systems. See Dimmer Compatibility List.

Flicker
<30%

THD
≤20%

LED CHARACTERISTICS

Beam Angle
85°

Color Temperature
Field-adjustable via dip switch 2700/3000/3500/4000/5000K

Color Accuracy (CRI)
>90

R9 Value
High color performance with R9 greater than or equal to 50

Color Consistency
4-step MacAdam Ellipse binning to achieve consistent fixture-to-fixture color

Color Stability
LED color temperature is warranted to shift no more than 200K in color temperature over a 5-year period

Color Uniformity
RAB's range of Correlated Color Temperature follows the guidelines of the American National Standard for Specifications for the Chromaticity of Solid State Lighting (SSL) Products, ANSI C78.377-2017.

OTHER

Warranty
RAB warrants that our LED products will be free from defects in materials and workmanship for a period of five (5) years from the date of delivery to the end user, including coverage of light output, color stability, driver performance and fixture finish.

RAB's warranty is subject to all terms and conditions found at rablighting.com/warranty

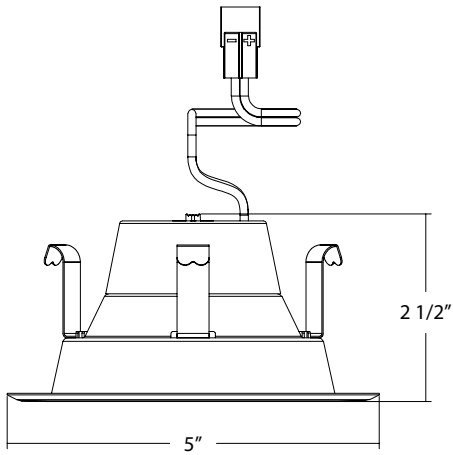
R34X Field-Adjustable Retrofit Downlight



DIMENSIONS

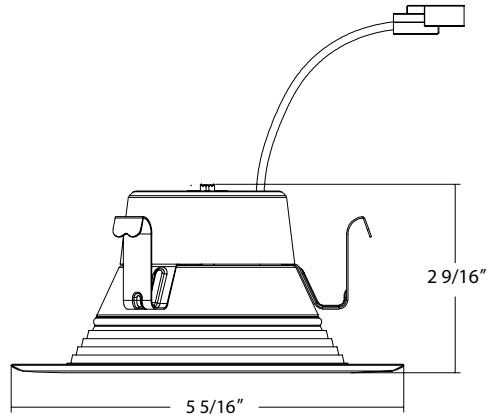
R34X-4

Weight: 0.37 lbs



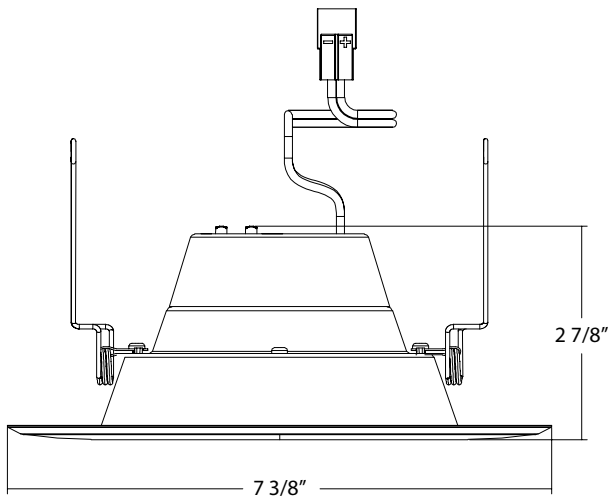
R34X-4B

Weight: 0.39 lbs



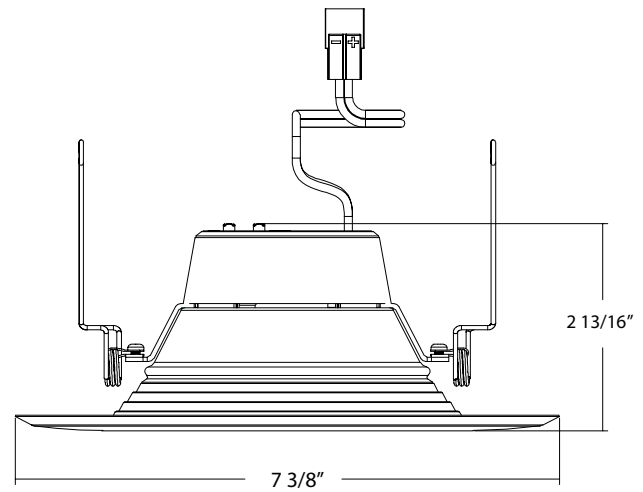
R34X-6

Weight: 0.46 lbs



R34X-6B

Weight: 0.46 lbs



R34X Field-Adjustable Retrofit Downlight



OPTIONAL ACCESSORIES

Smooth Trims



Brushed Nickel



Black



Bronze

Catalog Number	UPC	Description
DLTRIM/R4RS-BN	192552000895	4" Round smooth brushed nickel color trim
DLTRIM/R4RS-BRZ	192552022248	4" Round smooth bronze color trim
DLTRIM/R4RS-B	192552000918	4" Round smooth black color trim
DLTRIM/R6RS-BN	192552000925	6" Round smooth brushed nickel color trim
DLTRIM/R6RS-BRZ	192552022255	6" Round smooth bronze color trim
DLTRIM/R6RS-B	192552000949	6" Round smooth black color trim

Baffle Trims



Brushed Nickel



Black



Bronze

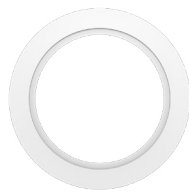
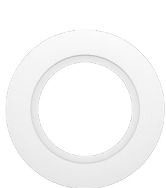
Catalog Number	UPC	Description
DLTRIM/R4RB-BN-L	192552028219	4" Round baffle brushed nickel color trim
DLTRIM/R4RB-BRZ-L	192552028226	4" Round baffle bronze color trim
DLTRIM/R4RB-B-L	192552028202	4" Round baffle black color trim
DLTRIM/R6RB-BN	192552000987	6" Round baffle brushed nickel color trim
DLTRIM/R6RB-BRZ	192552022279	6" Round baffle bronze color trim
DLTRIM/R6RB-B	192552001007	6" Round baffle black color trim

Retrofit Band



Catalog Number	UPC	Description
RFLED-RETROBAND	192552013710	Retrofit band

Goof Rings



Catalog Number	UPC	Description
RFLED-GOOF-4R-6R-W	192552013727	4"-6" goof ring
RFLED-GOOF-6R-8R-W	192552013734	6"-8" goof ring

Emergency Backup Driver



Catalog Number	UPC	Description
DRI-25-EMGR-DC	019813519180	Emergency backup driver

R34X Field-Adjustable Retrofit Downlight



ORDERING INFO

Catalog Number	Model Number	UPC	Case Pack
R34X-4	DLR0161(R34X-4)	192552039680	4
R34X-6	DLR0162(R34X-4B)	192552039697	4
R34X-6	DLR0163(R34X-6)	192552039703	4
R34X-6B	DLR0164(R34X-6B)	192552039710	4

ORDERING MATRIX

Family	Shape	Size(Wattage)	CRI/Color Temp	Driver	Finish	Trim
R34X	R	4 6	Blank	Blank	White	Blank
	Round	4 in, 7/6/5W 6 in, 14/11/7.5W	90CRI, 2700/3000/3500/4000/5000K	120V		Smooth Baffle

R34X Field-Adjustable Retrofit Downlight



Dimmer Compatibility List

R34X-4
 R34X-4B
 R34X-6
 R34X-6B

Visit www.rablighting.com for periodic updates to this list or contact us at 888-722-1000 for questions or comments.

Dimmers		Lamp Quantities						Dimming Level
Dimmer Brand	Dimmer Model	1	2	3	4	5	6	
LUTRON	MACL-153M	✓	✓	✓	✓	✓	✓	10~100%
LUTRON	SCL-153P	✓	✓	✓	✓	✓	✓	10~100%
LEVITON	Cat.NO.6674	✓	✓	✓	✓	✓	✓	10~100%
LUTRON	DVCL-153P	✓	✓	✓	✓	✓	✓	10~100%
LEVITON	NO.6672	✓	✓	✓	✓	✓	✓	10~100%
LEGRAND	RHCL453PTC	✓	✓	✓	✓	✓	✓	10~100%
LEGRAND	HCL453PTCCCV6	✓	✓	✓	✓	✓	✓	10~100%
LUTRON	CTCL-153PDH-WH	✓	✓	✓	✓	✓	✓	10~100%
LUTRON	TGCL-153PH-WH	✓	✓	✓	✓	✓	✓	10~100%
LEVITON	R12-06672-1LW	✓	✓	✓	✓	✓	✓	10~100%
LEVITON	R50-IPL06-10M	✓	✓	✓	✓	✓	✓	10~100%
LUTRON	DVWCL-153PH-WH	✓	✓	✓	✓	✓	✓	10~100%
RAB	XDIM	✓	✓	✓	✓	✓	✓	10~100%