

PLAYER ONE SPORTS LIGHT



P1RGB



P1S / P1M



P1L / P1XL



PLAYER ONE sports light with RGB tunable option



*480W MODEL ONLY

PROJECT:

DATE:

TYPE:

PREPARED BY:



** No DLC for RGB Models

KEY FEATURES

- Sports lights available in following models:
P1SRGB: 480W
P1S: 500W
P1M: 600W
P1L: 850W
P1XL: 1200W
- CCT: 5700K except 480W. 480W models tunable RGB.
- Standard yoke mount. Slipfitter mount, square beam mount, and rail mounting kits sold separately.
- Available NEMA beam spread of 2HX2V, 3HX3V & 4HX4V
- Suitable for wet locations
- 120-277V & 200-480V dimming driver. P1XL only available in 200-480V.
- Lightcloud Controller optional
- 10-year limited warranty

PERFORMANCE

MODEL#	P1RGB				P1RGB/480			
	RGB	RED	GREEN	BLUE	RGB	RED	GREEN	BLUE
WATTAGE	480W				480W			
INPUT WATTS	486.2W	299.4W	103.7W	84.2W	462.8W	218.8W	105.1W	88W
LUMENS	14,364	6,620	7,003	2,069	14,411	8,346	6,946	2,119
EFFICACY	29.5	22.1	67.5	24.6	31.1	38.1	66.1	24.1
CRI	-20	24	-16	-37	-24	23	-17	-38
VOLTAGE RATINGS	120-277V				200-480V			

MODEL#	P1S			P1S W/GLARE CONTROL SHIELD		
	2HX2V	3HX3V	4HX4V	2HX2V	3HX3V	4HX4V
COLOR TEMP	5700K			5700K		
NEMA BEAM SPREAD	2HX2V	3HX3V	4HX4V	2HX2V	3HX3V	4HX4V
WATTAGE	500W			500W		
INPUT WATTS	506.6W	500W	500.1W	506.3	499.7	499.9
LUMENS	72,476	67,221	66,951	58,753	47,688	51,262
EFFICACY	143.1	134.4	133.9	116.0	95.4	102.5
CRI	74	76	76	74	76	76
VOLTAGE RATINGS	120-277V			120-277V		

PLAYER ONE SPORTS LIGHT



PERFORMANCE

MODEL#	P1S/480			P1S/480 W/GLARE CONTROL SHIELD		
COLOR TEMP	5700K			5700K		
NEMA BEAM SPREAD	2HX2V	3HX3V	4HX4V	2HX2V	3HX3V	4HX4V
WATTAGE	500W			500W		
INPUT WATTS	506.1W	505.3W	505.3W	506	505	505.3
LUMENS	73,229	68,678	68,236	59,669	48,925	52,331
EFFICACY	144.7	135.9	135	117.9	96.9	103.6
CRI	74	76	76	75	76	76
VOLTAGE RATINGS	200-480V			200-480V		

MODEL#	P1M			P1M W/GLARE CONTROL SHIELD		
COLOR TEMP	5700K			5700K		
NEMA BEAM SPREAD	2HX2V	3HX3V	4HX4V	2HX2V	3HX3V	4HX4V
WATTAGE	600W			600W		
INPUT WATTS	605.7W	604.3W	604.3W	605.5	604.1	604.0
LUMENS	87,867	86,158	85,826	70,685	59,938	65,010
EFFICACY	145.1	142.6	142	116.7	99.2	107.6
CRI	75	76	76	76	77	77
VOLTAGE RATINGS	120-277V			120-277V		

MODEL#	P1M/480			P1M/480 W/GLARE CONTROL SHIELD		
COLOR TEMP	5700K			5700K		
NEMA BEAM SPREAD	2HX2V	3HX3V	4HX4V	2HX2V	3HX3V	4HX4V
WATTAGE	600W			600W		
INPUT WATTS	586.1W	590.4W	590.5W	586.0	590.2	590.2
LUMENS	86,073	84,882	84,769	69,147	59,007	63,889
EFFICACY	146.9	143.8	143.6	118.0	100.0	108.2
CRI	75	76	76	76	77	77
VOLTAGE RATINGS	200-480V			200-480V		

MODEL#	P1L			P1L W/GLARE CONTROL SHIELD		
COLOR TEMP	5700K			5700K		
NEMA BEAM SPREAD	2HX2V	3HX3V	4HX4V	2HX2V	3HX3V	4HX4V
WATTAGE	850W			850W		
INPUT WATTS	843.5W	846.8W	847W	843.4W	846.7W	846.8W
LUMENS	121,128	118,987	113,849	111,364	103,698	79,958
EFFICACY	143.6	140.5	134.4	132	122.5	94.4
CRI	74	76	76	74	76	76
VOLTAGE RATINGS	120-277V			120-277V		

MODEL#	P1L/480			P1L/480 W/GLARE CONTROL SHIELD		
COLOR TEMP	5700K			5700K		
NEMA BEAM SPREAD	2HX2V	3HX3V	4HX4V	2HX2V	3HX3V	4HX4V
WATTAGE	850W			850W		
INPUT WATTS	856.1W	857.4W	857.5W	856.2W	857.4W	857.2W
LUMENS	123,911	121,993	116,570	113,705	105,710	81,840
EFFICACY	144.7	142.3	135.9	132.8	123.3	95.5
CRI	74	76	76	74	76	76
VOLTAGE RATINGS	200-480V			200-480V		

PERFORMANCE

MODEL#	P1XL/480			P1XL/480 W/GLARE CONTROL SHIELD		
COLOR TEMP	5700K			5700K		
NEMA BEAM SPREAD	2HX2V	3HX3V	4HX4V	2HX2V	3HX3V	4HX4V
WATTAGE	1200W			1200W		
INPUT WATTS	1195.3W	1195W	1195.2W	1195.2W	1195.1W	1195.1W
LUMENS	154,568	149,879	146,487	141,434	116,386	105,629
EFFICACY	129.3	125.4	122.6	118.3	97.4	88.4
CRI	76	76	76	76	76	76
VOLTAGE RATINGS	200-480V			200-480V		

TECHNICAL SPECIFICATIONS

CONSTRUCTION

Cold Weather Starting

Minimum starting temperature is -40°C (-40°F)

Maximum Ambient Temperature

Suitable for use in up to 50°C (122°F)

Housing

Precision die-cast aluminum

Mounting

Standard Yoke Mount. Drivers can be mounted on the fixture bracket on top of the cross arms or remotely on the poles using driver mounting bracket accessories. Slipfitter mount, square beam mount and rail mounting kits sold separately.

Tilt Increment

Continuous tilting with 5 degree increments

Lens

Polycarbonate

Gasket

Silicone

Green Technology

Mercury and UV free. RoHs-compliant components.

Finish

Formulated for high durability and long lasting color

NEMA

NEMA beam spread of 2HX2V, 3HX3V & 4HX4V

IP Rating

Ingress protection rating of IP65 for dust and water

EPA

MODEL	0°	15°	25°	45°	60°	75°	90°
P1S	1.29	1.29	1.43	1.71	1.87	2.0	2.10
P1M	1.29	1.29	1.43	1.71	1.87	2.0	2.10
P1L	1.67	1.75	1.89	2.25	2.48	2.66	2.77
P1XL	1.67	1.75	1.89	2.25	2.48	2.66	2.77
P1RGB	1.29	1.29	1.43	1.70	1.87	2.0	2.07

LED CHARACTERISTIC

LEDS

Long-life, high-efficacy, surface-mount LEDs

Color Uniformity

RAB's range of Correlated Color Temperature follows the guidelines of the American National Standards for Specifications for the Chromaticity of Solid State Lighting (SLL) Products, ANSI C78.377-2017.

COMPLIANCE

UL Listed

Suitable for wet locations

DLC Listed

This product is listed by Design Lights Consortium (DLC) as an ultra-efficient premium product that qualifies for the highest tier of rebates from DLC Member Utilities. Designed to meet DLC 5.1 requirements.

Model#	Product ID	Model#	Product ID
P1S	S-9DCGGH	P1S/480	S-F7B6ZQ
P1S 2HX2V	S-PL8YHP	P1S/480 2HX2V	S-2FTHKL
P1S 3HX3V	S-T8W5F5	P1S/480 3HX3V	S-OHPWPH
P1M	S-51FM2M	P1M/480	S-ZWXHP5
P1M 2HX2V	S-J1SR7K	P1M/480 2HX2V	S-KWBDB1
P1M 3HX3V	S-K2CRW3	P1M/480 3HX3V	S-H3LFFS
P1L	S-PCL0MK	P1L/480	S-Y6191J
P1L 2HX2V	S-PXGSD9	P1L/480 2HX2V	S-TFMDCP
P1L 3HX3V	S-65507D	P1L/480 3HX3V	S-YGB35J
		P1XL/480	S-X4VKFB
		P1XL/480 2HX2V	S-ZW75C9
		P1XL/480 3HX3V	S-SF1WMX

ELECTRICAL

Drivers:

Constant Current, Class 1, 120-277V, 50/60 Hz

P1S: 120V: 4.31A 208V: 2.48A, 240V: 2.15A, 277V: 1.86A

P1M: 120V: 5.20A 208V: 3.01A, 240V: 2.61A, 277V: 2.29A

P1L: 120V: 6.96A 208V: 4.00A, 240V: 3.45A, 277V: 3.01A

P1RGB: 120V: 4.28A 208V: 2.46A, 240V: 2.12A, 277V: 1.84A

Drivers:

Constant Current, Class 1, 200-480V, 50/60 Hz

P1S/480: 208V: 2.54A 240V: 2.19A, 277V: 1.89A, 480V: 1.09A

P1M/480: 208V: 3.01A 240V: 2.61A, 277V: 2.26A, 480V: 1.31A

P1L/480: 208V: 4.18A 240V: 3.63A, 277V: 3.15A, 480V: 1.86A

P1XL/480: 208V: 6.15A 240V: 5.33A, 277V: 4.61A, 480V: 2.65A

P1RGB: 208V: 2.45A 240V: 2.12A, 277V: 1.84A, 480V: 1.05A

Dimming Driver:

Driver includes wiring for 0-10V dimming systems. Dim as low as 10%.

Surge Protection: 120-277V: 10kV and 200-480V: 20kV

TECHNICAL SPECIFICATIONS

ELECTRICAL

THD/Power Factor:

120-277V MODELS	THD	PF	THD	PF
	120V		277V	
P1RGB @RGB	4.8%	99.6%	4.8%	96.8%
P1RGB @RED	7.1%	98.8%	16.3%	68.1%
P1RGB @GREEN	7.0%	98.2%	20.9%	60.8%
P1RGB @BLUE	6.0%	99.7%	5.7%	93.0%
P1S (2HX2V)	9.1%	99.6%	6.6%	96.5%
P1S (3HX3V)	9.2%	99.6%	6.6%	96.6%
P1S (4HX4V)	9.4%	99.6%	6.7%	96.6%
P1M (2HX2V)	9.6%	99.6%	12.8%	97.3%
P1M (3HX3V)	9.4%	99.6%	12.5%	97.4%
P1M (4HX4V)	9.7%	99.6%	13.1%	97.2%
P1L (2HX2V)	3.6%	99.9%	4.5%	97.7%
P1L (3HX3V)	3.5%	99.9%	4.5%	97.8%
P1L (4HX4V)	3.1%	99.9%	4.7%	97.7%

480V MODELS	THD	PF	THD	PF	THD	PF	THD	PF
	200V		277V		347V		480V	
P1RGB/480 @RGB	6.7%	99.7%	6.0%	99.4%	6.7%	98.9%	10.3%	96.6%
P1RGB/480 @RED	13.3%	97.6%	18.9%	93.9%	21.1%	89.3%	26.4%	89.9%
P1RGB/480 @GREEN	16.0%	96.3%	21.5%	92.5%	24.4%	86.8%	30.5%	72.5%
P1RGB/480 @BLUE	8.3%	99.3%	11.3%	98.0%	13.3%	96.1%	18.0%	67.6%
P1S/480 (2HX2V)	3.8%	99.9%	3.9%	99.9%	4.0%	99.4%	5.3%	95.3%
P1S/480 (3HX3V)	3.6%	99.9%	4.0%	99.9%	4.0%	99.4%	4.5%	95.6%
P1S/480 (4HX4V)	3.5%	99.9%	4.1%	99.9%	3.8%	99.4%	4.4%	95.6%
P1M/480 (2HX2V)	3.8%	99.9%	4.2%	99.9%	4.8%	99.6%	4.9%	97.1%
P1M/480 (3HX3V)	4.0%	99.8%	4.1%	99.9%	5.1%	99.6%	4.5%	97.2%
P1M/480 (4HX4V)	4.0%	99.8%	4.2%	99.9%	5.1%	99.6%	4.9%	97.3%
P1L/480 (2HX2V)	16.6%	98.6%	19.3%	97.7%	20.1%	96.9%	20.5%	94.9%
P1L/480 (3HX3V)	16.8%	98.6%	18.7%	97.8%	19.2%	97.1%	19.7%	95.1%
P1L/480 (4HX4V)	16.7%	98.5%	18.5%	97.8%	19.0%	97.1%	19.7%	95.1%
P1XL/480 (2HX2V)	15.4%	98.8%	17.0%	98.2%	17.8%	97.6%	19.2%	96.3%
P1XL/480 (3HX3V)	15.5%	98.8%	17.2%	98.3%	18.0%	97.7%	19.3%	96.5%
P1XL/480 (4HX4V)	15.4%	98.8%	17.1%	98.3%	17.9%	97.7%	19.4%	96.3%

TECHNICAL SPECIFICATIONS

ELECTRICAL

THD/Power Factor:

120-277V MODELS W/GLARE CONTROL SHIELD	THD	PF	THD	PF
	120V		277V	
P1S (2HX2V)	9.0%	99.6%	6.6%	96.4%
P1S (3HX3V)	9.2%	99.6%	6.5%	96.7%
P1S (4HX4V)	9.4%	99.6%	6.6%	96.7%
P1M (2HX2V)	9.7%	99.6%	13.0%	97.2%
P1M (3HX3V)	9.3%	99.6%	12.4%	97.5%
P1M (4HX4V)	9.6%	99.6%	13.0%	97.3%
P1L (2HX2V)	3.5%	99.9%	4.7%	97.7%
P1L (3HX3V)	3.2%	99.9%	4.7%	97.8%
P1L (4HX4V)	3.2%	99.9%	4.8%	97.7%

480V MODELS W/GLARE CONTROL SHIELD	THD	PF	THD	PF	THD	PF	THD	PF
	200V		277V		347V		480V	
P1S/480 (2HX2V)	4.0%	99.9%	4.0%	99.9%	4.0%	99.3%	5.3%	95.2%
P1S/480 (3HX3V)	3.3%	99.9%	3.9%	99.9%	4.0%	99.3%	4.4%	95.5%
P1S/480 (4HX4V)	3.4%	99.9%	4.0%	99.9%	4.0%	99.5%	4.6%	95.7%
P1M/480 (2HX2V)	3.9%	99.9%	3.9%	99.9%	4.3%	99.5%	4.9%	97.0%
P1M/480 (3HX3V)	4.0%	99.8%	4.0%	99.9%	5.1%	99.4%	4.5%	97.3%
P1M/480 (4HX4V)	4.0%	99.8%	4.1%	99.9%	5.0%	99.7%	5.0%	97.4%
P1L/480 (2HX2V)	17.3%	98.6%	19.3%	97.7%	20.5%	96.9%	20.5%	94.9%
P1L/480 (3HX3V)	16.9%	98.6%	18.8%	97.8%	19.6%	97.1%	19.5%	95.1%
P1L/480 (4HX4V)	16.6%	98.6%	18.3%	97.8%	19.9%	97.1%	19.7%	95.1%
P1XL/480 (2HX2V)	15.3%	98.8%	17.2%	98.2%	17.9%	97.6%	19.4%	96.3%
P1XL/480 (3HX3V)	14.9%	98.8%	16.9%	98.3%	18.5%	97.7%	19.3%	96.4%
P1XL/480 (4HX4V)	15.3%	98.8%	17.0%	98.3%	18.7%	97.7%	19.3%	96.3%

RGB MODELS

RGB

The RGB option integrates with existing DMX control systems. DMX control system not included with PLAYER ONE models. RGB model will not produce white light.

WIRELESS NETWORK LIGHTING CONTROL

Lightcloud

Fixture, Zone, and plug-load control from one powerful device. Capable of switching, 0-10V dimming, power monitoring. Can also be used to extend the range of the Lightcloud mesh network. Attach to fixture, junction box, or electrical panel.

Learn more at www.lightcloud.com

OTHER

Warranty

The RAB 10-year, limited warranty covers light output, driver performance and paint finish. RAB's warranty is subject to all terms and conditions found at rablighting.com/warranty

Lifespan

100,000-hour LED lifespan based on IES LM-80 results and TM-21 calculations

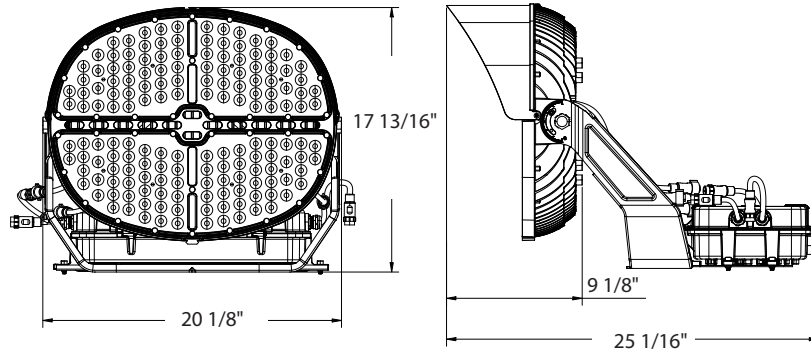
PLAYER ONE SPORTS LIGHT



DIMENSIONS

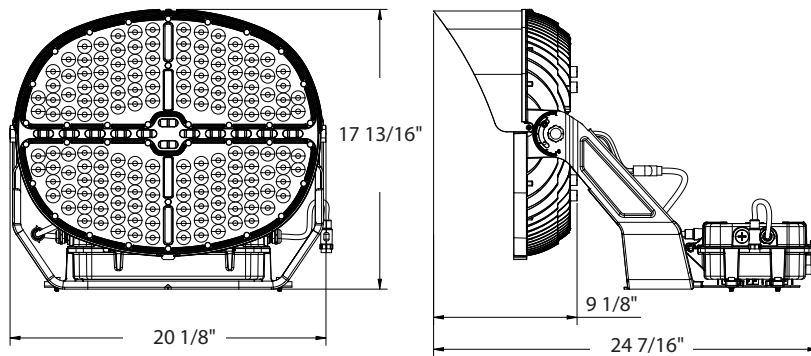
P1RGB

Weight: 40.08 lbs



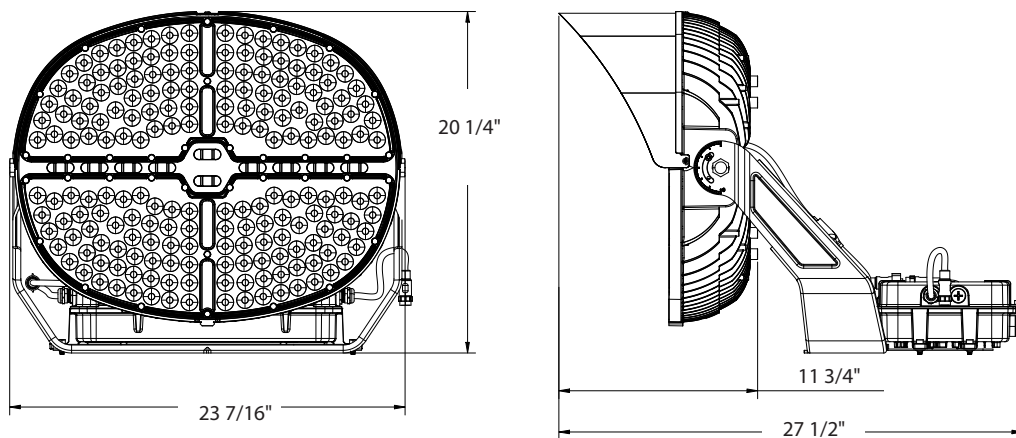
P1S / P1M

Weight: 36.55 lbs



P1L / P1XL

Weight: 56.67 lbs



PLAYER ONE SPORTS LIGHT



ACCESSORIES

IMAGE	CATALOG#	UPC	DESCRIPTION	WEIGHT
	P1-MR	192552043991	PLAYER ONE POWER BOX MOUNTING RAIL	15.025 lbs
	P1-MR-RGB	192552044004	PLAYER ONE POWER BOX MOUNTING RAIL RGB	16.268 lbs
	P1-SB	192552043984	PLAYER ONE SQUARE BEAM MOUNTING KIT BLACK	12.302 lbs
	P1-SF	192552043977	PLAYER ONE SLIPFITTER ADAPTOR BLACK	4.079 lbs
	P1-13C	192552044011	PLAYER ONE EXTENSION CORD 164FT 18AWG 600V BLACK	13.596 lbs
	P1GCS-S-M	192552044035	PLAYER ONE UP TO 600W GLARE CONTROL SHIELD BLACK	0.49 lb
	P1GCS-L-XL	192552044028	PLAYER ONE 850W AND UP GLARE CONTROL SHIELD BLACK	1.695 lbs
	P1-LAS	192552044042	PLAYER ONE LASER AIMING SIGHT 3.7V 532NM GREEN LIGHT	0.143 lb

ORDERING MATRIX

P1-PLAYER ONE

Family	Size/ Wattage	Color Temperature	Mounting	Optics	Finish	Driver	Option
P1	<input type="text"/>	<input type="text"/>	<input type="text"/>	<input type="text"/>	<input type="text"/>	<input type="text"/>	<input type="text"/>
	S Small / 500W M Medium / 600W L Large / 850W XL Extra Large / 1200W*	BLANK 5700K	BLANK Yoke Mount	BLANK 4HX4V B33 3HX3V B22 2HX2V	BLANK Black	BLANK 120-277V /480 0-10V Dimming 200-480V 0-10V Dimming	BLANK No Option /LC Lightcloud Controller**

Family	Wattage	Color Temperature	Mounting	Optics	Finish	Driver	Option
P1	<input type="text"/>	<input type="text"/>	<input type="text"/>	<input type="text"/>	<input type="text"/>	<input type="text"/>	<input type="text"/>
	BLANK 480W	RGB RGB	BLANK Yoke Mount	BLANK 4HX4V	BLANK Black	BLANK 120-277V DMX /480 200-480V DMX	BLANK No Option

*XL only available in 200-480V models
**LC option available for S,M,L 120-277V