

# ORB Canless Downlight



Eliminate visible edges with 180° of trimless light.



PROJECT: \_\_\_\_\_

DATE: \_\_\_\_\_

TYPE: \_\_\_\_\_

PREPARED BY: \_\_\_\_\_



## KEY FEATURES

- 180° Fully luminous canless downlight that provides smooth and evenly distributed light
- 5 Selectable color temperatures (2700/3000/3500/4000/5000K)
- Remote driver allows for flexible installation; no housing required. Air Tight and IC Rated
- 120V 60Hz driver with 4 1/2" knockouts, dimmable down to 10% on TRIAC/ELV dimmers
- 90CRI, UL Listed suitable for wet locations and 5-Year, No-Compromise Warranty

## PERFORMANCE

Catalog Number	Size	Trim Style	Wattage Equivalency	Input Wattage	Lumens	Efficacy	Dim Type	Color Temperature	Energy Star ID
ORB4	4"	Smooth	40W Incandescent	9W	750 lm	83 lm/W	TRIAC/ELV	Field adjustable via dip switch 2700/3000/3500/4000/5000K	n/a
ORB6	6"		75W Halogen	13W	1,100 lm	85 lm/W			

Catalog Number	Wattage	CCT	Lumens	Efficacy	Equivalency Wattage
ORB4	9W	2700K	745 lm	83 lm/W	45W CFL
		3000K	780 lm	88 lm/W	
		3500K	817 lm	93 lm/W	
		4000K	828 lm	94 lm/W	
		5000K	817 lm	91 lm/W	

Catalog Number	Wattage	CCT	Lumens	Efficacy	Equivalency Wattage
ORB6	13W	2700K	997 lm	80 lm/W	75W Incandescent
		3000K	1,033 lm	83 lm/W	
		3500K	1,088 lm	88 lm/W	
		4000K	1,114 lm	90 lm/W	
		5000K	1,108 lm	88 lm/W	

## TECHNICAL SPECIFICATIONS

### CONSTRUCTION

#### Product Type

ORB Borderless Canless Downlight

#### Size

4" and 6"

#### Shape

Round

#### Fixture Construction:

Compact fixture housing constructed with a die-cast aluminum back plate for optimal thermal dissipation.

#### Finish

White

#### Lens Finish

Polycarbonate light diffuser distributes light evenly and smoothly for general lighting applications

### INSTALLATION

#### Mounting

- Steel spring clips for easy installation.
- 4" or 6" cut-out template is provided to ensure a correct-sized hole is cut into ceiling for proper installation of the trim.
- Can be installed from 1 1/4" ceiling thickness
- Can be removed from below the ceiling for service or replacement
- Additional mounting plates also available if required. Plenum-rated cable and connector to connect from downlight to remote driver box on page 2

#### Remote Driver/Junction Box

Die formed metal driver / junction box with captive hinged junction box cover. Listed for Maximum of (4) 12AWG through branch circuit conductor suitable for 90° C permitted in box. Easy to wire in 2in/2out (plus ground) applications. (4) conduit pry-outs. (3) quick snap-in connectors for quick and reliable line voltage connections. Integral mounting facilitates direct mounting to building structure or mounting frame.

### ELECTRICAL

#### Dimmable

Yes, dimmable down to 10% on compatible TRIAC/ELV dimming systems.

See Dimmer Compatibility List.

#### Driver

Constant Current, Class 2, 60 Hz, 120V, 120V: 0.08 A

#### Input Voltage

120V

#### Operating Frequency

60Hz

#### Operating Temperature

-4°F to 104°F (-20°C to 40°C)

#### THD

≤20%

#### Power Factor

≥0.9

#### Flicker

≤30%

### COMPLIANCE

#### Listing

UL Listed

#### Environment

Suitable for use indoors and outdoors in dry, damp, or wet environments.

#### IC Rated

Suitable for direct contact with insulation.

Type IC inherently protected, suitable for direct contact to air permeable insulation and cULus listed for damp locations. Not for use in direct contact with spray foam insulation, consult NEMA LSD57-2013.

#### Air Tight

Housing certified Air Tight as per ASTM E283

#### California Title 24 JA8 Compliant

Can be used to conform with the requirements of California Title 24 Part 6.

#### California Energy Commission (CEC) Status

Lawful for Sales in California

#### NEC Compliant

Suitable for use in closets. Compliant with NEC Sec. 410.16 (A)(1) and 410.16 (C1).

#### IESNA LM-79 & LM80 Testing

RAB LED luminaires and LED components have been tested by an independent laboratory in accordance with IESNA LM-79 and LM-80.

#### RoHS

Mercury and UV free. RoHS-compliant components.

#### FCC

Complies with Part 15 of the FCC Rules

### LED CHARACTERISTICS

#### Beam Angle

110°

#### Color Temperature)

Field adjustable via dip switch 2700/3000/3500/4000/5000K

#### Color Accuracy (CRI)

90 CRI

#### R9 Value

High color performance with R9 greater than 50

#### Color Consistency

<4- (2700&5000K and <7- (3000/3500/4000K)-step MacAdam Ellipse binning to achieve consistent fixture-to-fixture color

#### Color Stability

LED color temperature is warrantied to shift no more than 200K in color temperature over a 5-year period.

#### Color Uniformity

RAB's range of Correlated Color Temperature follows the guidelines of the American National Standard for Specifications for the Chromaticity of Solid State Lighting (SSL) Products, ANSI C78.377-2017.

### OTHER

#### Warranty

RAB warrants that our LED products will be free from defects in materials and workmanship for a period of five (5) years from the date of delivery to the end user, including coverage of light output, color stability, driver performance and fixture finish. RAB's warranty is subject to all terms and conditions found at [rablighting.com/warranty](http://rablighting.com/warranty).

#### Note

All values are typical (tolerance +/- 10%)

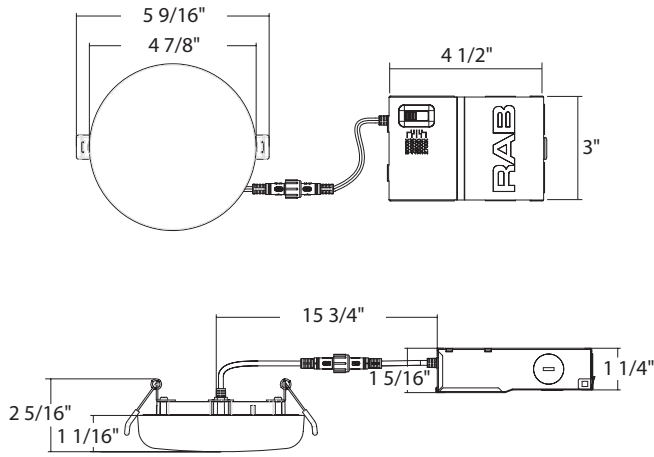
# ORB Canless Downlight



## DIMENSIONS

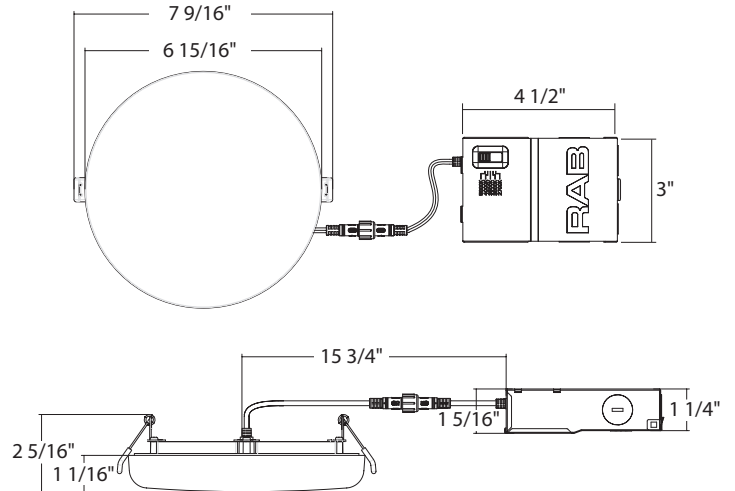
### ORB4

Weight: 0.84 lbs



### ORB6

Weight: 1.11 lbs



## ACCESSORIES

### Mounting Plates



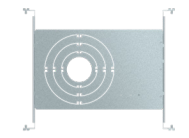
DLPLATE/WFR4



DLPLATE/WFR6



DLPLATE/WFR3456



DLPLATE/WFR3468/NB



DLPLATE/WFR4/NB/CL



DLPLATE/WFR6/NB/CL

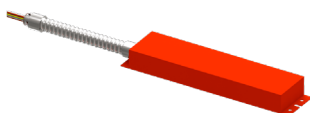
Catalog Number	UPC	Description
DLPLATE/WFR4	192552039819	Wafer mounting plate w/o nailer
DLPLATE/WFR6	192552039826	Wafer mounting plate w/o nailer
DLPLATE/WFR3456	0192552025584	DL eco mounting plate grey for wafer 3"/4"/5"/6"
DLPLATE/WFR3468/NB	0192552000673	Mounting Plate with nailer bar for wafer 3"/4"/6"/8"
DLPLATE/WFR4/NB/CL	192552036993	Mounting plate for wafer 4" w/drywall collar & extensions bar
DLPLATE/WFR6/NB/CL	192552037006	Mounting plate for wafer 6" w/drywall collar & extensions bar

### Extension Cables



Catalog Number	UPC	Description
EXTCBL-CCT-6	019813908533	6' Extension cable for wafer CCT
EXTCBL-CCT-12	019813908540	12' Extension cable for wafer CCT
EXTCBL-CCT-20	019813908557	20' Extension cable for wafer CCT

### Emergency Driver



Catalog Number	UPC	Description
DRI-21-EMGR-DC-DC10	192552028264	Emergency backup driver

# ORB Canless Downlight



## ORDERING INFO

Catalog Number	Certification Model Number	UPC	Case Pack
ORB4	DLS0182(ORB4)	192552039796	4
ORB6	DLS0183(ORB6)	192552039802	4

## ORDERING MATRIX

Family	Size/Wattage	Shape	CRI/Color Temp	Voltage/Dimming	Finish
ORB					
	4 6	4", 9W 6", 13W	Blank Round Blank	90CRI, Field-Adjustable 2700/3000/3500/4000/5000K	Blank 120V; TRIAC/ELV Blank White

## DIMMER COMPATIBILITY LIST

Visit [www.rablighting.com](http://www.rablighting.com) for periodic updates to this list or contact us at 888-722-1000 for questions or comments.

Dimmers		Lamp Quantities						Dimming Level
Dimmer Brand	Dimmer Model	1	2	3	4	5	6	
LUTRON	SCL-153P	✓	✓	✓	✓	✓	✓	10-100%
LUTRON	DVCL-153P	✓	✓	✓	✓	✓	✓	10-100%
LEGRAND	DCL453PTCCCV6	✓	✓	✓	✓	✓	✓	10-100%
LUTRON	TGCL-153PH-WH	✓	✓	✓	✓	✓	✓	10-100%
LEVITON	R50-IPL06-10M	✓	✓	✓	✓	✓	✓	10-100%
LUTRON	DVWCL-153PH-WH	✓	✓	✓	✓	✓	✓	10-100%
RAB	XDIM	✓	✓	✓	✓	✓	✓	10-100%