

# Lightcloud Blue-Ready High Bay



Field Adjustable with 5-pin sensor port  
UL Type B

PROJECT: \_\_\_\_\_

DATE: \_\_\_\_\_

TYPE: \_\_\_\_\_

PREPARED BY: \_\_\_\_\_



- ### KEY FEATURES
- **Adjustable wattage** and CCT allows for in-field customization
  - Make it **tunable white** with the Lightcloud Blue 5-Pin Plug-In Controller
  - Integral driver enables lamp to be **wired directly** to line voltage without need for an external driver or ballast
  - Rated for use in enclosed fixtures in **dry** or **damp** locations
  - **AUX port** for integrating individual, lamp-level controls
  - **5-Year, No-Compromise Warranty**



## PERFORMANCE

Catalog Number	Equivalency	Input Wattage	Lumens (Nominal)	Efficacy	Input Voltage	Color Temperature	CRI	L70 Lifespan
HID-115S-V-EX39-8TW-BYP/LCBR	200W/250W/400W Metal Halide	60W/80W/115W	8,100/10,800/15,525 Lm	135Lm/W	100-277V	Field adjustable via dip switch 3000K/4000K/5000K Tunable white 3000K-5000K with 5-Pin Plug-In Controller/Sensor	80+	50,000 hours

## TECHNICAL SPECIFICATIONS

### LIGHTCLOUD BLUE FEATURES\*

**Tunable White**  
Add the 5-Pin Plug-In Controller/Sensor to adjust the color temperature from 3000K to 5000K via the Lightcloud Blue Remote or mobile app.

**Direct Connect**  
Use the Lightcloud Blue mobile app to connect to your lamps in minutes via Bluetooth Mesh; no Gateway or Hub required.

**Mobile App Control**  
Use the Lightcloud Blue mobile app to configure features for On/Off Control, Dim Level, Color Temperature, Schedules, Scenes, SmartShift and more.

**SmartShift Circadian Lighting**  
Automatically tunes the color and intensity of lights throughout the day, mimicking the sun's natural pattern.

**Scalable**  
Devices within 60 feet of each other can communicate within the Bluetooth Mesh network to manage a maximum of up to 3,000 devices per account.

**Motion Sensing**  
Add the 5-Pin Controller with an integrated passive infrared (PIR) or microwave (MVS) sensor for dual technology motion detection and open loop daylight sensing. Program the sensor settings using the Lightcloud Blue mobile app.

\*Requires a 5-pin plug-in Lightcloud Blue Controller for use with the control system.

## TECHNICAL SPECIFICATIONS (CONT.)

### LIGHTCLOUD BLUE 5-PIN CONTROLLER

**Gateway Required**

No

**Communication Protocol**

Bluetooth Mesh

**SmartShift**

Add the Lightcloud Blue 5-Pin Plug-in Controller to take advantage of SmartShift circadian lighting.

SmartShift is the most advanced - yet easiest to use - circadian lighting system, which syncs white color tuning with the local sunrise and sunset.

**Range**

Up to 60 feet between standard building materials

Up to 200 feet clear line of sight

**Spacing Criteria**

Lightcloud Blue devices should be placed within the specified range to communicate within the Bluetooth Mesh network.

**Factory Reset**

Method 1: Delete from App

Open the app and access the device settings for the paired device. Be sure that the device is online and select 'Delete'.

Method 2: Rapid Reset Tool

The Rapid Reset process must be done by a professional electrician qualified by RAB. Reach out to your RAB sales manager to request a Rapid Reset Tool.

The tool simply needs to be placed directly on the small Lightcloud Blue logo on the device for 2s or until the lamp flashes 3x, then resets to 100% brightness at the default CCT.

**Sensor Max Mounting Height**

Lightcloud Blue devices should be placed within the specified range to communicate within the Bluetooth Mesh network.

**Sensor Detection Range**

32 ft. diameter mounted at 39 ft.

### CONSTRUCTION

**Product Type**

HID Replacement

**Bulb Shape**

High bay w/ 5-pin sensor port

**Enclosure Material**

Polycarbonate

**Endcap Material**

Metal

**Finish**

Clear

**Lens Finish**

Clear

**Base Type**

EX39

**Beam Angle**

180°

### INSTALLATION

**Installation Method**

UL Type B, Ballast Bypass

**Installation Orientation**

Vertical

### COMPLIANCE

**Safety Listing**

UL Listed, UL Classified

**Environment**

Suitable for use in dry and damp environments

**Fixture Rating**

Suitable for use in enclosed fixtures

**IP Rating**

IP64

**DLC Listed**

This product is on the Design Lights Consortium (DLC) Qualified Products List and is eligible for rebates from DLC Member Utilities. Designed to meet DLC 5.1 requirements.

DLC Product Code: S-5BWG00

[Learn more about Lightcloud Blue.](#)

**T20 Compliant**

Not compliant

**California Title 24 JA8 Compliant**

Not compliant

**California Energy Commission (CEC) Status**

Lawful for Sale in California

**FCC**

Complies with Part 15 of the FCC Rules.

**RoHS**

Mercury and UV free. RoHS-compliant components.

### ELECTRICAL

**Dimmable**

Yes via the Lightcloud Blue mobile app and devices

This lamp will not operate properly when connected to a standard (incandescent) dimmer or dimming control.

**Power Factor**

≥0.9

**THD**

≤20

**Input Voltage**

100-277V

**Operating Frequency**

50-60Hz

**Surge Protection**

4kV

**Operating Temperature**

-22°F to 140°F (-30°C to 60°C)

**Flicker**

<30%

## TECHNICAL SPECIFICATIONS (CONT.)

### LED CHARACTERISTICS

#### Color Temperature

Field adjustable via dip switch 3000K/4000K/5000K  
Tunable white 3000K-5000K with Lightcloud Blue 5-Pin Plug-In Controllers

#### Color Accuracy (CRI)

≥80 CRI

#### R9 Value

High color performance with R9 no less than 0

#### Color Consistency

<6-step MacAdam Ellipse binning to achieve consistent fixture-to-fixture color

#### Color Stability

LED color temperature is warranted to shift no more than 200K in color temperature over a 5-year period

#### Color Uniformity

RAB's range of Correlated Color Temperature follows the guidelines of the American National Standard for Specifications for the Chromaticity of Solid State Lighting (SSL) Products, ANSI C78.377-2017.

### OTHER

#### Compatible Products

Add the Lightcloud Blue 5-Pin Plug-in Controller with optional sensor to connect to the Lightcloud Blue Bluetooth Mesh Wireless Network Lighting Control System. [Learn more about Lightcloud Blue.](#)

#### Warranty

RAB warrants that our LED products will be free from defects in materials and workmanship for a period of five (5) years from the date of delivery to the end user, including coverage of light output, color stability, driver performance and fixture finish.

RAB's warranty is subject to all terms and conditions found at [rablighting.com/warranty](http://rablighting.com/warranty).

#### Buy American Act Compliance

RAB values USA manufacturing! Upon request, RAB may be able to manufacture this product to be compliant with the Buy American Act (BAA). Please contact customer service to request a quote for the product to be made BAA compliant.

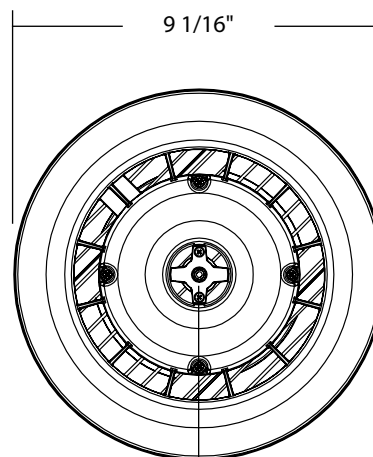
#### Note

All values are typical (tolerance +/- 10%)

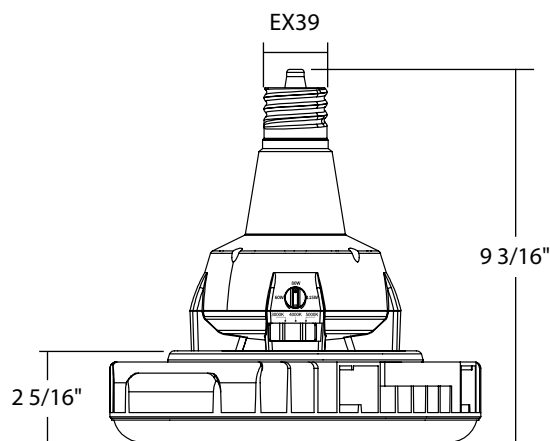
## DIMENSIONS

High bay 60W/80W/115W

Weight: 4.93 lbs



5-Pin Sensor Port



## ACCESSORIES (SOLD SEPARATELY)



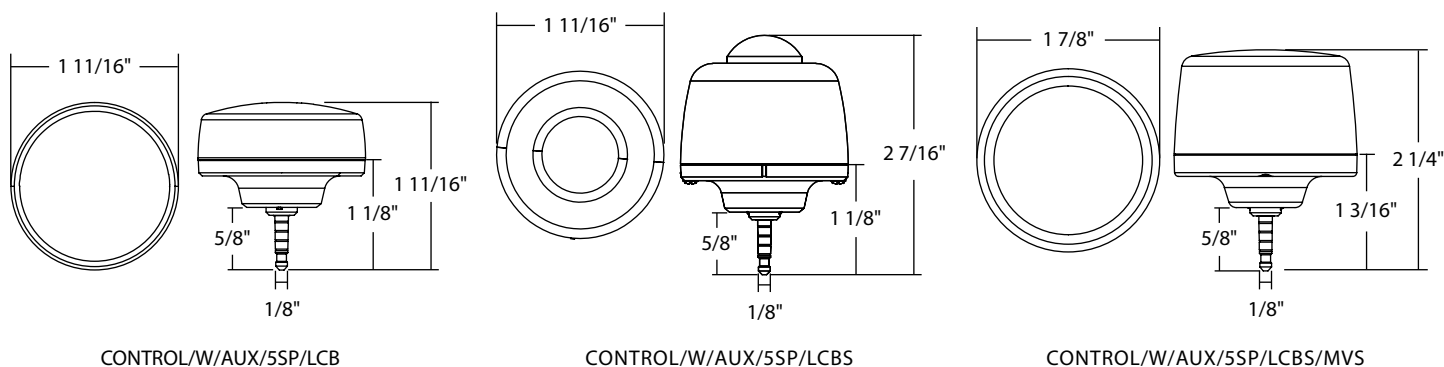
Surge protector



Step down transformer

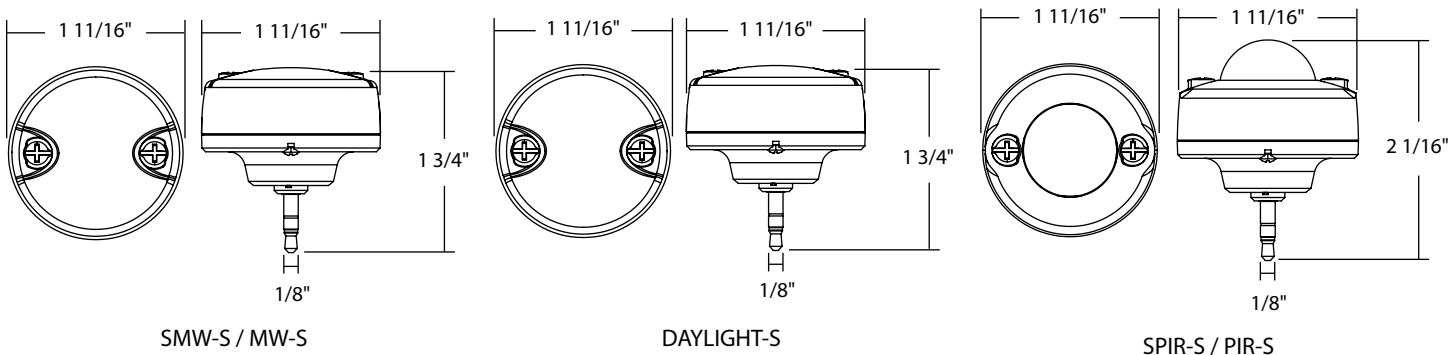
Catalog Number	UPC	Description
SP10KV	019813749273	HID Replacements 10KV surge protector
XFMR200-480-277	019813833071	HID Replacements XFMR200 transformer 200W 480V

## Lightcloud Blue 5-pin controllers/sensors



Catalog Number	UPC	Description
CONTROL/W/AUX/5SP/LCB	192552025591	Lightcloud Blue 5-Pin plug-in controller
CONTROL/W/AUX/5SP/LCBS	192552025607	Lightcloud Blue 5-Pin plug-in controller + passive infrared sensor + photocell sensor
CONTROL/W/AUX/5SP/LCBS/MVS	192552025614	Lightcloud Blue 5-Pin plug-in controller + microwave sensor + photocell sensor

## 3-Pin sensors



Catalog Number	UPC	Description
SMW-S	019813834818	Microwave sensor without daylight photocell built in.
MW-S	019813833064	Microwave sensor with daylight photocell built in.
DAYLIGHT-S	019813834832	Daylight sensor
SPIR-S	019813834825	Passive infrared sensor without daylight photocell built in.
PIR-S	019813833057	Passive infrared sensor with daylight photocell built in.

# Lightcloud Blue-Ready High Bay



## ORDERING INFO

Catalog Number	Model Number	UPC	Case Pack
HID-115S-V-EX39-8TW-BYP/LCBR	HID-115S-V-EX39-8TW-BYP/LCBR	192552025690	4

## ORDERING MATRIX

Family	Wattage	Orientation	Base Type	CRI/Color Temp	Installation Type	Sensor Port
<b>HID</b>	<b>115S</b>	<b>V</b>	<b>EX39</b>	<b>8TW</b>	<b>BYP</b>	<b>LCBR</b>
	115S 60W/80W/115W Wattage Selectable	V Vertical	EX39 Exclusionary Base	8TW 80CRI, Tunable White* 3000K-5000K	BYP Ballast Bypass	LCBR Lightcloud Blue Ready, 5-Pin Sensor Port

\*requires Lightcloud Blue 5-Pin Plug-in Controller/Sensor