

# H22 Field-Adjustable High Bay with Adjustable Beam Angle **RAB**



H22



H22XL

PROJECT: \_\_\_\_\_

DATE: \_\_\_\_\_

TYPE: \_\_\_\_\_

PREPARED BY: \_\_\_\_\_



## KEY FEATURES

- Power and CCT tunable fixture in two sizes:  
H22: 150/120/100W  
H22XL: 240/200/150W
- CCT: 3000/4000/5000K adjustable
- Built in optics adjustable with a switch: 105°/90°/60°
- Input voltage: 120-277V and 480V
- Suitable for wet locations
- Battery backup sold separately: EMHB30 and EMHB40/480
- Compatible with all existing sensors for H17 (PIR40, MVS50, PIR40/LCB, MVS50/LCB)
- 5-years, limited warranty

## Field-Adjustable High Bay with Adjustable Beam Angle



## PERFORMANCE

H22 @ 100W	3000K	4000K	5000K	3000K	4000K	5000K	3000K	4000K	5000K
Beam Angle	60°			90°			105°		
Input Watts	100.5W	100.7W	103.5W	99.3W	99.3W	101.6W	101.3W	100.8W	103.7W
Lumens	15,240	15,898	15,876	15,640	16,249	16,369	15,546	16,149	16,090
Lm/W	151.6	157.9	153.4	157.5	163.6	161.1	153.5	160.2	155.2
CRI	82	84	83	82	84	83	82	84	83
Voltage Ratings	120-277V								

H22 @ 120W	3000K	4000K	5000K	3000K	4000K	5000K	3000K	4000K	5000K
Beam Angle	60°			90°			105°		
Input Watts	118.2W	118.4W	121.7W	117.6W	117.6W	120.4W	118.6W	118.0W	121.4W
Lumens	17,521	18,278	18,252	18,231	18,961	19,081	17,774	18,463	18,395
Lm/W	148.2	154.4	150.0	155.0	161.2	158.5	149.9	156.5	151.5
CRI	82	84	83	82	84	83	82	84	83
Voltage Ratings	120-277V								

H22 @ 150W	3000K	4000K	5000K	3000K	4000K	5000K	3000K	4000K	5000K
Beam Angle	60°			90°			105°		
Input Watts	145.6W	145.9W	149.9W	143.8W	143.7W	147.2W	146.4W	145.7W	149.9W
Lumens	20,768	21,884	21,635	21,467	22,580	22,468	21,106	22,146	21,844
Lm/W	142.6	150.0	144.3	149.3	157.1	152.6	144.2	152.0	145.7
CRI	82	84	83	82	84	83	82	84	83
Voltage Ratings	120-277V								

# H22 Field-Adjustable High Bay with Adjustable Beam Angle **RAB**

## PERFORMANCE (CONTINUED)

H22 @ 100W	3000K	4000K	5000K	3000K	4000K	5000K	3000K	4000K	5000K
Beam Angle	60°			90°			105°		
Input Watts	101.8W	101.7W	104.1W	100.7W	100.8W	102.7W	101.6W	101.7W	104.1W
Lumens	14,874	15,416	15,269	15,448	16,153	16,118	15,238	15,974	15,806
Lm/W	146.1	151.6	146.7	153.4	160.2	156.9	150.0	157.1	151.8
CRI	82	84	84	82	85	84	82	84	83
Voltage Ratings	480V								

H22 @ 120W	3000K	4000K	5000K	3000K	4000K	5000K	3000K	4000K	5000K
Beam Angle	60°			90°			105°		
Input Watts	120.8W	120.6W	123.5W	119.3W	119.5W	121.7W	120.6W	120.7W	123.5W
Lumens	17,439	18,074	17,902	18,193	19,023	18,982	17,835	18,697	18,499
Lm/W	144.4	149.9	145.0	152.5	159.2	156.0	147.9	154.9	149.8
CRI	82	84	84	82	85	84	82	84	83
Voltage Ratings	480V								

H22 @ 150W	3000K	4000K	5000K	3000K	4000K	5000K	3000K	4000K	5000K
Beam Angle	60°			90°			105°		
Input Watts	148.5W	148.3W	151.8W	146.1W	146.3W	149.0W	148.2W	148.3W	151.8W
Lumens	20,960	21,943	21,516	21,863	23,091	22,811	21,341	22,598	22,136
Lm/W	141.1	148.0	141.7	149.6	157.8	153.1	144.0	152.4	145.8
CRI	82	84	84	82	85	84	82	84	83
Voltage Ratings	480V								

H22XL @ 150W	3000K	4000K	5000K	3000K	4000K	5000K	3000K	4000K	5000K
Beam Angle	60°			90°			105°		
Input Watts	148.9W	145.7W	149.2W	147.1W	144.6W	147.7W	148.8W	145.4W	149.2W
Lumens	22,272	23,553	23,452	22,761	23,989	24,118	22,392	23,782	23,734
Lm/W	149.6	161.7	157.2	154.7	165.9	163.3	150.5	163.6	159.1
CRI	83	85	84	83	85	84	83	85	83
Voltage Ratings	120-277V								

H22XL @ 200W	3000K	4000K	5000K	3000K	4000K	5000K	3000K	4000K	5000K
Beam Angle	60°			90°			105°		
Input Watts	197.3W	193.1W	197.6W	195.1W	191.8W	195.9W	198.1W	193.6W	198.7W
Lumens	28,035	29,647	29,520	28,946	30,508	30,671	28,399	30,162	30,101
Lm/W	142.1	153.5	149.4	148.4	159.1	156.6	143.4	155.8	151.5
CRI	83	85	84	83	85	84	82	85	83
Voltage Ratings	120-277V								

H22XL @ 240W	3000K	4000K	5000K	3000K	4000K	5000K	3000K	4000K	5000K
Beam Angle	60°			90°			105°		
Input Watts	237.0W	231.9W	237.4W	233.3W	229.3W	234.3W	237.8W	232.4W	238.5W
Lumens	32,622	35,202	34,697	33,559	36,092	35,918	32,740	35,482	35,053
Lm/W	137.6	151.8	146.2	143.8	157.4	153.3	137.7	152.7	147.0
CRI	82	85	84	82	85	84	82	85	83
Voltage Ratings	120-277V								

# H22 Field-Adjustable High Bay with Adjustable Beam Angle **RAB**

## PERFORMANCE (CONTINUED)

H22XL @ 150W	3000K	4000K	5000K	3000K	4000K	5000K	3000K	4000K	5000K
Beam Angle	60°			90°			105°		
Input Watts	147.1W	143.0W	147.0W	144.6W	142.1W	145.4W	146.6W	143.2W	147.2W
Lumens	21,920	23,130	22,943	22,894	24,005	24,132	22,617	23,952	23,810
Lm/W	149.0	161.7	156.1	158.3	168.9	166.0	154.3	167.3	161.8
CRI	83	85	84	83	85	84	82	85	84
Voltage Ratings	480V								

H22XL @ 200W	3000K	4000K	5000K	3000K	4000K	5000K	3000K	4000K	5000K
Beam Angle	60°			90°			105°		
Input Watts	194.8W	189.4W	194.6W	190.6W	187.3W	191.6W	193.9W	189.4W	194.7W
Lumens	27,986	29,531	29,292	29,348	30,772	30,935	28,872	30,577	30,394
Lm/W	143.7	155.9	150.5	154.0	164.3	161.5	148.9	161.4	156.1
CRI	82	85	84	82	85	84	82	85	84
Voltage Ratings	480V								

H22XL @ 240W	3000K	4000K	5000K	3000K	4000K	5000K	3000K	4000K	5000K
Beam Angle	60°			90°			105°		
Input Watts	233.0W	226.5W	232.8W	226.6W	222.7W	227.8W	231.4W	226.0W	232.3W
Lumens	32,437	34,926	34,294	34,078	36,461	36,284	33,317	36,004	35,428
Lm/W	139.2	154.2	147.3	150.4	163.7	159.3	144.0	159.3	152.5
CRI	82	85	84	82	85	84	82	85	84
Voltage Ratings	480V								

## TECHNICAL SPECIFICATIONS

### LED CHARACTERISTICS

#### LEDs

Long-life, high-efficacy, discrete, surface-mount LEDs

#### Color Consistency

7-step MacAdam Ellipse binning to achieve consistent fixture-to-fixture color

#### Color Uniformity

RAB's range of Correlated Color Temperature follows the guidelines of the American National Standard for Specifications for the Chromaticity of Solid State Lighting (SSL) Products, ANSI C78.377-2017.

### COMPLIANCE

#### UL Listed

Suitable for wet locations

#### NSF

NSF certified by public health and safety

#### IK Ratings

IK10 rated for protection against impact

#### DLC Listed

This product is listed by Design Lights Consortium (DLC) as an ultra-efficient premium product that qualifies for the highest tier of rebates from DLC Member Utilities. Designed to meet DLC 5.1 requirements.

Model#	DLC ID	Model#	DLC ID
H22	S-13J0R4	H22/480	S-RCD0FC
H22XL	S-YBV36Y	H22XL/480	S-0W2CS8

### CONSTRUCTION

#### Cold Weather Starting

The minimum starting temperature is -40°C (-40°F)

#### Cold Weather Starting for Battery Backup

The minimum starting temperature is 0°C (32°F)

#### Maximum Ambient Temperature

H22, H22/480 and H22XL/480 : Suitable for use in up to and 50°C (122°F)

H22XL : Suitable for use in up to and 45°C (104°F)

#### Maximum Ambient Temperature for Battery Backup

Suitable for use in up to 50°C (122°F)

#### Mounting

Comes standard with a hanging hook and a 6-foot cord. Heavy-duty 3/4"-14 NPT hook and 3/4"-14 pendant mount capable (pendant by others).

#### Housing

Precision die-cast aluminum

#### Lens

Polycarbonate

#### Green Technology

Mercury and UV free. RoHS-compliant components.

#### Finish

Formulated for high durability and long lasting color

#### IP Rating:

Ingress protection rating of IP69K for high-pressure and high-temperature cleaning

# H22 Field-Adjustable High Bay with Adjustable Beam Angle **RAB**

## TECHNICAL SPECIFICATIONS (CONTINUED)

### ELECTRICAL

#### Drivers:

Constant Current, Class 1, 120-277V, 50/60 Hz,

#### H22:

150W: 120V: 1.17A, 208V: 0.68A, 240V: 0.61A, 277V: 0.39A

120W: 120V: 0.78A, 208V: 0.56A, 240V: 0.50A, 277V: 0.45A

100W: 120V: 0.82A, 208V: 0.48A, 240V: 0.43A, 277V: 0.39A

#### H22XL:

240W: 120V: 1.99A, 208V: 1.12A, 240V: 0.97A, 277V: 0.86A

200W: 120V: 1.66A, 208V: 0.96A, 240V: 0.84A, 277V: 0.74A

150W: 120V: 1.29A, 208V: 0.75A, 240V: 0.65A, 277V: 0.59A

Constant Current, Class 1, 480V, 50/60 Hz,

#### H22:

150W: 480V: 0.32A

120W: 480V: 0.27A

100W: 480V: 0.23A

#### H22XL:

240W: 480V: 0.51A

200W: 480V: 0.44A

150W: 480V: 0.34A

#### Dimming Driver:

Driver includes wiring for 0-10V dimming systems. Dim as low as 10%.

#### Battery Backup:

Battery backup will operate the LED Lamp for 90 minutes if power falls.

Wired for 120-277V.

#### Emergency Light Loss Factor: (120-277V)

#### H22:

150W: 23.3%

120W: 27.6%

100W: 31.3%

#### H22XL

240W: 15.7%

200W: 17.7%

150W: 21.8%

#### Emergency Light Loss Factor: (480V)

#### H22:

150W: 28.1%

120W: 33.5%

100W: 39.0%

#### H22XL

240W: 18.2%

200W: 21.0%

150W: 26.8%

#### THD & Power Factor:

MODEL#	THD	PF	THD	PF	THD	PF	
H22 @150W/4000K	120V		277V		480V		
	105°	4.1%	99.7%	6.4%	93.1%	14.0%	95.6%
	90°	4.0%	99.7%	6.5%	92.8%	14.1%	95.4%
	60°	4.2%	99.7%	6.3%	93.0%	13.7%	95.6%
H22XL @240W/4000K	120V		277V		480V		
	105°	3.8%	99.9%	6.4%	96.2%	16.7%	95.6%
	90°	3.9%	99.9%	7.2%	96.1%	16.8%	95.4%
	60°	3.8%	99.9%	6.7%	96.2%	16.5%	95.6%

#### Surge Protection:

4kV + 6kV

### FIELD ADJUSTABLE

#### Field Adjustable:

H22: 150/120/100W - Factory default 150W

H22X: 240/200/150W - Factory default 240W

Color Temperature: 3000/4000/5000K - Factory default 4000K

Beam Angle: 105°/90°/60° - Factory default 90°

### PERFORMANCE

#### Lifespan

100,000-Hour LED lifespan based on IES LM-80 results and TM-21 calculations

### OTHER

#### Warranty

The RAB 5-year, limited warranty covers light output, driver performance and paint finish. RAB's warranty is subject to all terms and conditions found at [rablighting.com/warranty](http://rablighting.com/warranty).

# H22 Field-Adjustable High Bay with Adjustable Beam Angle **RAB**

## DIMENSIONS

### H22 (150/120/100W)

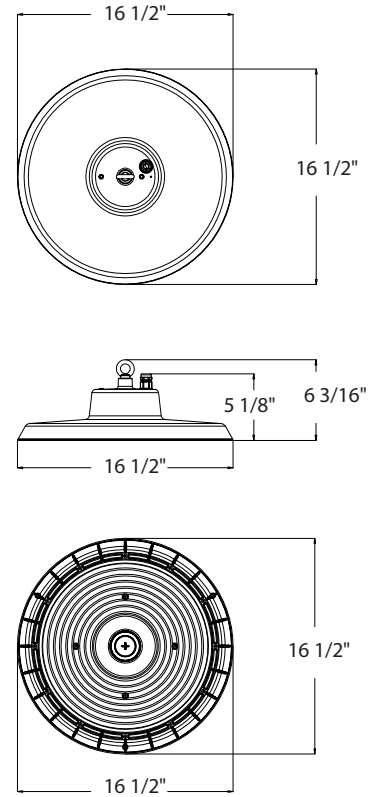
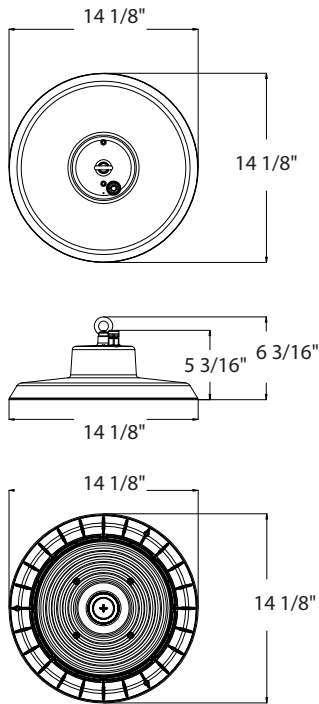
Weight (120-277V): 5.56 lbs

Weight (480V): 6.57 lbs

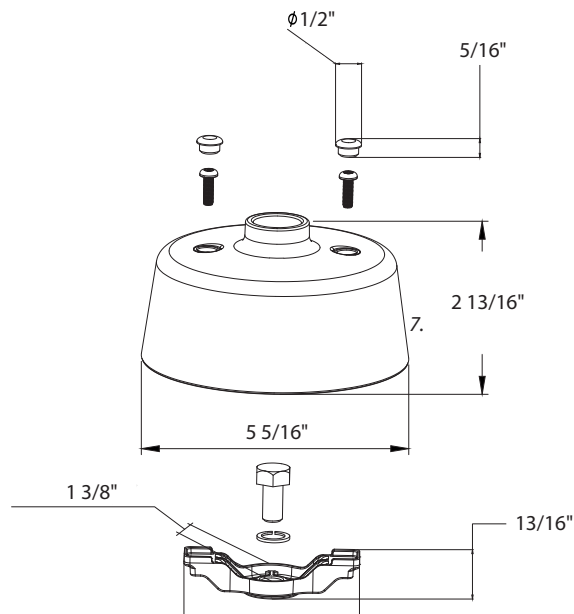
### H22XL (240/200/150W)

Weight (120-277V): 7.58 lbs

Weight (480V): 8.64 lbs












### H22 PM KIT



# H22 Field-Adjustable High Bay with Adjustable Beam Angle **RAB**

## ACCESSORIES

Image	SKU#	UPC	Description	Weight
	H22 PM KIT	192552039741	H22 PENDANT MOUNT KIT	0.59 lbs
	MVS50	192552025997	MVS 15M HEIGHT IP65 OCCUPANCY SENSOR	0.10 lb
	MVS50/LCB	192552014168	LC BLUE CONTROLLER WITH INTEGRATED MVS SENSOR	0.14 lb
	PIR40	192552026000	PIR SENSOR MAX 12M HEIGHT 1P66	0.10 lb
	PIR40/LCB	192552014151	LC BLUE CONTROLLER WITH INTEGRATED PIR SENSOR	0.12 lb
	EMHB30	192552030137	BATTERY BACKUP 30W FOR 150W-240W HIGHBAY WHITE	5.21 lbs
	EMHB30/LCB	192552036429	BATTERY BACKUP 30W FOR 150W-240W HIGHBAY LC BLUE WHITE	5.21 lbs
	EMHB40/480	192552016834	BATTERY BACKUP 40W 277-480Vac, 400VDC WHITE	5.21 lbs
	MSR1	192552026055	MULTI SENSOR REMOTE IP20	0.25 lb

## ORDERING MATRIX

### H22

Family	Size/Wattage	Color Temperature	Finish	Beam Angle	Driver
H22					
BLANK XL	150/120/100W 240/200/150W	BLANK 3000/4000/5000K, CCT Adjustable	BLANK White	BLANK 60°/90°/105°, Adjustable Beam Angle	BLANK /480 120-277V, 0-10V Dimming 480V, 0-10V Dimming