

# FXLED Field-Adjustable Floodlights



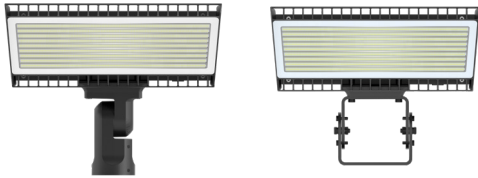
FXLEDXS / FXLEDS



FXLEDM



FXLEDL



## Field-Adjustable CCT and Wattages



0-10V



100,000  
HOURS



WET  
RATED



IP RATING



FIELD  
ADJUSTABLE

PROJECT:

DATE:

TYPE:

PREPARED BY:



## KEY FEATURES

- \* Available in following selectable wattages:  
FXLEDXS: **80/60/40W**  
FXLEDS: **168/132/97/69W**  
FXLEDM: **346/213W**  
FXLEDL: **534/445W**
- \* CCT: Selectable **5000K/4000K**
- \* Available in 120-277V and 480V
- \* **Slipfitter** and **Trunnion** available on all models
- \* Available in bronze and white finish
- \* UL listed for wet location
- \* **IP66** listed
- \* **0-10V** dimmable

## TECHNICAL SPECIFICATIONS

### COMPLIANCE

#### UL Listed

Suitable for wet locations. Suitable for mounting within 4 feet of the ground.

#### DLC Listed

This product is listed by Design Lights Consortium (DLC) as an ultra-efficient premium product that qualifies for the highest tier of rebates from DLC Member Utilities. Designed to meet DLC 5.1 requirements.

### PERFORMANCE

#### Lifespan

100,000-hour LED lifespan based on IES LM-80 results and -21 calculations

### LED CHARACTERISTICS

#### LEDs

Long-life, high-efficacy, surface-mount LEDs

#### Color Uniformity

RAB's range of Correlated Color Temperature follows the guidelines of the American National Standards for Specifications for the Chromaticity of Solid State Lighting (SSL) Products, ANSI C78.377-2017.

#### Color Consistency

7-step MacAdam Ellipse binning to achieve consistent fixture-to-fixture color

#### Color Stability

LED color temperature is warranted to shift no more than 200K in color temperature over a 5-year period

### CONSTRUCTION

#### Cold Weather Starting

Minimum starting temperature is -40°C (-40°F)

#### Maximum Ambient Temperature

Suitable for use in up to 40°C (104°F)

#### Housing

Die-cast aluminum

#### Mounting

Slipfitter, Trunnion

#### Tilt increment:

Slipfitter and Knuckle: 5°

Trunnion: 30°

#### Lens

Ultra-clear tempered glass

#### Reflector

FXLEDXS, FXLEDS and FXLEDM: Vacuum metalized polycarbonate

FXLEDL: Vacuum metalized die cast aluminum alloy

#### Gaskets

High-temperature silicone gaskets

#### Effective Projected Area

FXLEDXS / FXLEDS: 0.5 (Slipfitter), 0.37 (Trunnion)

FXLEDM: 0.72 (Slipfitter), 0.59 (Trunnion)

FXLEDL: 1.02 (Slipfitter and Trunnion)

#### IP Rating

Ingress protection rating of IP66 for dust and water

#### Vibration Rating

3G vibration rating per ANSI C136.31

## TECHNICAL SPECIFICATIONS (CONTINUED)

### ELECTRICAL

**Drivers:**

Constant Current, Class 2, 120-277V, 50/60 Hz

**FXLEDXS @ 5000K/4000K**

**40W:** 120V: 0.34A, 208V: 0.20A, 240V: 0.17A, 277V: 0.15A

**60W:** 120V: 0.53A, 208V: 0.30A, 240V: 0.25A, 277V: 0.22A

**80W:** 120V: 0.72A, 208V: 0.40A, 240V: 0.34A, 277V: 0.30A

**FXLEDS @ 5000K/4000K**

**69W:** 120V: 0.58A, 208V: 0.34A, 240V: 0.29A, 277V: 0.25A

**97W:** 120V: 0.81A, 208V: 0.47A, 240V: 0.41A, 277V: 0.35A

**132W:** 120V: 1.10A, 208V: 0.64A, 240V: 0.55A, 277V: 0.48A

**168W:** 120V: 1.40A, 208V: 0.81A, 240V: 0.70A, 277V: 0.61A

**FXLEDM @ 5000K/4000K**

**213W:** 120V: 1.78A, 208V: 1.03A, 240V: 0.89A, 277V: 0.77A

**346W:** 120V: 2.84A, 208V: 1.67A, 240V: 1.45A, 277V: 1.25A

**FXLEDL @ 5000K/4000K**

**445W:** 120V: 3.71A, 208V: 2.14A, 240V: 1.86A, 277V: 1.61A

**534W:** 120V: 4.45A, 208V: 2.57A, 240V: 2.23A, 277V: 1.93A

**Surge Protection**

6kV

**Drivers:**

Constant Current, Class 1, 480V, 50/60 Hz

**FXLEDXS @ 5000K/4000K**

**40W:** 480V: 0.11A

**60W:** 480V: 0.14A

**80W:** 480V: 0.19A

**FXLEDS @ 5000K/4000K**

**69W:** 480V: 0.15A

**97W:** 480V: 0.21A

**132W:** 480V: 0.28A

**168W:** 480V: 0.35A

**FXLEDM @ 5000K/4000K**

**213W:** 480V: 0.45A

**346W:** 480V: 0.72A

**FXLEDL @ 5000K/4000K**

**445W:** 480V: 0.93A

**534W:** 480V: 1.12A

**Dimming Driver:**

Driver includes dimming control wiring for 0-10V dimming systems.

Requires separate 0-10V DC dimming circuit. Dims down to 10%.

Note: All values are typical (tolerance +/- 10%)

### CONSTRUCTION (CONTINUED)

**Green Technology**

Mercury and UV free. RoHs-compliant components.

**Finish**

Formulated for high durability and long lasting color. Available in bronze & white finish.

### OPTICAL

**NEMA Type**

NEMA Beam Spread of 7H x 6V

### OTHER

**Warranty**

RAB warrants that our LED products will be free from defects in materials and workmanship for a period of ten (10) years from the date of delivery to the end user, including coverage of light output, color stability, driver performance and fixture finish. RAB's warranty is subject to all terms and conditions found at [rablighting.com/warranty](http://rablighting.com/warranty). to be made BAA compliant.

**Buy American Act Compliance:**

RAB values USA manufacturing! Upon request, RAB may be able to manufacture this product to be compliant with the BUY American Act (BAA). Please contact customer service to request a quote for the product to be made BAA compliant.

# FXLED Field-Adjustable Floodlights

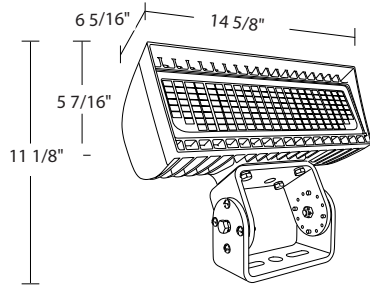


## DIMENSIONS (CONTINUED)

**FXLEDXST : 80W/60W/40W**

**FXLEDST : 169W/132W/97W/69W**

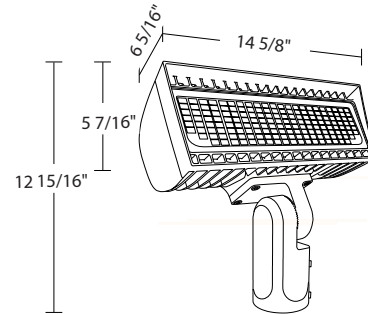
Weight 20.2 lbs (With Trunnion Mount)



**FXLEDXSSF : 80W/60W/40W**

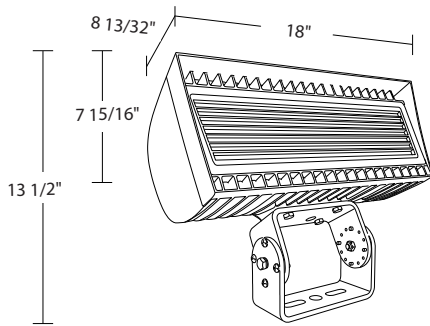
**FXLEDSSF : 169W/132W/97W/69W**

Weight 16.5 lbs (With Slipfitter Mount)



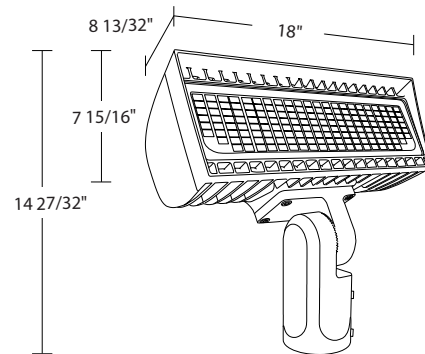
**FXLEDMT : 346W/213W**

Weight 35.6 lbs (With Trunnion Mount)



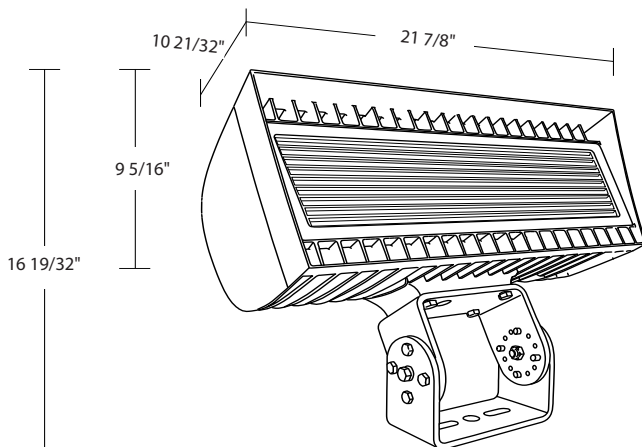
**FXLEDMSF : 346W/213W**

Weight 31.7 lbs (With Slipfitter mount)



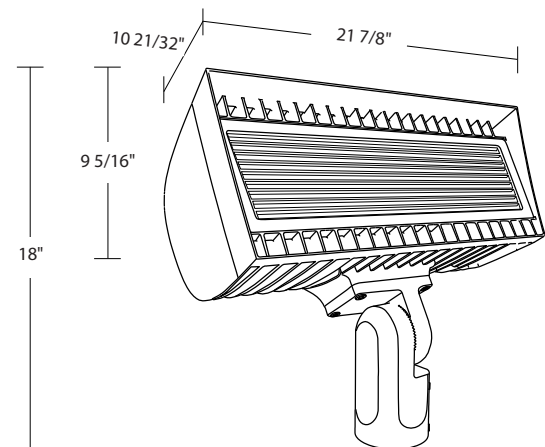
**FXLEDLT : 534W/445W**

Weight 59 lbs (With Trunnion Mount)



**FXLEDLSF : 534W/445W**

Weight 54.6 lbs (With Slipfitter Mount)



# FXLED Field-Adjustable Floodlights



## PERFORMANCE (CONTINUED)

FXLEDXS	5000K	4000K	5000K	4000K	5000K	4000K
FA wattage	80W	80W	60W	60W	40W	40W
Input Watts	84W	85.7W	62.8W	63.9W	39.7W	40.4W
Lumens	11,668	11,887	9,002	9,187	5,797	5,970
Lm/W	138.9	138.7	143.3	143.8	146.0	147.8
CRI	85	82	85	82	85	83
Voltage Ratings	120-277V					

FXLEDXS	5000K	4000K	5000K	4000K	5000K	4000K
FA wattage	80W	80W	60W	60W	40W	40W
Input Watts	83.3W	85W	62.2W	63.5W	39.4W	40.2W
Lumens	11,605	11,765	8,865	9,044	5,624	5,805
Lm/W	139.3	138.4	142.5	142.4	142.7	144.4
CRI	85	82	85	82	85	82
Voltage Ratings	480V					

FXLEDS	5000K	4000K	5000K	4000K	5000K	4000K	5000K	4000K
FA wattage	168W	168W	137W	137W	97W	97W	69W	69W
Input Watts	165.3W	167.3W	129W	129.3W	95.4W	95.9W	67.1W	67.5W
Lumens	21,649	22,010	17,832	17,898	13,888	13,934	10,206	10,220
Lm/W	131.0	131.5	138.3	138.4	145.6	145.3	152.1	151.5
CRI	81	82	81	81	82	81	81	81
Voltage Ratings	120-277V							

FXLEDS	5000K	4000K	5000K	4000K	5000K	4000K	5000K	4000K
FA wattage	168W	168W	137W	137W	97W	97W	69W	69W
Input Watts	168.3W	168.3W	91.5W	92.2W	71.3W	71.8W	47.5	47.8W
Lumens	22,308	21,083	13,127	10,531	10,536	8,581	7,257	6,141
Lm/W	132.5	125.2	143.5	114.2	147.7	119.5	152.8	128.5
CRI	81	81	82	82	82	82	82	82
Voltage Ratings	480V							

FXLEDM	5000K	4000K	5000K	4000K	5000K	4000K	5000K	4000K
FA wattage	346W	346W	213W	213W	346W	346W	213W	213W
Input Watts	343.2W	344.2W	210.2W	209W	334.5W	335.0W	205.7W	206W
Lumens	44,369	45,135	30,228	30,156	45,052	45,431	30,305	30,575
Lm/W	129.3	131.1	143.8	144.3	134.7	135.6	147.3	148.4
CRI	81	82	82	81	81	81	81	82
Voltage Ratings	120-277V				480V			

# FXLED Field-Adjustable Floodlights



## PERFORMANCE (CONTINUED)

FXLEDL	5000K	4000K	5000K	4000K	5000K	4000K	5000K	4000K
FA wattage	534W	534W	445W	445W	534W	534W	445W	445W
Input Watts	539.9	543.2	443.5	447.8	504.2	509.7	442.4	447.9
Lumens	72,667	71,624	63,204	61,887	70,461	71,580	63,023	64,058
Lm/W	134.6	131.9	142.5	138.2	139.6	140.4	142.5	143
CRI	82	81	82	81	81	81	81	81
Voltage Ratings	120-277V				480V			

## ORDERING MATRIX

### FXLED

Family	Housing Size	Color Temperature	Mounting	Finish	Voltage*	Options
<b>FXLED</b>						
XS S M L	Selectable (80W/60W/40W) Selectable (168W/132W/97W/69W) Selectable (346W/213W) Selectable (534W/445W)	<b>BLANK</b> FA 5000K/4000K	<b>SF</b> Slipfitter <b>T</b> Trunnion	<b>BLANK</b> Bronze <b>W</b> White	<b>BLANK</b> 120-277V <b>/480</b> 480V <i>*0-10V Dimming standard</i>	<b>BLANK</b> No Option <b>/7PR</b> 7 Pin Receptacle