

FGIMBAL Fire-Resistant Gimbal



4" FGIMBAL



6" FGIMBAL

4" & 6" Fire-Resistant Gimbal, CCT Adjustable, 120V, Triac Dimmable



PROJECT: _____

DATE: _____

TYPE: _____

PREPARED BY: _____



KEY FEATURES

- Available in 4" & 6" sizes
- Tested to UL 263 and ASTM E119 standards for 2-hour fire resistance
- 5 color temperatures in 1 SKU (2700/3000/3500/4000/5000K)
- Canless downlight; no recessed housing required
- 120V Triac dimmable down to 10%

PERFORMANCE

Catalog Number	Size	Shape	Trim	Equivalency	Lumens	Wattage	Efficacy	Dim Type	Input Voltage	Color Temperature	Environment
FGIMBAL4	4"	Round	Smooth	60W Incandescent	750 lm	9W	83 lm/W	TRIAC/ELV	120V	Field adjustable via dip switch 2700/3000/3500/4000/5000K	Wet
FGIMBAL6	6"	Round		75W Incandescent	1,300 lm	14W	93 lm/W				

4" FGIMBAL

Catalog Number	Wattage	CCT	Efficacy	Lumens	Equivalency Wattage
FGIMBAL4	9W	2700K	82 lm/W	693 lm	60W Incandescent
		3000K	84 lm/W	714 lm	
		3500K	90 lm/W	757 lm	
		4000K	93 lm/W	780 lm	
		5000K	90 lm/W	784 lm	

6" FGIMBAL

Catalog Number	Wattage	CCT	Efficacy	Lumens	Equivalency Wattage
FGIMBAL6	14W	2700K	88 lm/W	1166 lm	75W Incandescent
		3000K	92 lm/W	1203 lm	
		3500K	99 lm/W	1273 lm	
		4000K	101 lm/W	1319 lm	
		5000K	99 lm/W	1342 lm	

TECHNICAL SPECIFICATIONS

CONSTRUCTION

Product Type

Canless Fire Resistant Gimbal Downlight

Size

4" and 6"

Shape

Round

Enclosure Material

Metal

Finish

White trim with Red painted housing

Trim Style

Smooth

Lens

Single optic and full face lens for precise beam angle control.

COMPLIANCE

Listings

UL Listed

Environment

Suitable for use indoors and outdoors in dry, damp, or wet environments.

Fire Resistant

All models have been tested to UL 263 and ASTM E119 standards for 2-hour fire resistance

IC Rated

Suitable for direct contact with insulation.

Type IC inherently protected, suitable for direct contact to air permeable insulation and cULus listed for damp locations. Not for use in direct contact with spray foam insulation, consult NEMA LSD57-2013."

Air Tight

Housing certified Air Tight as per ASTM E283

Energy Star Approved

This product is ENERGY STAR® Certified.

California Title 24 JA8 Compliant

Can be used to conform with the requirements of California Title 24 Part 6.

California Energy Commission (CEC) Status

Lawful for Sales in California

NEC Compliant

Suitable for use in closets. Compliant with NEC Sec. 410.16 (A)(1) and 410.16 (C3).

IESNA LM-79 & LM80 Testing

RAB LED luminaires and LED components have been tested by an independent laboratory in accordance with IESNA LM-79 and LM-80.

RoHS

Mercury and UV free. RoHS-compliant components.

FCC

Complies with Part 15 of the FCC Rules

INSTALLATION

Mounting

No housing is required, two tension steel spring clips secure luminaire to ceiling. Accommodates ceiling thickness up to 15/16". New construction frames are available.

INSTALLATION (CONT.)

Remote Driver/Junction Box

Die formed metal driver/junction box with captive hinged junction box cover. Listed for Maximum of (4) 12AWG through branch circuit conductor suitable for 90° C permitted in box. Easy to wire in 2in/2out (plus ground) applications. (4) conduit pry-outs. (3) quick snap-in connectors for quick and reliable line voltage connections. Integral mounting facilitates direct mounting to building structure or mounting frame.

Cable

FT2 Plenum Rated Cable (per UL2043)

ELECTRICAL

Dimming

Yes, dimmable down to 10% on compatible TRIAC/ELV dimming systems.

See Dimmer Compatibility List.

Driver

Constant Current, Class 2

THD

≤20%

Power Factor

≥0.9

Input Voltage

120V

Operating Frequency

60Hz

Operating Temperature

-4°F to 104°F (-20°C to 40°C)

Flicker

5%

LED CHARACTERISTICS

Beam Angle

40°

Color Temperature

Field-Adjustable dip switch 2700/3000/3500/4000/5000K

Color Accuracy (CRI)

>90 CRI

R9 Value

High color performance with R9 greater than 50

Color Consistency

<7- (3000/3500/4000K); <4- (2700/5000K) step MacAdam Ellipse binning to achieve consistent fixture-to-fixture color

Color Stability

LED color temperature is warranted to shift no more than 200K in color temperature over a 5-year period

Color Uniformity

OTHER

Warranty

RAB warrants that our LED products will be free from defects in materials and workmanship for a period of five (5) years from the date of delivery to the end user, including coverage of light output, color stability, driver performance and fixture finish.

RAB's warranty is subject to all terms and conditions found at rablighting.com/warranty.

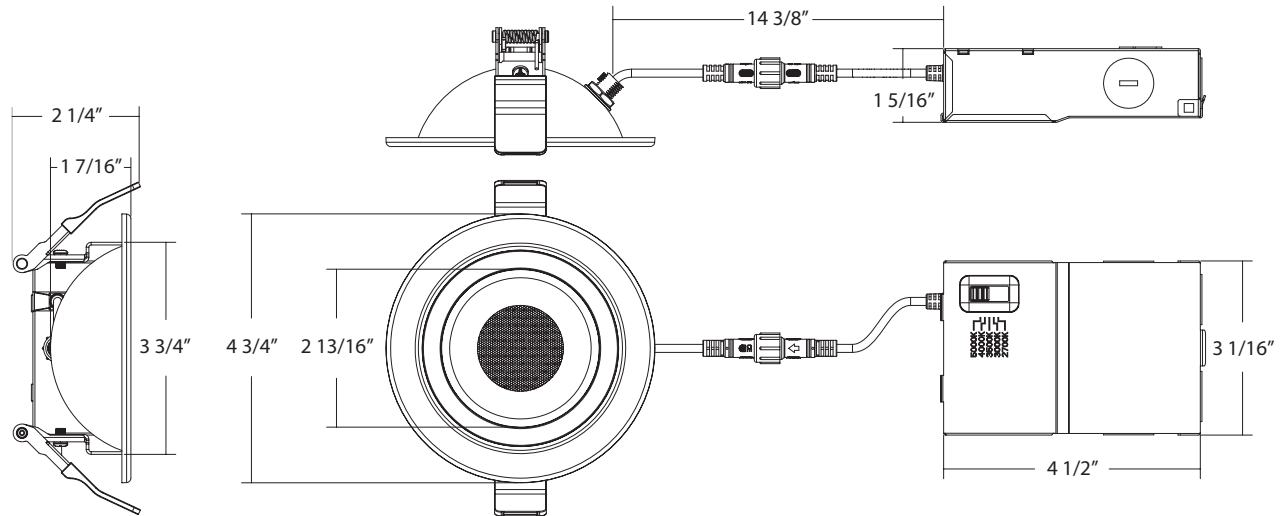
FGIMBAL Fire-Resistant Gimbal



DIMENSIONS

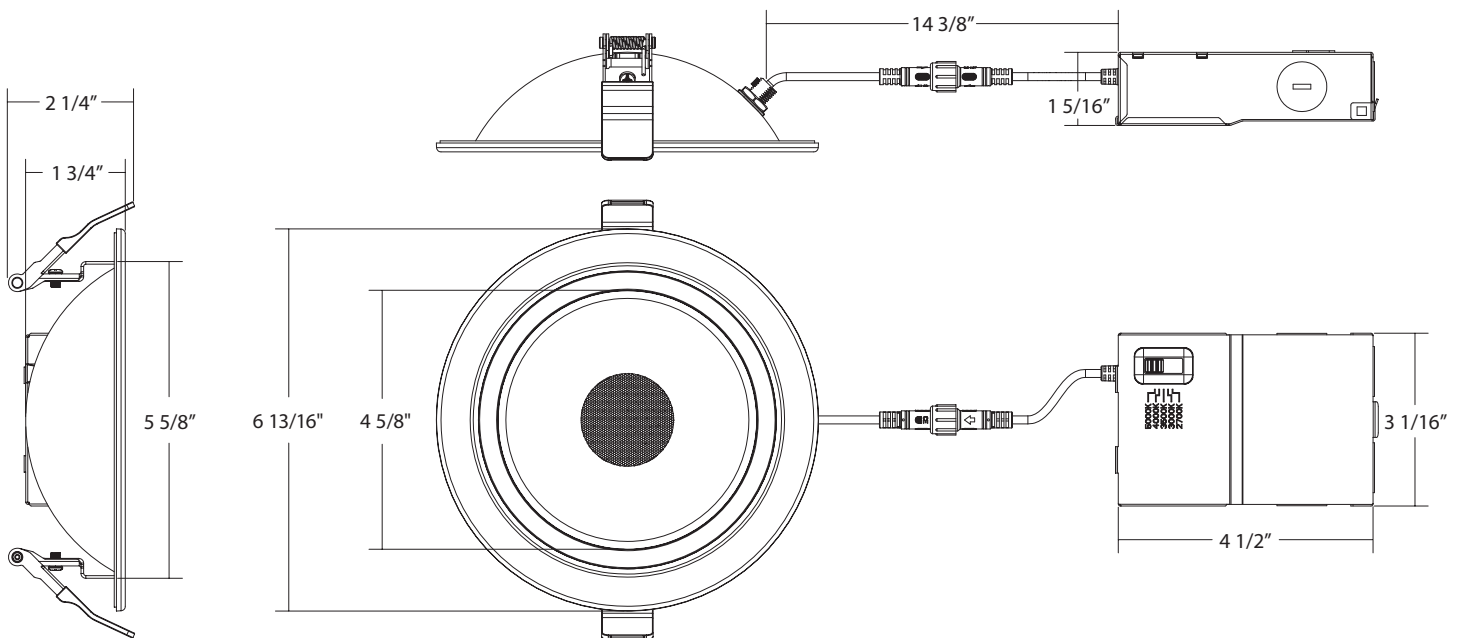
FGIMBAL4

Weight: 1.06 lbs



FGIMBAL6

Weight: 1.59 lbs



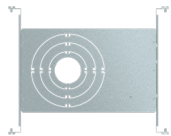
ACCESSORIES

Extension Cables



Catalog Number	UPC	Description
EXTCBL-FA-6	019813908502	6' extension cable
EXTCBL-FA-12	019813908519	12' extension cable
EXTCBL-FA-20	019813908526	20' extension cable

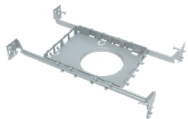
Mounting Plates



DLPLATE/WFR3468/NB



DLPLATE/WFR3456



DLPLATE/WFR4/NB/CL



DLPLATE/WFR6/NB/CL



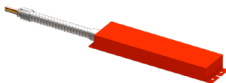
DLPLATE/WFR4



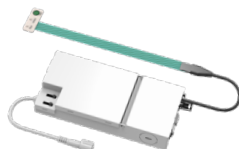
DLPLATE/WFR6

Catalog Number	UPC	Description
DLPLATE/WFR3468/NB	0192552000673	Mounting plate with nailer bar
DLPLATE/WFR3456	0192552025584	Mounting plate
DLPLATE/WFR4/NB/CL	0192552036993	4" Mounting plate with nailer bar and collar
DLPLATE/WFR6/NB/CL	0192552037006	6" Mounting plate with nailer bar and collar
DLPLATE/WFR4	192552039819	4" Mounting plate
DLPLATE/WFR6	192552039826	6" Mounting plate

Emergency Drivers



DRI-21-EMGR-DC-DC10



DRI-EMB-15S-LV

Catalog Number	UPC	Description
DRI-21-EMGR-DC-DC10	192552028264	Emergency backup driver
DRI-EMB-15S-LV	192552045650	Emergency backup driver

ORDERING INFO

Catalog Number	Model Number (Energy Star)	UPC	Case Pack
FGIMBAL4	DLG0031(FGIMBAL4)	192552039772	4
FGIMBAL6	DLG0032(FGIMBAL6)	192552039789	4

ORDERING MATRIX

Family	Size/Wattage	Shape	CRI/Color Temp	Driver	Finish	Trim
FGIMBAL						
	4 4", 9W 6 6", 14W	Blank Round	Blank 90CRI; Field-Adjustable 2700/3000/3500/4000/5000K	Blank 120V, TRIAC/ELV	Blank White + Red	Blank Smooth

DIMMER COMPATIBILITY LIST

Dimmers		Lamp Quantities						Dimming Level
Dimmer Brand	Dimmer Model	1	2	3	4	5	6	
LUTRON	SCL-153P	✓	✓	✓	✓	✓	✓	10-100%
LUTRON	DVCL-153P	✓	✓	✓	✓	✓	✓	10-100%
LEGRAND	DCL453PTCCCV6	✓	✓	✓	✓	✓	✓	10-100%
LUTRON	TGCL-153PH-WH	✓	✓	✓	✓	✓	✓	10-100%
LEVITON	R50-IPL06-10M	✓	✓	✓	✓	✓	✓	10-100%
LUTRON	DVWCL-153PH-WH	✓	✓	✓	✓	✓	✓	10-100%
RAB	XDIM	✓	✓	✓	✓	✓	✓	10-100%