

ECOMBO Exit Sign



ECOMBO



ECOMBO Black



ECOMBO
NYC-Approved



ECOMBO
Chicago-Approved

PROJECT: _____

DATE: _____

TYPE: _____

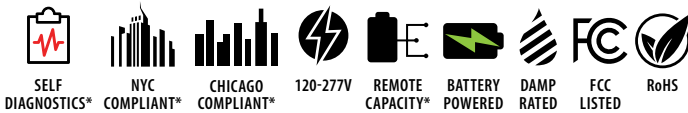
PREPARED BY: _____



KEY FEATURES

- Single, Double, or Universal faces with red or green letters
- Durable thermoplastic or steel sheet housing
- Remote head capable, see Remote Head Compatibility List
- Self-diagnostics available in select models
- Options with 90-120 minutes of emergency illumination
- Select models New York City or Chicago approved or compliant with California Title 20

Exit Sign Combo



*Select models

PERFORMANCE

Catalog Number	# of Faces	Housing Material	Housing Color	Letter Color	Arrow Direction	# of Heads	Battery Backup	Remote Capacity	Self Diagnostic	City Compliance
ECOMBO-1CH	Single Face	Steel Sheet	White	Red	No Arrow	2-Lamp Heads	120 minutes	No	No	Chicago
ECOMBO-1DACH	Single Face	Steel Sheet	White	Red	Double Arrow	2-Lamp Heads	120 minutes	No	No	Chicago
ECOMBO-1DARCH	Single Face	Steel Sheet	White	Red	Double Arrow	2-Lamp Heads	120 minutes	Yes	No	Chicago
ECOMBO-1LACH	Single Face	Steel Sheet	White	Red	Left Arrow	2-Lamp Heads	120 minutes	No	No	Chicago
ECOMBO-1LARCH	Single Face	Steel Sheet	White	Red	Left Arrow	2-Lamp Heads	120 minutes	Yes	No	Chicago
ECOMBO-1RACH	Single Face	Steel Sheet	White	Red	Right Arrow	2-Lamp Heads	120 minutes	No	No	Chicago
ECOMBO-1RARCH	Single Face	Steel Sheet	White	Red	Right Arrow	2-Lamp Heads	120 minutes	Yes	No	Chicago
ECOMBO-1RCH	Single Face	Steel Sheet	White	Red	No Arrow	2-Lamp Heads	120 minutes	Yes	No	Chicago
ECOMBO-CH	Universal Single/Double Face	Steel Sheet	White	Red	No Arrow	2-Lamp Heads	120 minutes	No	No	Chicago
ECOMBO-DACH	Universal Single/Double Face	Steel Sheet	White	Red	Double Arrow	2-Lamp Heads	120 minutes	No	No	Chicago
ECOMBO-DARCH	Universal Single/Double Face	Steel Sheet	White	Red	Double Arrow	2-Lamp Heads	120 minutes	Yes	No	Chicago
ECOMBO-LRACH	Universal Single/Double Face	Steel Sheet	White	Red	Left/Right Arrow	2-Lamp Heads	120 minutes	No	No	Chicago
ECOMBO-LRARCH	Universal Single/Double Face	Steel Sheet	White	Red	Left/Right Arrow	2-Lamp Heads	120 minutes	Yes	No	Chicago

ECOMBO Exit Sign



PERFORMANCE

Catalog Number	# of Faces	Housing Material	Housing Color	Letter Color	Arrow Direction	# of Heads	Battery Backup	Remote Capacity	Self Diagnostic	City Compliance
ECOMBO-RCH	Universal Single/ Double Face	Steel Sheet	White	Red	No Arrow	2-Lamp Heads	120 minutes	Yes	No	Chicago
ECOMBO-NY	Universal Single/ Double Face	Steel Sheet	White	Red	Field installable chevrons included	3-Lamp Heads	90 minutes	Yes	No	New York City
ECOMBO	Universal Single/ Double Face	Thermoplastic	White	Red	Field installable chevrons included	2-Lamp Heads	90 minutes	No	No	N/A
ECOMBO-BHR	Universal Single/ Double Face	Thermoplastic	Black	Red	Field installable chevrons included	2-Lamp Heads	90 minutes	Yes	Yes	N/A
ECOMBO-G	Universal Single/ Double Face	Thermoplastic	White	Green	Field installable chevrons included	2-Lamp Heads	90 minutes	No	No	N/A
ECOMBO-GH	Universal Single/ Double Face	Thermoplastic	White	Green	Field installable chevrons included	2-Lamp Heads	90 minutes	No	No	N/A
ECOMBO-GHR	Universal Single/ Double Face	Thermoplastic	White	Green	Field installable chevrons included	2-Lamp Heads	90 minutes	Yes	No	N/A
ECOMBO-GHRS	Universal Single/ Double Face	Thermoplastic	White	Green	Field installable chevrons included	2-Lamp Heads	90 minutes	Yes	Yes	N/A
ECOMBO-GHS	Universal Single/ Double Face	Thermoplastic	White	Green	Field installable chevrons included	2-Lamp Heads	90 minutes	No	Yes	N/A
ECOMBO-GR	Universal Single/ Double Face	Thermoplastic	White	Green	Field installable chevrons included	2-Lamp Heads	90 minutes	Yes	No	N/A
ECOMBO-GRS	Universal Single/ Double Face	Thermoplastic	White	Green	Field installable chevrons included	2-Lamp Heads	90 minutes	Yes	Yes	N/A
ECOMBO-GS	Universal Single/ Double Face	Thermoplastic	White	Green	Field installable chevrons included	2-Lamp Heads	90 minutes	No	Yes	N/A
ECOMBO-H	Universal Single/ Double Face	Thermoplastic	White	Red	Field installable chevrons included	2-Lamp Heads	90 minutes	No	No	N/A
ECOMBO-HR	Universal Single/ Double Face	Thermoplastic	White	Red	Field installable chevrons included	2-Lamp Heads	90 minutes	Yes	Yes	N/A
ECOMBO-HRS	Universal Single/ Double Face	Thermoplastic	White	Red	Field installable chevrons included	2-Lamp Heads	90 minutes	Yes	Yes	N/A
ECOMBO-HS	Universal Single/ Double Face	Thermoplastic	White	Red	Field installable chevrons included	2-Lamp Heads	90 minutes	No	Yes	N/A
ECOMBO-R	Universal Single/ Double Face	Thermoplastic	White	Red	Field installable chevrons included	2-Lamp Heads	90 minutes	Yes	No	N/A
ECOMBO-RS	Universal Single/ Double Face	Thermoplastic	White	Red	Field installable chevrons included	2-Lamp Heads	90 minutes	Yes	Yes	N/A
ECOMBO-S	Universal Single/ Double Face	Thermoplastic	White	Red	Field installable chevrons included	2-Lamp Heads	90 minutes	No	Yes	N/A

TECHNICAL SPECIFICATIONS

CONSTRUCTION

Product Type

Exit Combo

Shape

Rectangle

Housing Material

Thermoplastic, sheet metal

Panel Material

Thermoplastic, sheet metal, glass

Panel Color

White, black*

Letter Color

Red, green

Housing Color

White

Number of Faces

Single, universal single/double face

Arrow Direction

Various options

Arrow Material

Plastic, screen print, steel

Sign Format

Stencil, panel

Remote Capacity

Yes*

Number of Heads

2 Lamp Heads

Head Shape

Round, square

Remote Heads Replaceable

Yes*

ELECTRICAL

Input Voltage

120/277V

Operating Frequency

60Hz

Operating Temperature

32°F to 104°F (0°C to 40°C)

32°F to 122°F (0°C to 50°C) - NYC models

68°F to 122°F (20°C to 50°C) - Chicago models

Emergency Illumination

90 minutes*, 120 minutes (Chicago models)

Battery Backup

Yes*

Battery Type

Nickel Cadmium*

Battery Voltage

6V (Chicago models), 9.6V*

Recharge Time Required

24 hours*

Storage Temperature

68°F to 86°F (20°C to 30°C)

Storage Shelf Life

3 years before the initial charge. 5 years after initial charge.

Self Diagnostics

Yes*

INSTALLATION

Mounting Method

Back/Top

Mounting Type

Wall/Ceiling Mount

Cold Weather Rated

No

COMPLIANCE

Listings

UL924 Listed

Environment

Suitable for use in dry and damp environments.

IP Rating

Indoor

California Title 20 Compliant

Can be used to conform with the requirements of California Title 20.

California Title 24 JA8 Compliant

No

California Energy Commission (CEC) Status

Lawful for Sales in California

FCC

Complies with Part 15 of the FCC Rules.

OTHER

Warranty

RAB warrants that our LED products will be free from defects in materials and workmanship for a period of five (5) years from the date of delivery to the end user, including coverage of light output, color stability, driver performance and fixture finish.

RAB's warranty is subject to all terms and conditions found at rablighting.com/warranty.

Battery is prorated.

Note

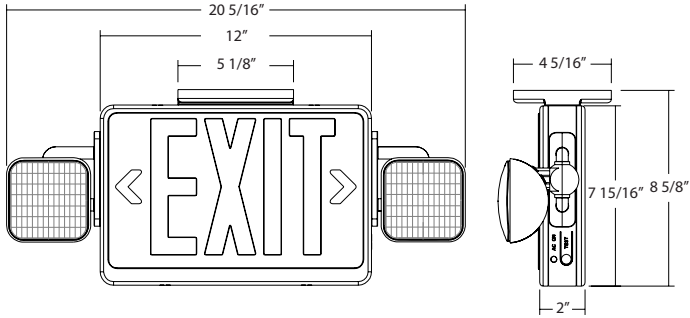
All values are typical (tolerance +/- 10%)

*Select models

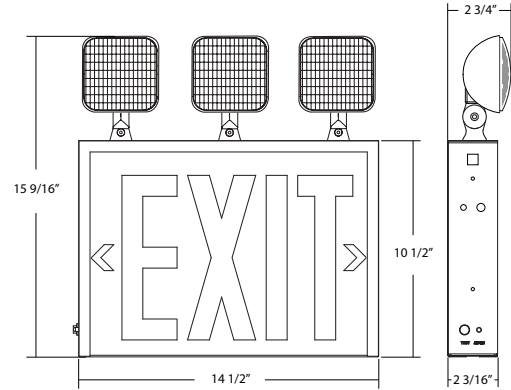
ECOMBO Exit Sign



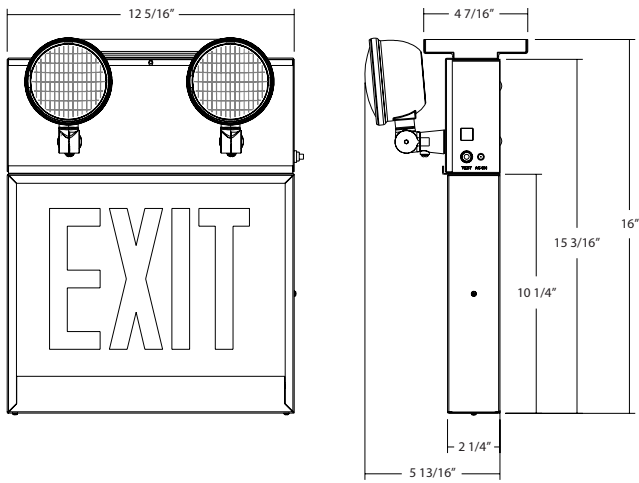
ECOMBO
Weight: 2.98 lbs



ECOMBO-NY
Weight: 5.49 lbs



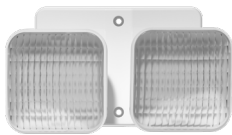
ECOMBO - Chicago Approved
Weight: 8.05 lbs



ACCESSORIES (SOLD SEPARATELY)



EREMOTE-1
EREMOTE-1H



EREMOTE
EREMOTE-H



EREMOTE-1HB



EREMOTE-B

Catalog Number	UPC	Description
EREMOTE-1	192552021869	Single remote head
EREMOTE-1H	192552021876	Single remote head high-output
EREMOTE	192552021906	Double remote head
EREMOTE-H	192552021913	Double remote head high-output

Catalog Number	UPC	Description
EREMOTE-1HB	192552033312	Single remote head high-output, black
EREMOTE-B	192552033329	Single remote head, black

ECOMBO Exit Sign



ACCESSORIES (SOLD SEPARATELY)



EREMOTEOUT-1



EREMOTEOUT

Catalog Number	UPC	Description
EREMOTEOUT-1	192552033336	Single remote head, outdoor
EREMOTEOUT	192552033343	Double remote head, outdoor



EREMOTEOUT-1H



EREMOTEOUT-H

Catalog Number	UPC	Description
EREMOTEOUT-1H	192552033350	Single remote head high-output, outdoor
EREMOTEOUT-H	192552033367	Double remote head high-output, outdoor



EREMOTEOUT-1HB



EREMOTEOUT-HB

Catalog Number	UPC	Description
EREMOTEOUT-1HB	192552033374	Single remote head high-output, black, outdoor
EREMOTEOUT-HB	192552033381	Double remote head high-output, outdoor



Catalog Number	UPC	Description
EREMOTE-RTS	192552021944	Emergency remote test button switch

ORDERING MATRIX

Family	Face	Heads	Exit Sign Letter Color	Housing Color	High Lumen	Remote Capacity	Self Diagnostics
ECOMBO	-						
	Blank Universal Faces	Blank 2 Heads	Blank Red Green G	Blank White Black B	Blank High Lumen H	Blank Remote Capacity R	Blank Self Diagnostics S

Family	Face	Heads	Exit Sign Letter Color	Arrows	Remote Capacity	Panel	City
ECOMBO	-						CH
	Blank 1 Universal Faces 1 Face	Blank 2 Heads	Blank Red	Blank No Arrow Double Arrow Left Arrow Right Arrow Left Right Arrow	Blank Remote Capacity R	Blank White	CH Chicago

ECOMBO Exit Sign



ORDERING MATRIX (CONT.)

Family	Face	Heads	Exit Sign Letter Color	Panel	Remote Capacity	State
ECOMBO	-					NY
	Blank Universal Faces	Blank 3 Heads	Blank Red	Blank White	Blank Remote Capacity	NY New York