

CURV Field-Adjustable Surface Mount



CRVFAD

CRVFAD Decorative Flush Mount



PROJECT: _____

DATE: _____

TYPE: _____

PREPARED BY: _____



KEY FEATURES

- Twin ring decorative design to upgrade traditional fixtures
- 5 Selectable color temperatures (2700/3000/3500/4000/5000K)
- Available with 120V or 120-277V driver with options for TRIAC or 0-10V dimming
- Motion sensor and emergency battery backup versions available
- Multiple sizes, 12", 14", and 18"
- Uniform glare-free light distribution
- Ideal for hospitality and multi-family residential applications
- Suitable for wet locations
- 50,000-Hour lifespan
- 5 Year, No-Compromise Warranty

PERFORMANCE

Catalog Number	Size	Equivalency	Input Wattage	Input Voltage	Lumens	Efficacy	L70 Lifespan	Dimming Protocol	Emergency Battery	Sensor
CRVFAD-12R-16-9CCT-120-BN	12"	75W Incandescent	16W	120V	1,100 lm	69 lm/W	50,000	TRIAC/ELV	---	---
CRVFAD-12R-16-9CCT-UNV-BN				120-277V	1,120 lm	70 lm/W	50,000	0-10V	---	---
CRVFAD-12R-16-9CCT-UNV-BN/MVS				120-277V	1,100 lm	69 lm/W	50,000	0-10V	---	Microwave
CRVFAD-12R-16-9CCT-UNVT-BN/EM				120-277V	1,120 lm	70 lm/W	50,000	TRIAC/ELV	Yes	---
CRVFAD-12R/MVS/EM				120-277V	1,100 lm	69 lm/W	50,000	0-10V	Yes	Microwave
CRVFAD-14R-20-9CCT-120-BN	14"	125W Incandescent	20W	120V	1,400 lm	70 lm/W	50,000	TRIAC/ELV	---	---
CRVFAD-14R-20-9CCT-UNV-BN				120-277V	1,400 lm	70 lm/W	50,000	0-10V	---	---
CRVFAD-14R-20-9CCT-UNV-BN/MVS				120-277V	1,400 lm	70 lm/W	50,000	0-10V	---	Microwave
CRVFAD-14R-20-9CCT-UNVT-BN/EM				120-277V	1,400 lm	70 lm/W	50,000	TRIAC/ELV	Yes	---
CRVFAD-14R/MVS/EM				120-277V	1,400 lm	70 lm/W	50,000	0-10V	Yes	Microwave
CRVFAD-18R-32-9CCT-120-BN	18"	150W Incandescent	32W	120V	2,200 lm	69 lm/W	50,000	TRIAC/ELV	---	---
CRVFAD-18R-32-9CCT-UNV-BN				120-277V	2,200 lm	69 lm/W	50,000	0-10V	---	---
CRVFAD-18R-32-9CCT-UNV-BN/MVS				120-277V	2,200 lm	69 lm/W	50,000	0-10V	---	Microwave
CRVFAD-18R-32-9CCT-UNV-BN/EM				120-277V	2,200 lm	69 lm/W	50,000	0-10V	Yes	---
CRVFAD-18R/MVS/EM				120-277V	2,200 lm	69 lm/W	50,000	0-10V	Yes	Microwave

CURV Field-Adjustable Surface Mount



TECHNICAL SPECIFICATIONS

CONSTRUCTION

Product Type	Lens
Flush mount	Frosted Polycarbonate with smooth diffuse illumination
Fixture Shape	Beam Angle
Round	130°
Fixture Housing	
Metal decorative twin ring design	
Fixture Finish	
Brushed Nickel	

INSTALLATION

Mounting
Surface mount directly to junction box using key holes located on fixture housing

ELECTRICAL

THD
≤20%
Power Factor
≥0.9
Input Voltage
120V; 120V-277V
Operating Frequency
60Hz, 50/60Hz
Operating Temperature
-4°F to 104°F (-20°C to 40°C)

COMPLIANCE

Listing
UL Listed
Environment Rating
Wet location
IP Rating
IP64
T24 JA8 Compliant
Can be used to conform with the requirements of California Title 24 Part 6
FCC
Complies with Part 15 of the FCC Rules.
RoHS
Mercury and UV free. RoHS-compliant components.

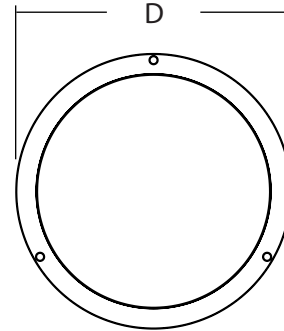
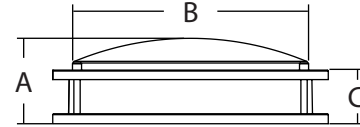
OTHER

Warranty
RAB warrants that our LED products will be free from defects in materials and workmanship for a period of five (5) years from the date of delivery to the end user, including coverage of light output, color stability, driver performance and fixture finish.

RAB's warranty is subject to all terms and conditions found at rablighting.com/warranty.

DIMENSIONS

CRVFAD 16/20/32W



CRVFAD	Weight	A	B	C	D
16W	2 lbs	3 3/4"	10 1/4"	2 3/8"	12"
20W	2.4 lbs	3 15/16"	12 1/4"	2 3/8"	14"
32W	4.4 lbs	4 3/8"	16 3/16"	2 1/2"	17 3/4"

EMERGENCY BACK UP

Emergency Application		
Wattage	Time	Initial Lumen
4W	90 Minutes	320lm
8W	90 Minutes	650lm

SKUs	
Wattage	SKUs
4W	CRVFAD-12R-16-9CCT-UNVT-BN/EM
	CRVFAD-12R/MVS/EM
8W	CRVFAD-14R-20-9CCT-UNVT-BN/EM
	CRVFAD-14R/MVS/EM
	CRVFAD-18R-32-9CCT-UNV-BN/EM
	CRVFAD-18R/MVS/EM

CURV Field-Adjustable Surface Mount



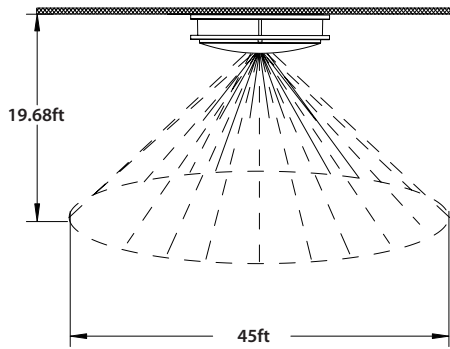
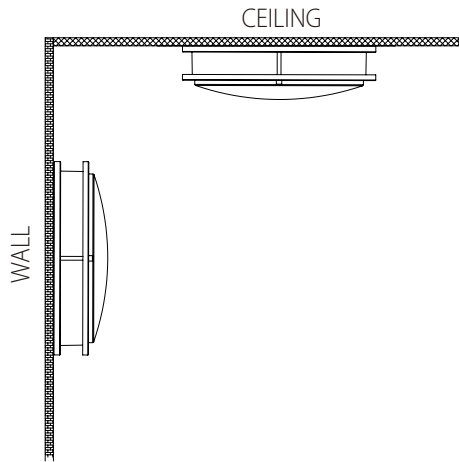
PHOTOMETRIC DATA

Catalog Number	Rated Wattage (W)	CCT (K)	Lumens (lm)	Efficacy (lm/W)	EQ (W)	EM Mode Watt (W)	EM Mode Flux (lm)
CRVFAD-12R-16-9CCT-120-BN	16	2700	1100	68.8	75		
CRVFAD-12R-16-9CCT-UNV-BN		3000	1120	70.0			
CRVFAD-12R-16-9CCT-UNV-BN/MVS		3500	1150	72.0			
		4000	1170	73.0			
		5000	1140	71.0			
CRVFAD-12R-16-9CCT-UNVT-BN/EM		2700	1159	66.6		8	653
CRVFAD-12R/MVS/EM		3000	1290	75.0		8	731
		3500	1347	79.7		8	750
		4000	1357	79.3		8	743
		5000	1289	74.1		8	718
CRVFAD-14R-20-9CCT-120-BN	20	2700	1400	70.0	100		
CRVFAD-14R-20-9CCT-UNV-BN		3000	1440	72.0			
CRVFAD-14R-20-9CCT-UNV-BN/MVS		3500	1480	74.0			
		4000	1500	75.0			
		5000	1460	73.0			
CRVFAD-14R-20-9CCT-UNVT-BN/EM		2700	1435	66.8		8	659
CRVFAS-14R/MVS/EM		3000	1593	74.8		8	733
		3500	1678	80.7		8	754
		4000	1689	80.1		8	747
		5000	1604	74.6		8	721
CRVFAD-18R-32-9CCT-120-BN	32	2700	2240	70.0	150		
CRVFAD-18R-32-9CCT-UNV-BN		3000	2260	70.5			
CRVFAD-18R-32-9CCT-UNV-BN/MVS		3500	2300	72.0			
		4000	2340	73.0			
		5000	2270	71.0			
CRVFAD-18R-32-9CCT-UNV-BN/EM		2700	2424	74.3		8	660
CRVFAD-18R/MVS/EM		3000	2602	80.1		8	743
		3500	2780	87.7		8	763
		4000	2800	87.0		8	747
		5000	2693	82.6		8	735

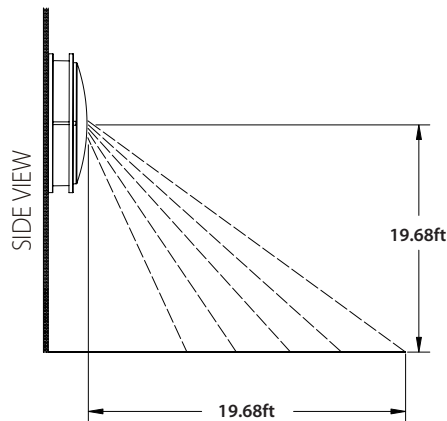
CURV Field-Adjustable Surface Mount



SENSOR DETECTION RANGE



Ceiling Mount



Wall Mount

MICROWAVE OCCUPANCY SENSOR

The occupancy sensor default sensing will be automatically controlling the fixture to turn on or off. See factory settings below, optional remote sold separately for custom settings.

Catalog Number: **MSR1** (sold separately)

Factory Settings:

- Brightness: **100%**
- Hold Time: **10 minutes**
- Sensitivity: **100%**
- Stand-by time: **+∞**
- Stand-by brightness: **50%**

To disable the sensor, use the MSR1 remote (sold separately). Power on the fixture and press the Red power button twice to disable the sensor.



CURV Field-Adjustable Surface Mount



ORDERING INFO

Catalog Number	UPC	Case Pack
CRVFAD-12R-16-9CCT-120-BN	192552003223	2
CRVFAD-12R-16-9CCT-UNV-BN	192552018630	2
CRVFAD-12R-16-9CCT-UNV-BN/MVS	192552003247	2
CRVFAD-12R-16-9CCT-UNVT-BN/EM	192552018609	2
CRVFAD-12R/MVS/EM	192552039833	2
CRVFAD-14R-20-9CCT-120-BN	192552013321	2
CRVFAD-14R-20-9CCT-UNV-BN	192552018647	2
CRVFAD-14R-20-9CCT-UNV-BN/MVS	192552013352	2
CRVFAD-14R-20-9CCT-UNVT-BN/EM	192552018616	2
CRVFAD-14R/MVS/EM	192552039840	2
CRVFAD-18R-32-9CCT-120-BN	192552003230	2
CRVFAD-18R-32-9CCT-UNV-BN	192552018654	2
CRVFAD-18R-32-9CCT-UNV-BN/MVS	192552003254	2
CRVFAD-18R-32-9CCT-UNV-BN/EM	192552018623	2
CRVFAD-18R/MVS/EM	192552043595	2

ORDERING MATRIX

Family	Size	Shape	Wattage	CRI/Color Temp	Driver	Fixture Finish	Sensor
CRVFAD	-	R	-	9CCT		W	
	18 18" R	Round	32 32W	9CCT 90 CRI, CCT Selectable	120 120V	BN Brushed Nickel	Blank None
	14 14"		20 20W		UNV 120-277V	/MVS Microwave Sensor	
	12 12"		16 16W				

CURV Field-Adjustable Surface Mount



Dimmer Compatibility List

Triac Dimming Models

Dimmers		Lamp Quantities				
Dimmer Brand	Dimmer Model	1	2	4	6	10
LUTRON	MACL-153M	✓	✓	✓	✓	✓
LUTRON	SCL-153P	✓	✓	✓	✓	✓
LEVITON	6674	✓	✓	✓	✓	✓
LUTRON	DVCL-153P	✓	✓	✓	✓	✓
LEVITON	6672	✓	✓	✓	✓	✓
LEGRAND	RHCL453PTC	✓	✓	✓	✓	✓
LEGRAND	DCL453PTCCCV6	✓	✓	✓	✓	✓
LEGRAND	HCL453PTCCCV6	✓	✓	✓	✓	✓
LUTRON	CTCL-153PDH-WH	✓	✓	✓	✓	✓
LUTRON	TGCL-153PH-WH	✓	✓	✓	✓	✓
LEVITON	R12-06672-1LW	✓	✓	✓	✓	✓
LEVITON	R50-IPL06-10M	✓	✓	✓	✓	✓
LUTRON	DVWCL-153PH-WH	✓	✓	✓	✓	✓

0-10V Dimming Models

	Dimmer Brand	Dimmer Model
0-10V	LEVITON	IP710-LFZ
	Easton/Cooper	DF10P-C1
	LUTRON	DVSTV-WH

Visit www.rablighting.com for periodic updates to this list or contact us at 888-722-1000 for questions or comments.

*Motion Sensor Models are not dimming compatible